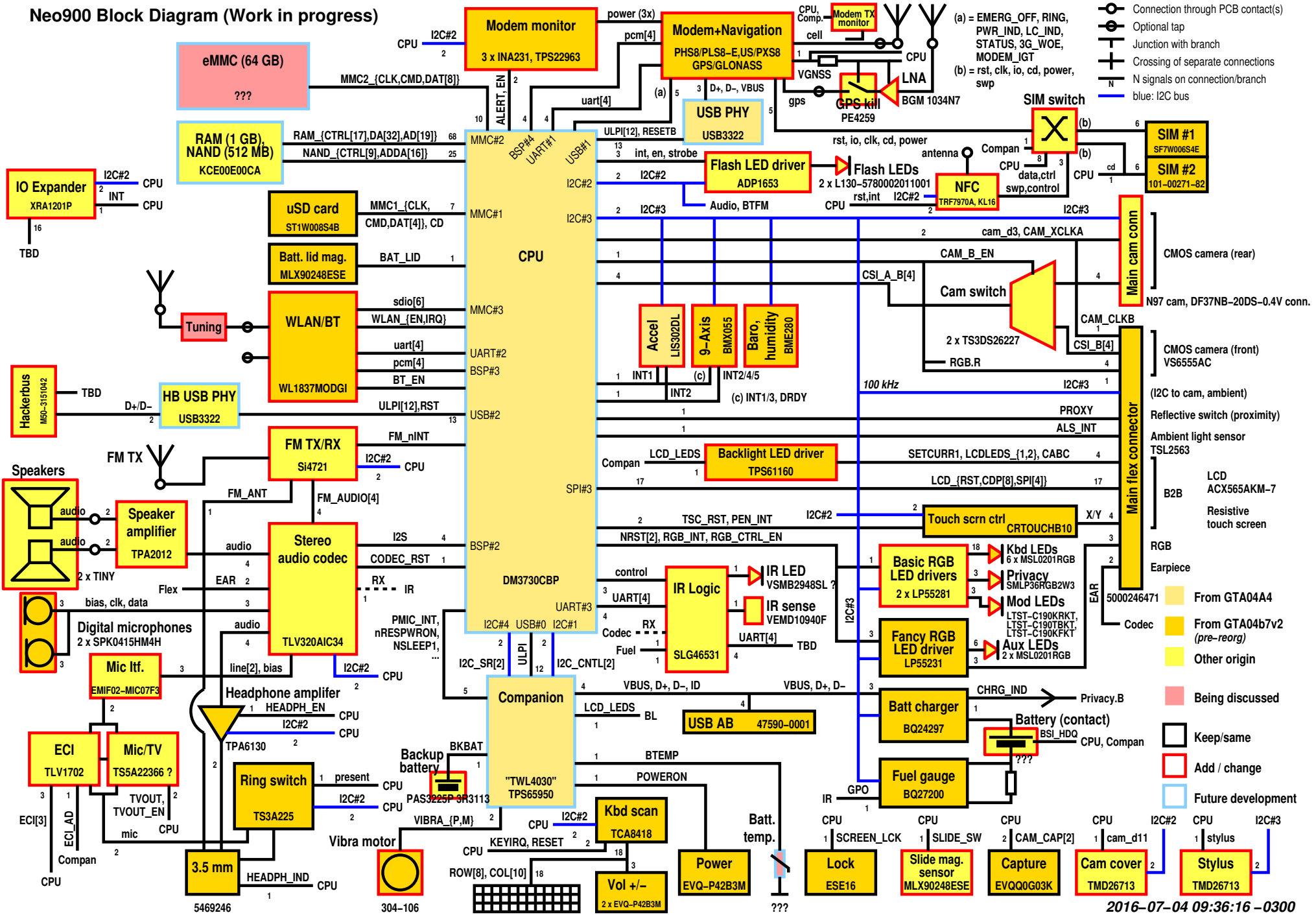


# Neo900 Block Diagram (Work in progress)



- (a) = EMERG\_OFF, RING, PWR\_IND, LC\_IND, STATUS, 3G\_WOE, MODEM\_JGT
- (b) = rst, clk, io, cd, power, swp
- Connection through PCB contact(s)
- Optional tap
- ⊕ Junction with branch
- ⊕ Crossing of separate connections
- ⊕ N signals on connection/branch
- blue: I2C bus