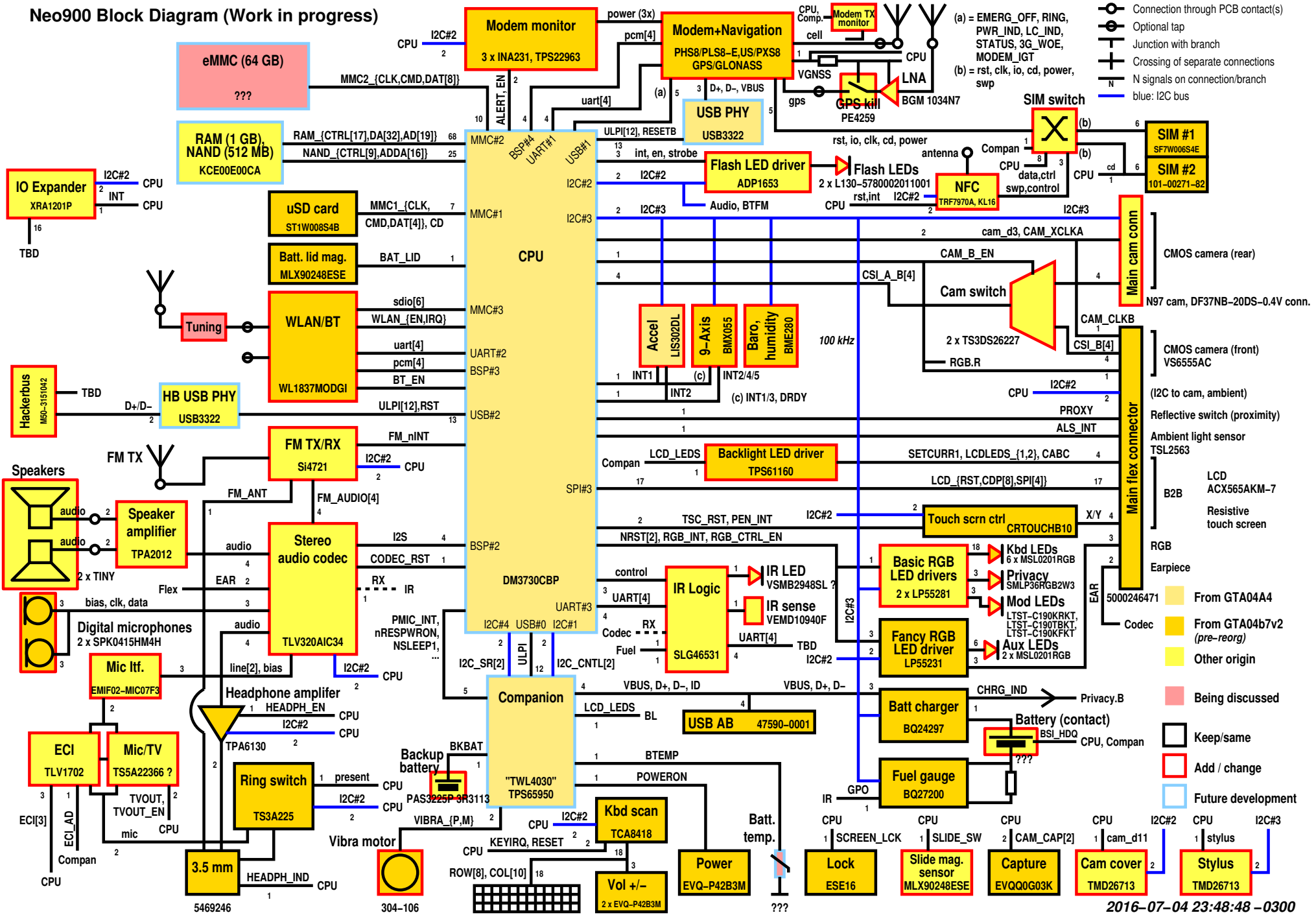


Neo900 Block Diagram (Work in progress)



- (a) = EMERG_OFF, RING, PWR_IND, LC_IND, STATUS, 3G_WOE, MODEM_JGT
- (b) = rst, clk, io, cd, power, swp
- Connection through PCB contact(s)
- ⊙ Optional tap
- ⊕ Junction with branch
- ⊗ Crossing of separate connections
- N signals on connection/branch
- blue: I2C bus