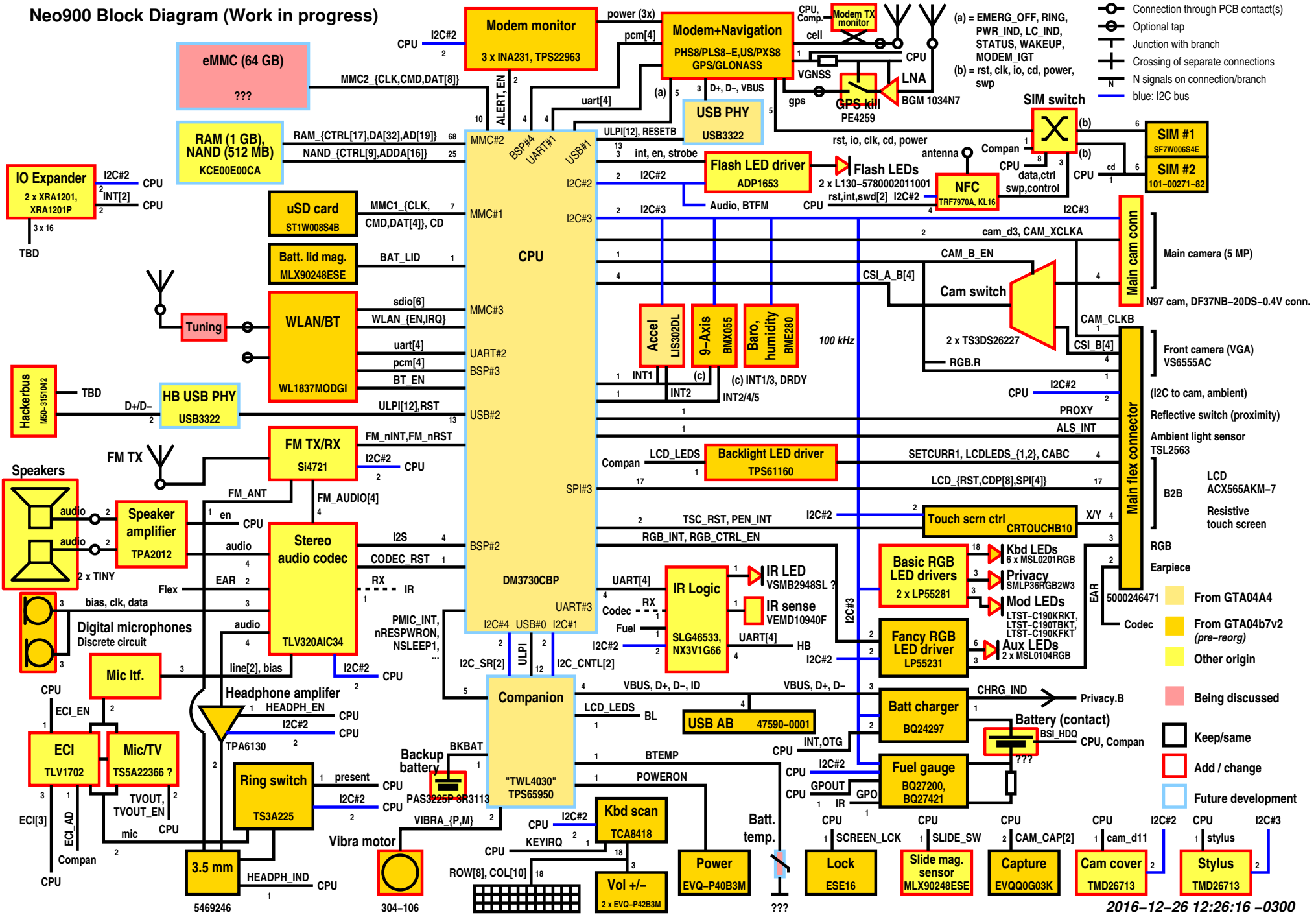


Neo900 Block Diagram (Work in progress)



- (a) = EMERG_OFF, RING, PWR_IND, LC_IND, STATUS, WAKEUP, MODEM_IQT
- (b) = rst, clk, io, cd, power, swp
- Connection through PCB contact(s)
- Optional tap
- ⊕ Junction with branch
- ⊕ Crossing of separate connections
- N signals on connection/branch
- blue: I2C bus