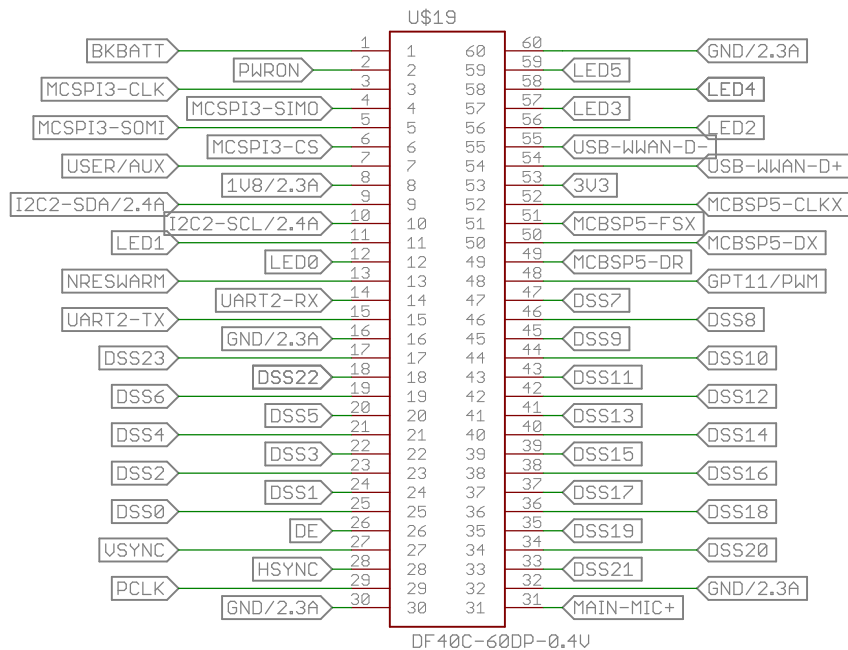
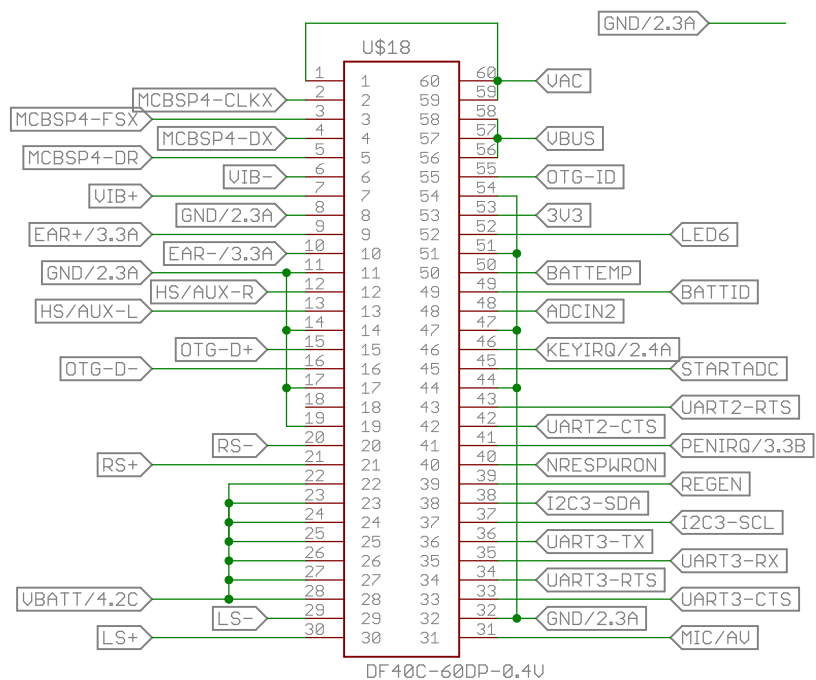


to be adjusted to lower board connector



no longer needed:
DSS
keyirq, penirq

additionally needed:
main camera CSI-A

lockswitch: 113 cam-focus: 58 cam-trigger: 69

B2B to lower board

TITLE: GTA04b7_upper

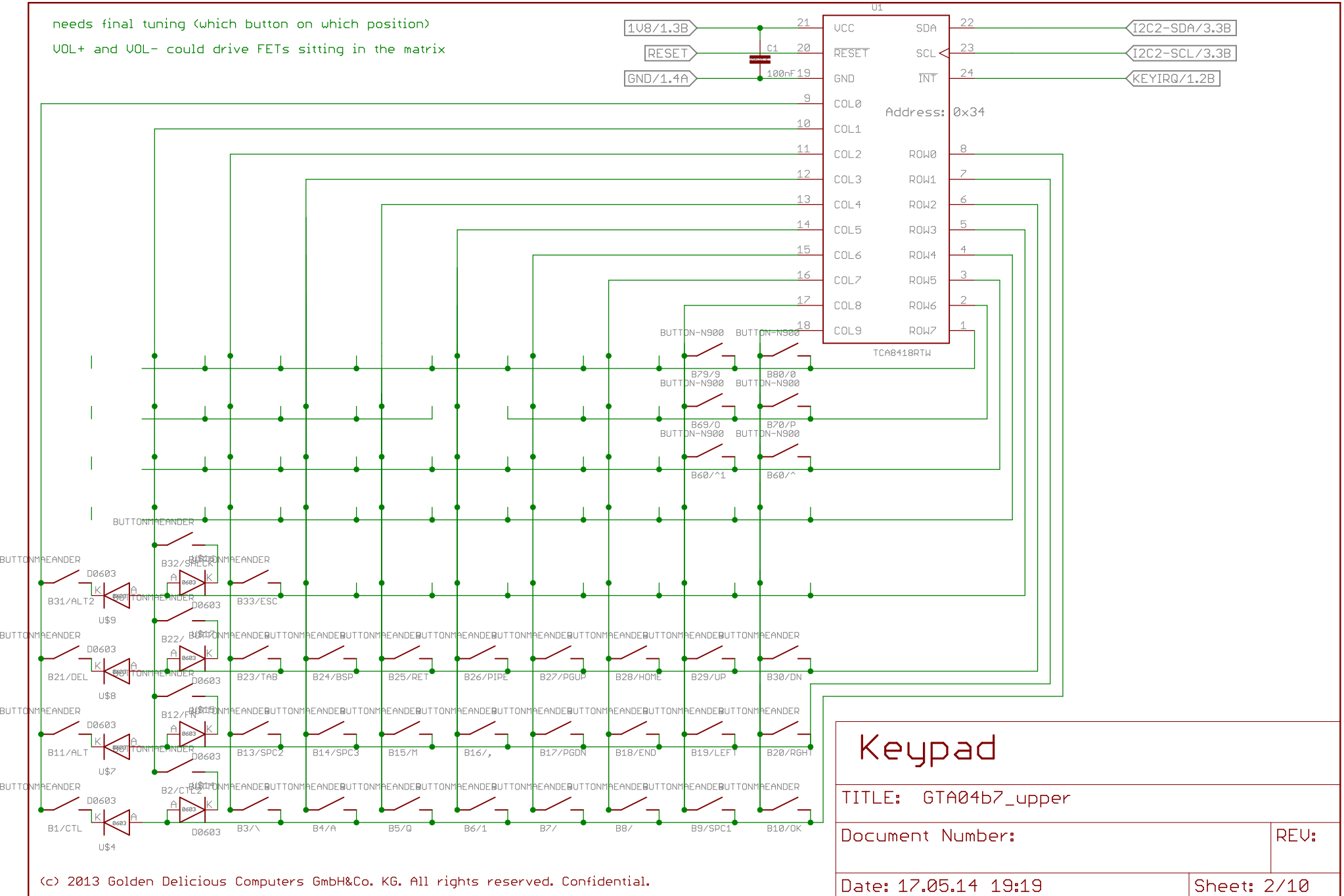
Document Number:

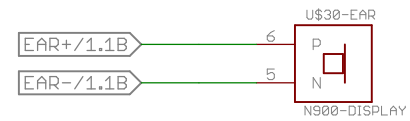
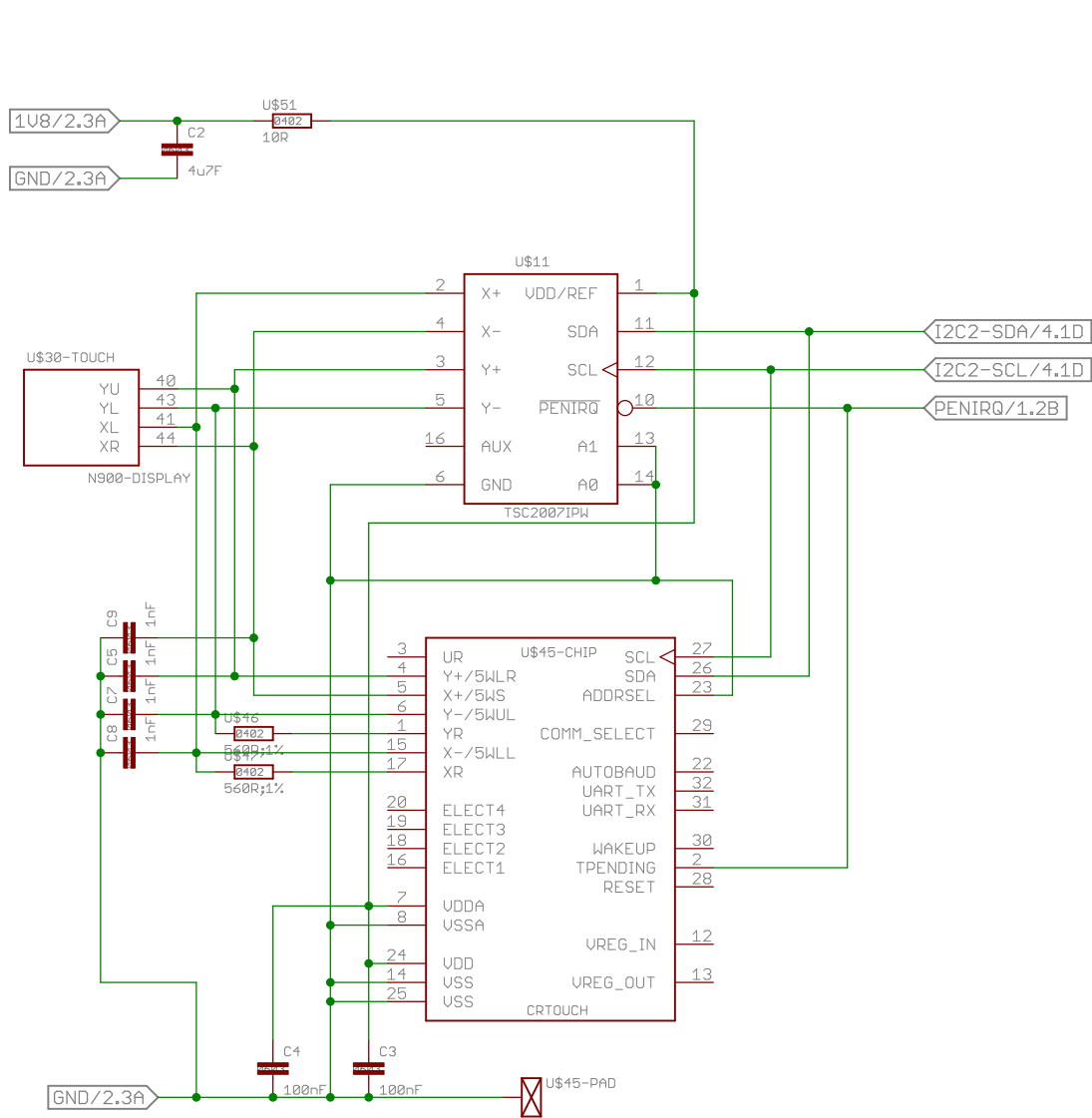
REU:

Date: 17.05.14 19:19

Sheet: 1/10

needs final tuning (which button on which position)
 V0L+ and V0L- could drive FETs sitting in the matrix





Display-Peripherals

TITLE: GTA04b7_upper

Document Number:

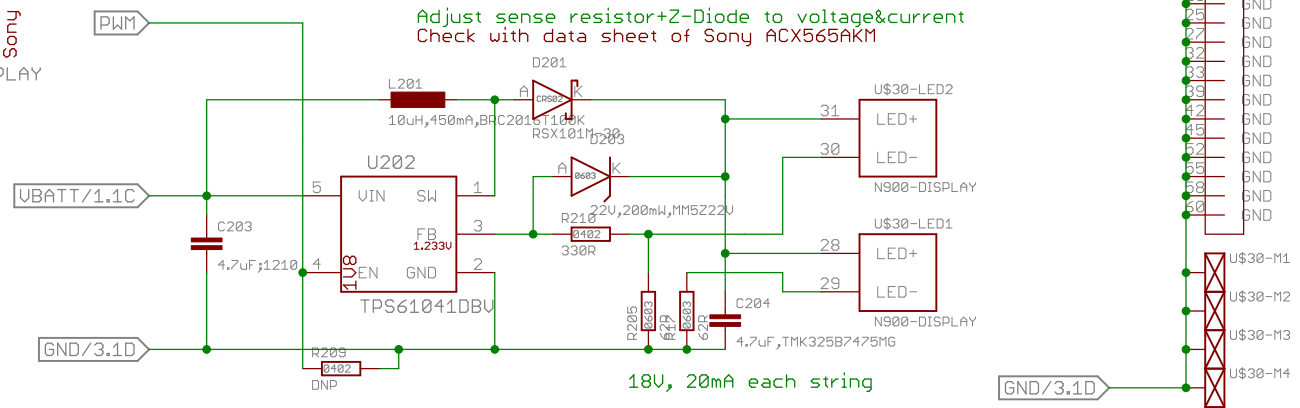
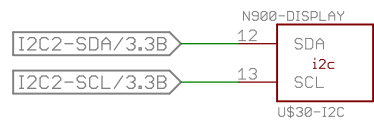
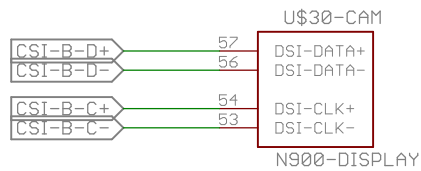
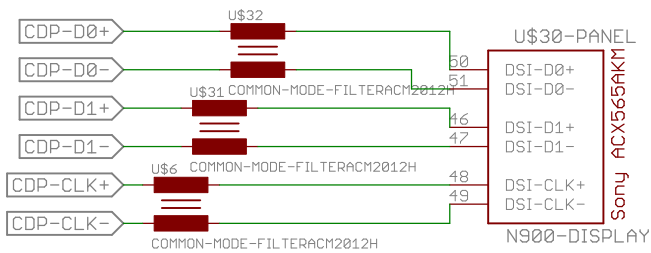
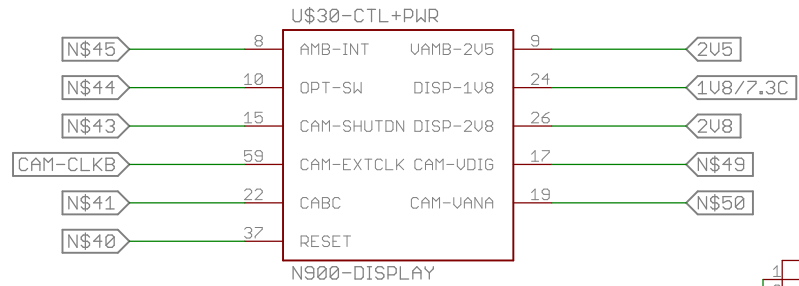
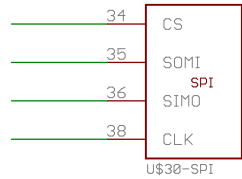
REV:

Date: 17.05.14 19:19

Sheet: 3/10

McBSP5 (GPIO bitbang) or McSPI

this is slave...

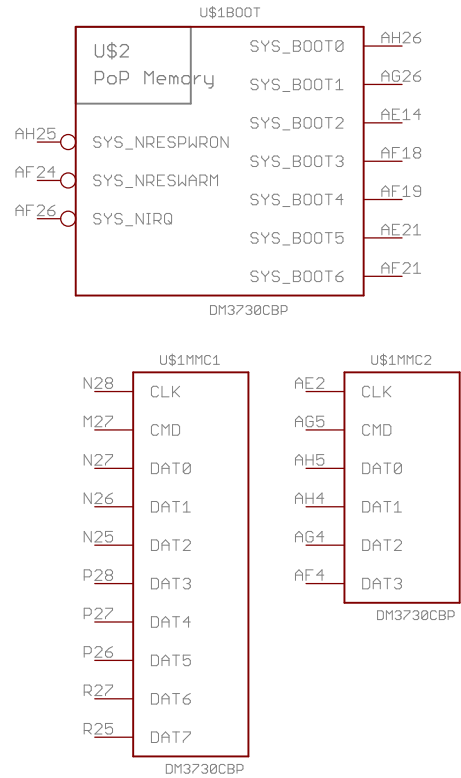


connector pin assignment needs intensive review!!!

Display-Panel&Power

TITLE: GTA04b7_upper	
Document Number:	REV:
Date: 17.05.14 19:19	Sheet: 4/10

POP or eMMC or both?



CPU

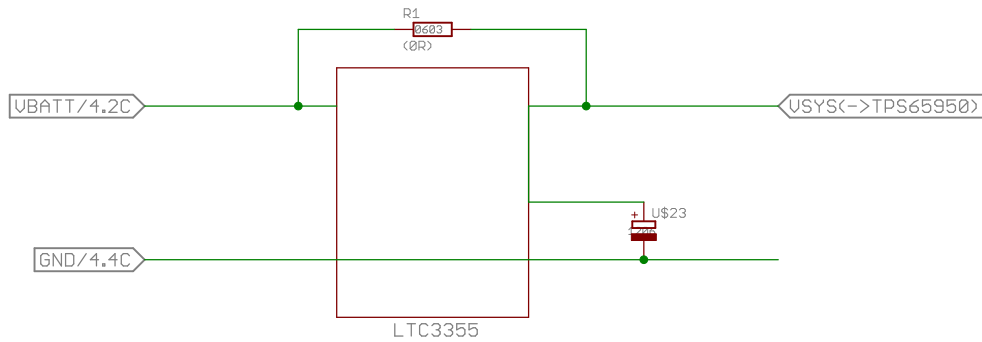
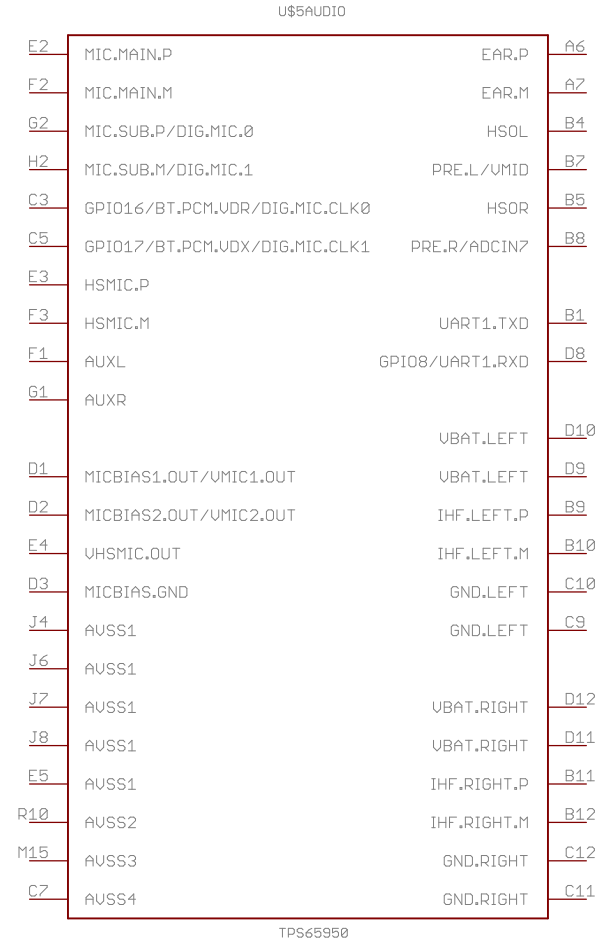
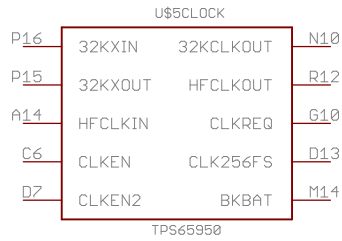
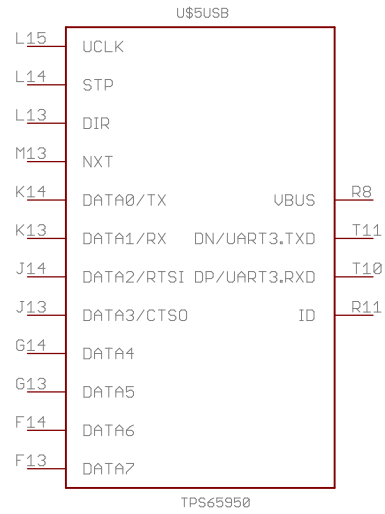
TITLE: GTA04b7_upper

Document Number:

REV:

Date: 17.05.14 19:19

Sheet: 5/10



PMU

TITLE: GTA04b7_upper

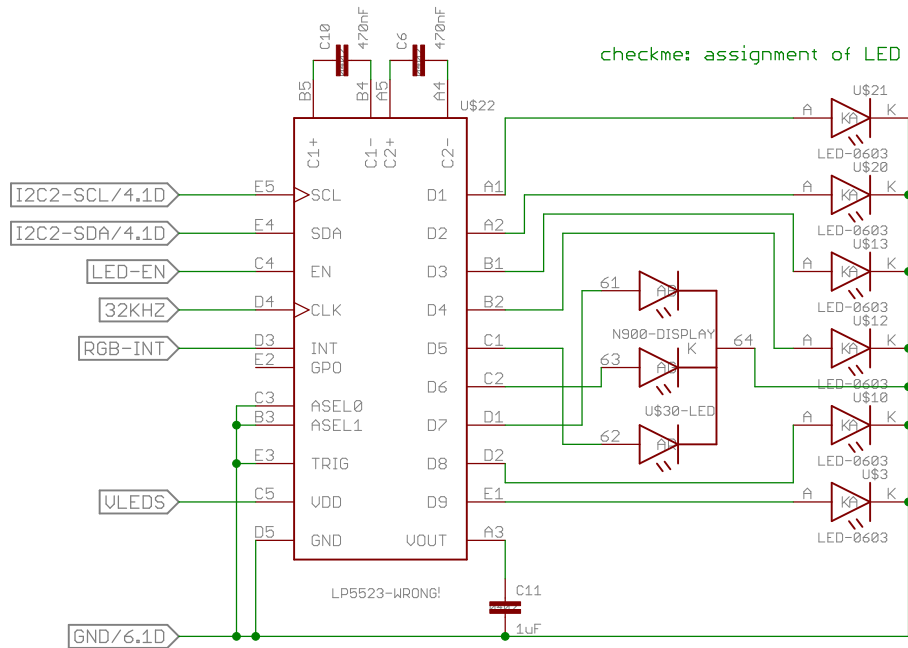
Document Number:

REV:

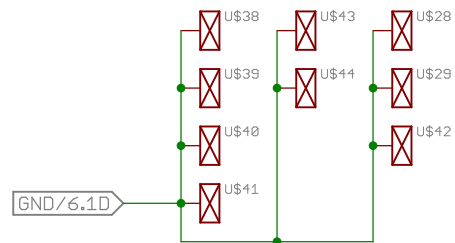
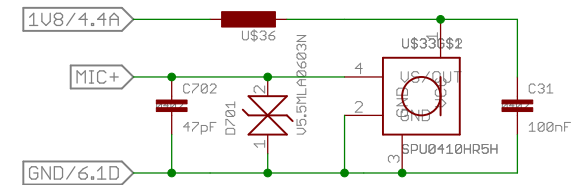
Date: 17.05.14 19:19

Sheet: 6/10

Note: LP5523 comes in 0.4mm BGA (the package assigned in LIB is 0.5mm)!
 optional: 2nd and 3rd LP5523 (different ASEL) for RGB keyboard backlight
 note: D7, D8, D9 are powered differently!



checkme: assignment of LED location to output number



Misc

TITLE: GTA04b7_upper

Document Number:

REV:

Date: 17.05.14 19:19

Sheet: 7/10

SMI195 socket (SMD type mounted on bottom side of upper board and going through lower board

power, clock, data

Main Camera

TITLE: GTA04b7_upper

Document Number:

REV:

Date: 17.05.14 19:19

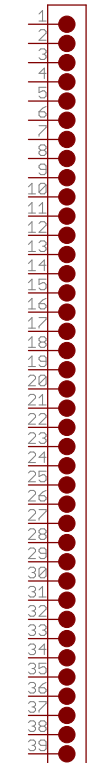
Sheet: 8/10



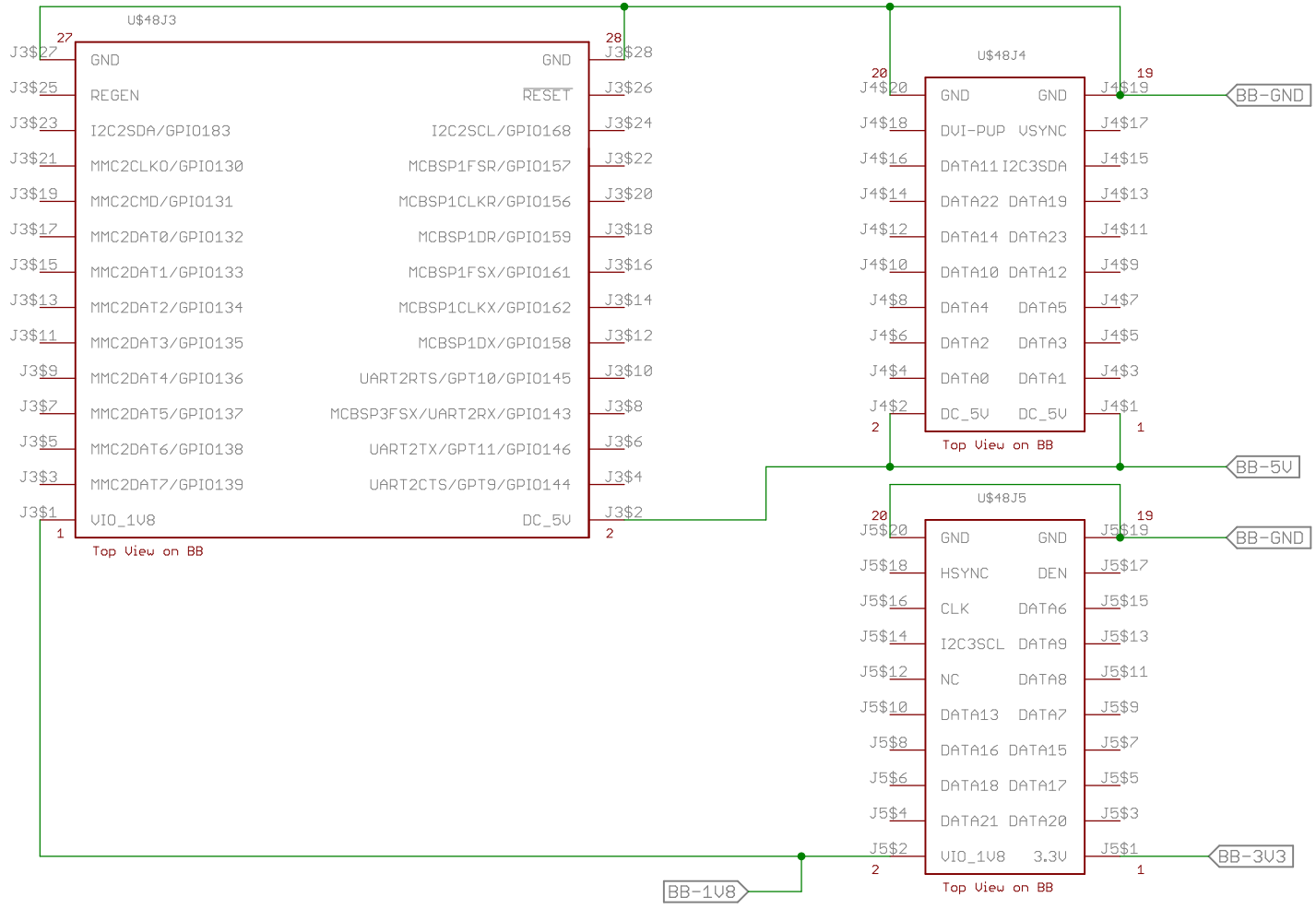
connect display, I2C + some GPIOs

Connector to BeagleBoard

TITLE: GTA04b7_upper	
Document Number:	REV:
Date: 17.05.14 19:19	Sheet: 9/10



reverse?



Adapter to BeagleBoard

TITLE: GTA04b7_upper	
Document Number:	REV:
Date: 17.05.14 19:19	Sheet: 10/10