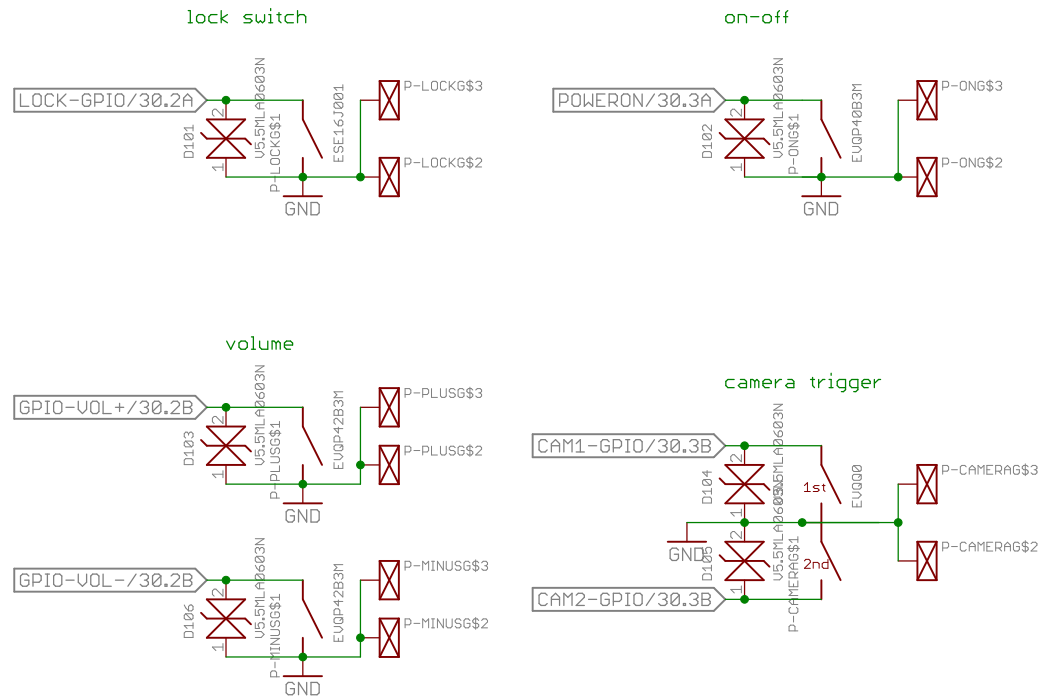


Ok for V2b



place in scan matrix? would need 3-4 wires to UPPER board instead of 2!
No. UOL+ or UOL- can either be connected to GPIOs
or drive two FETs that sit in the keyboard matrix
in any case it is sufficient to connect GPIO-UOL+ and UOL- to two pins on the B2B connector

Buttons

TITLE: GTA04b7

Document Number:

REV:

Date: nicht gespeichert!

Sheet: 1/30