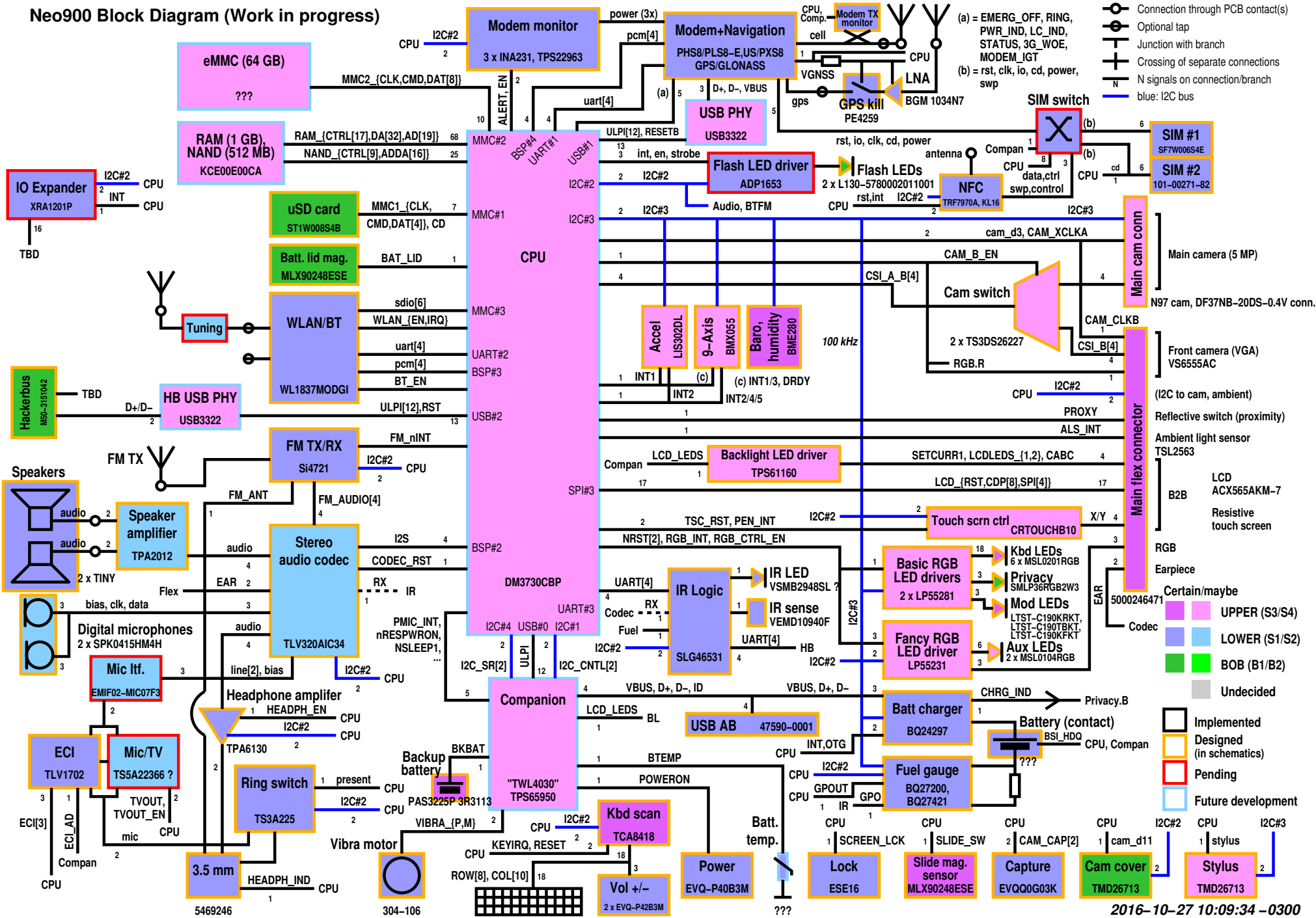


Neo900 Block Diagram (Work in progress)



- (a) = EMERG_OFF, RING, PWR_IND, LC_IND, STATUS, 3G_WOE, MODEM_IQT
- (b) = rst, clk, io, cd, power, swp
- Connection through PCB contact(s)
- Optional tap
- Junction with branch
- Crossing of separate connections
- N signals on connection/branch
- blue: I2C bus

- UPPER (S3/S4)
- LOWER (S1/S2)
- BOB (B1/B2)
- Undecided

- Implemented
- Designed (in schematics)
- Pending
- Future development