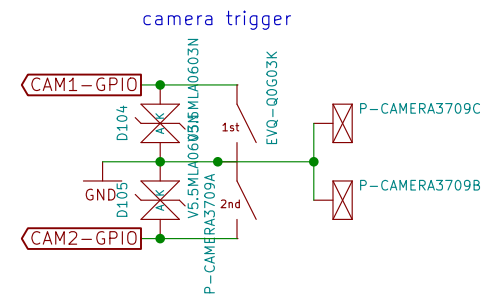
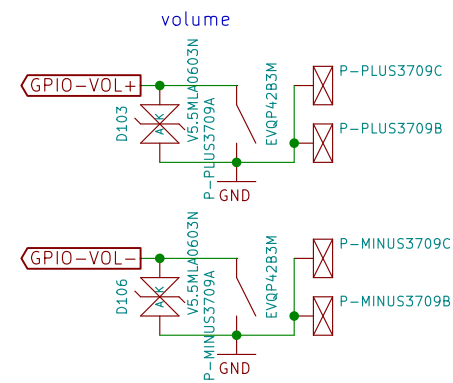
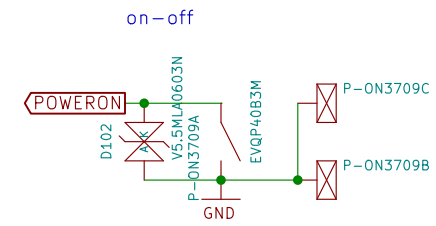
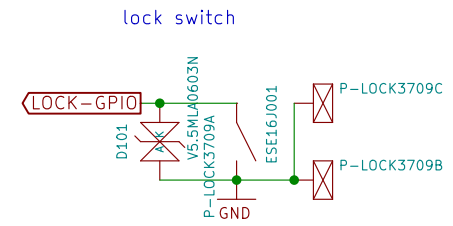


Sheet: /			
File: neo900.sch			
Title: neo900.sch			
Size: A3	Date: 16 JUL 2016	Rev:	
KiCad E.D.A. eeschema 4.1.0-alpha+201607120318+697546ubuntu16.04		1/38	



place in scan matrix? would need 3-4 wires to UPPER board instead of 2
 No. VOL+ or VOL- can either be connected to GPIOs
 or drive two FETs that sit in the keyboard matrix
 in any case it is sufficient to connect GPIO-VOL+ and VOL- to two pins on the B2B connector

(c) 2014 Golden Delicious Computers GmbH&Co. KG. Licensed under CC-BY-SA.

Buttons

Sheet: /Buttons/
 File: neo900_SS_1.sch

Title: neo900.sch

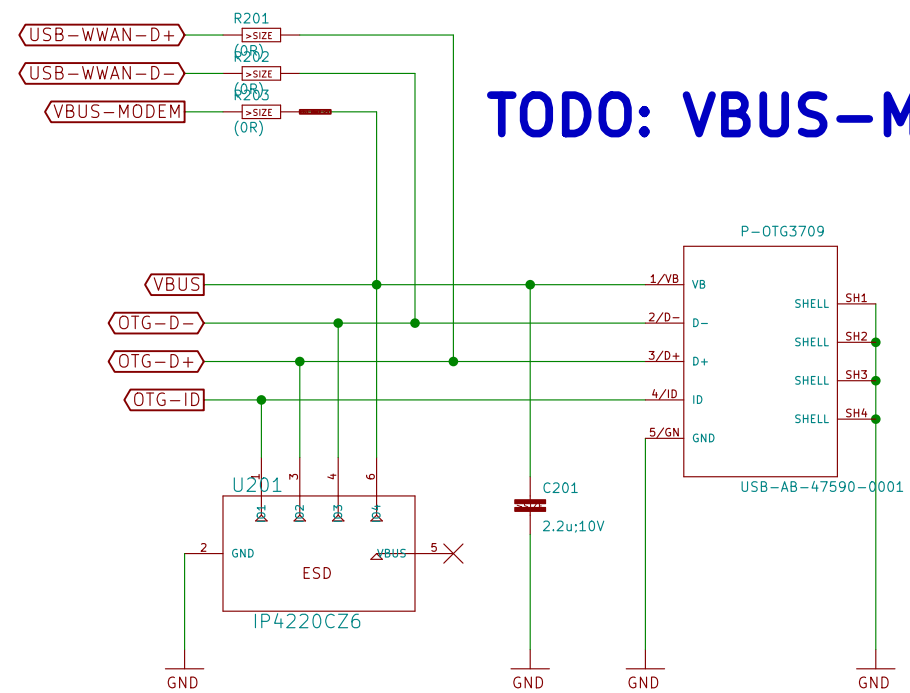
Size: A3 Date: 16 JUL 2016

KiCad E.D.A. eeschema 4.1.0-alpha+201607120318+697546ubuntu16.04.1-2/38uct

Rev:

1/1

can be used to test/operate the modem through the OTG port (w/o UPPER PCB)



TODO: VBUS-MODEM-CPU

(c) 2014 Golden Delicious Computers GmbH&Co. KG. Licensed under CC-BY-SA.

OTG

Sheet: /OTG/
File: neo900_SS_2.sch

Title: neo900.sch

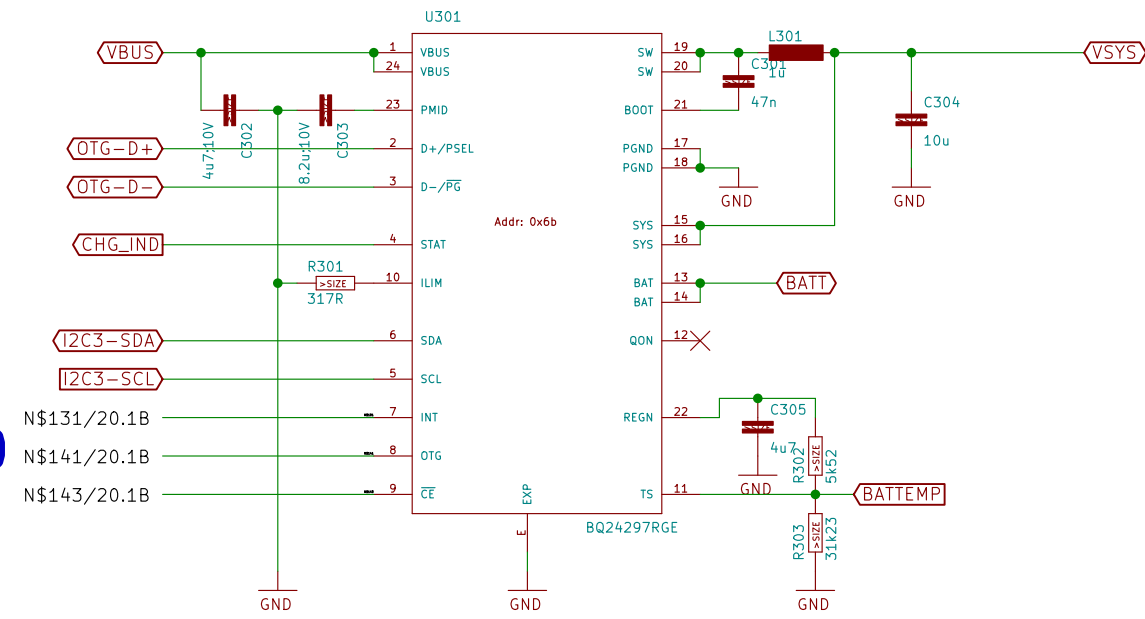
Size: A3 Date: 17 JUL 2016

KiCad E.D.A. eeschema 4.1.0-alpha+201607120318+697546ubuntu16.04.1-1/38uct

Rev:

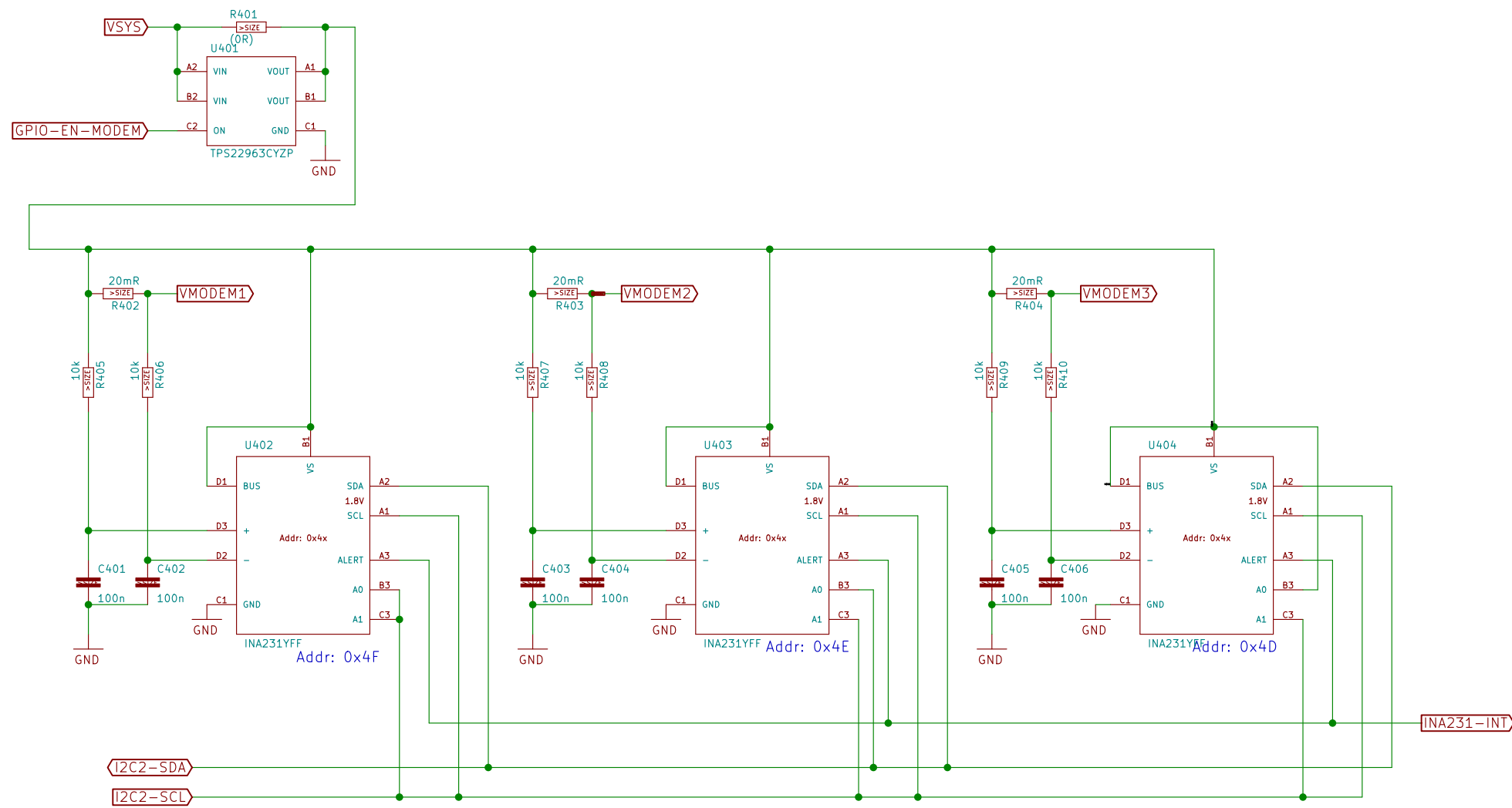
1.0

TODO



(c) 2014 Golden Delicious Computers GmbH&Co. KG. Licensed under CC-BY-SA.

Charger/OTG-Booster		
Sheet: /Charger/OTG-Booster/ File: neo900_SS_3.sch		
Title: neo900.sch		
Size: A3	Date: 17 JUL 2016	Rev:
KiCad E.D.A. eeschema 4.1.0-alpha+201607120318+697546ubuntu16.04		



(c) 2014 Golden Delicious Computers GmbH&Co. KG. Licensed under CC-BY-SA.

Modem Power

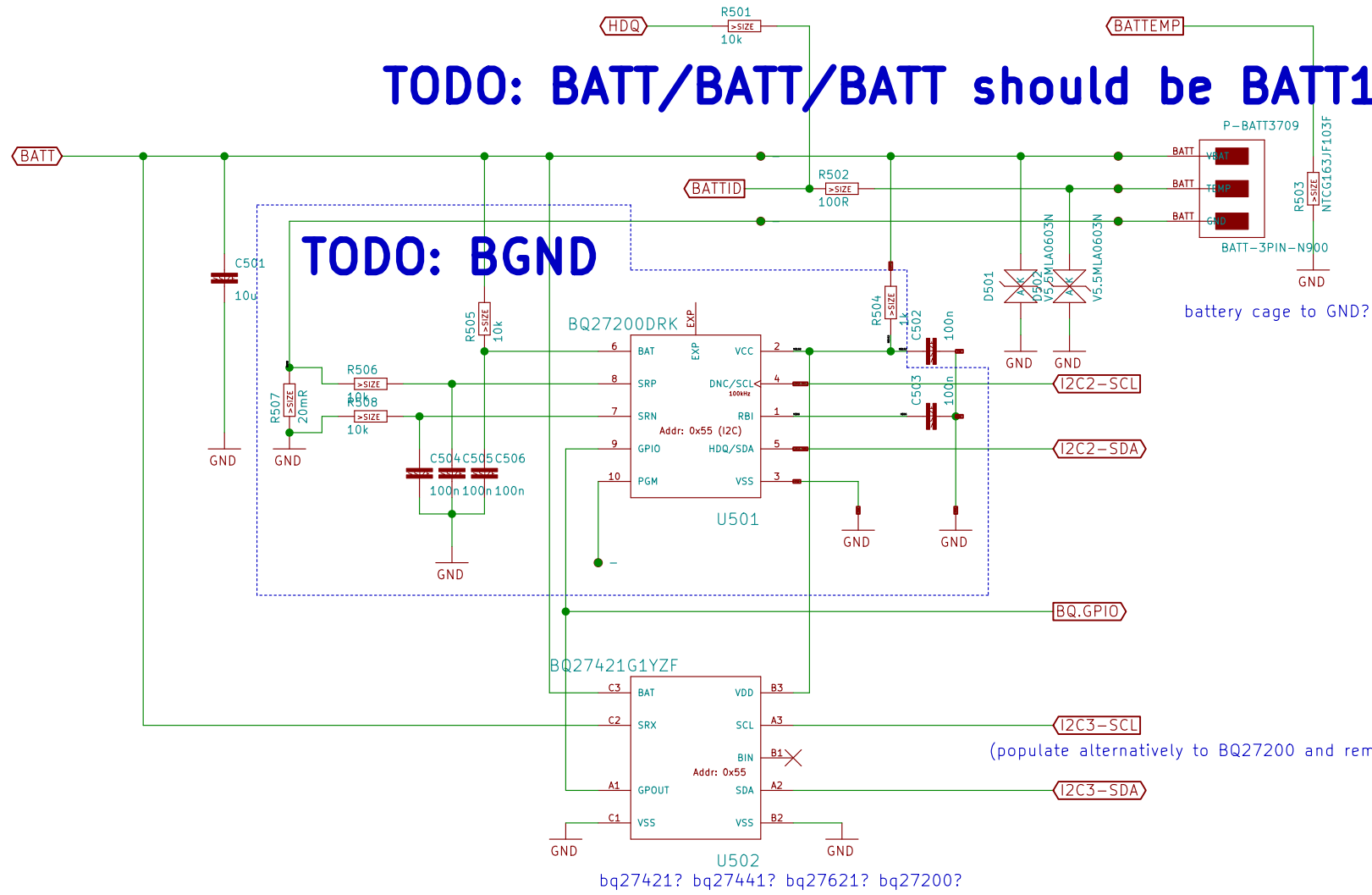
Sheet: /Modem Power/
File: neo900_SS_4.sch

Title: neo900.sch

Size: A3 Date: 17 JUL 2016

Rev:

KiCad E.D.A. eeschema 4.1.0-alpha+201607120318+697546ubuntu16.04.1-5/38uct



TODO: BATT/BATT/BATT should be BATT1/BATT2/BATT3

TODO: BGND

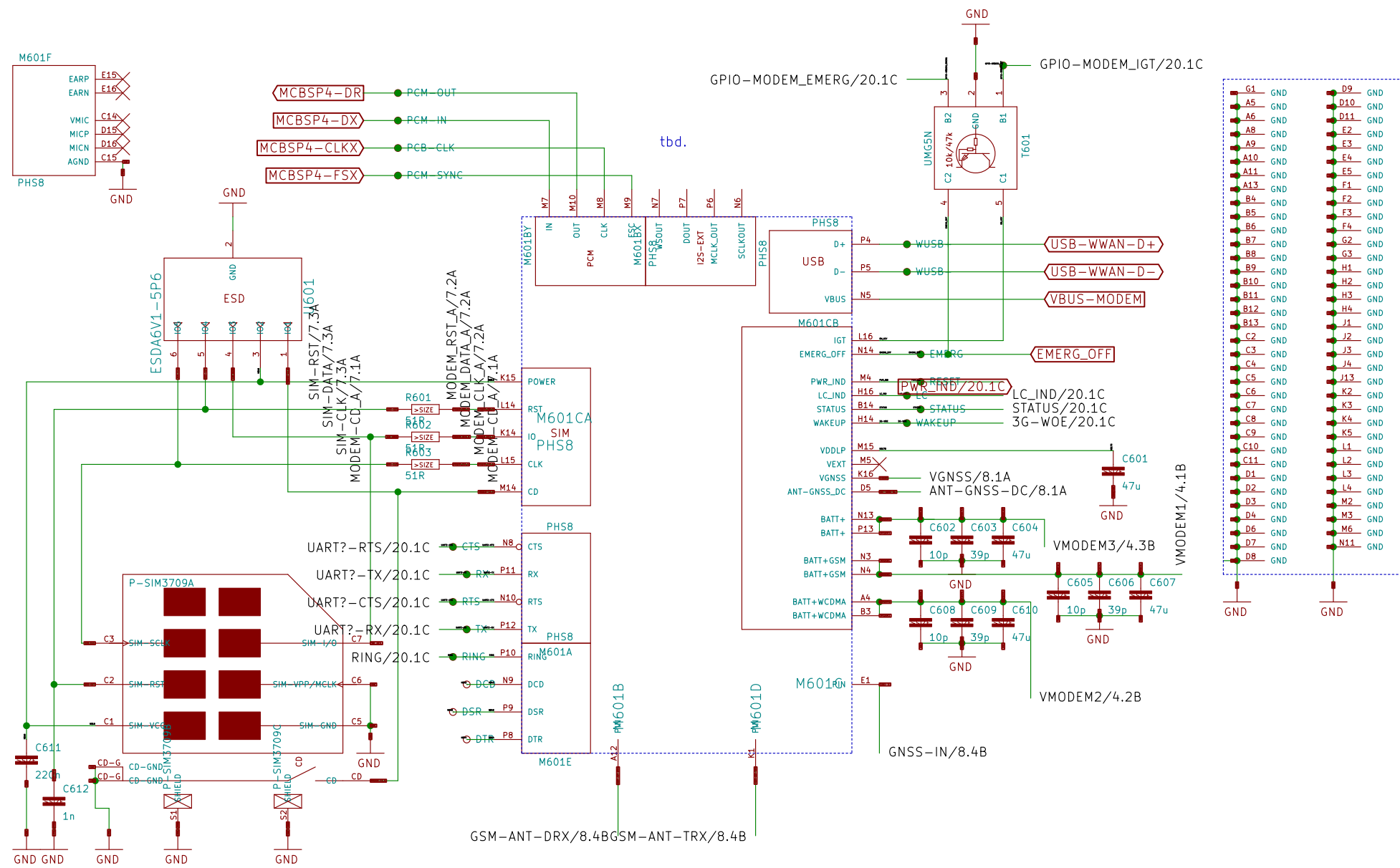
battery cage to GND?

(populate alternatively to BQ27200 and remove 1k to BATT)

U502
bq27421? bq27441? bq27621? bq27200?

(c) 2014 Golden Delicious Computers GmbH&Co. KG. Licensed under CC-BY-SA.

Fuel Gauge			
Sheet: /Fuel Gauge/ File: neo900_SS_5.sch			
Title: neo900.sch			
Size: A3	Date: 17 JUL 2016	Rev:	
KiCad E.D.A. eeschema 4.1.0-alpha+201607120318+697546ubuntu16.04		1-6/38uct	



Can we connect UART in parallel to Bluetooth UART (i.e. if BT is disabled we can unbrick the Modem?)

(c) 2014 Golden Delicious Computers GmbH&Co. KG. Licensed under CC-BY-SA.

3G/4G Modem + SIM

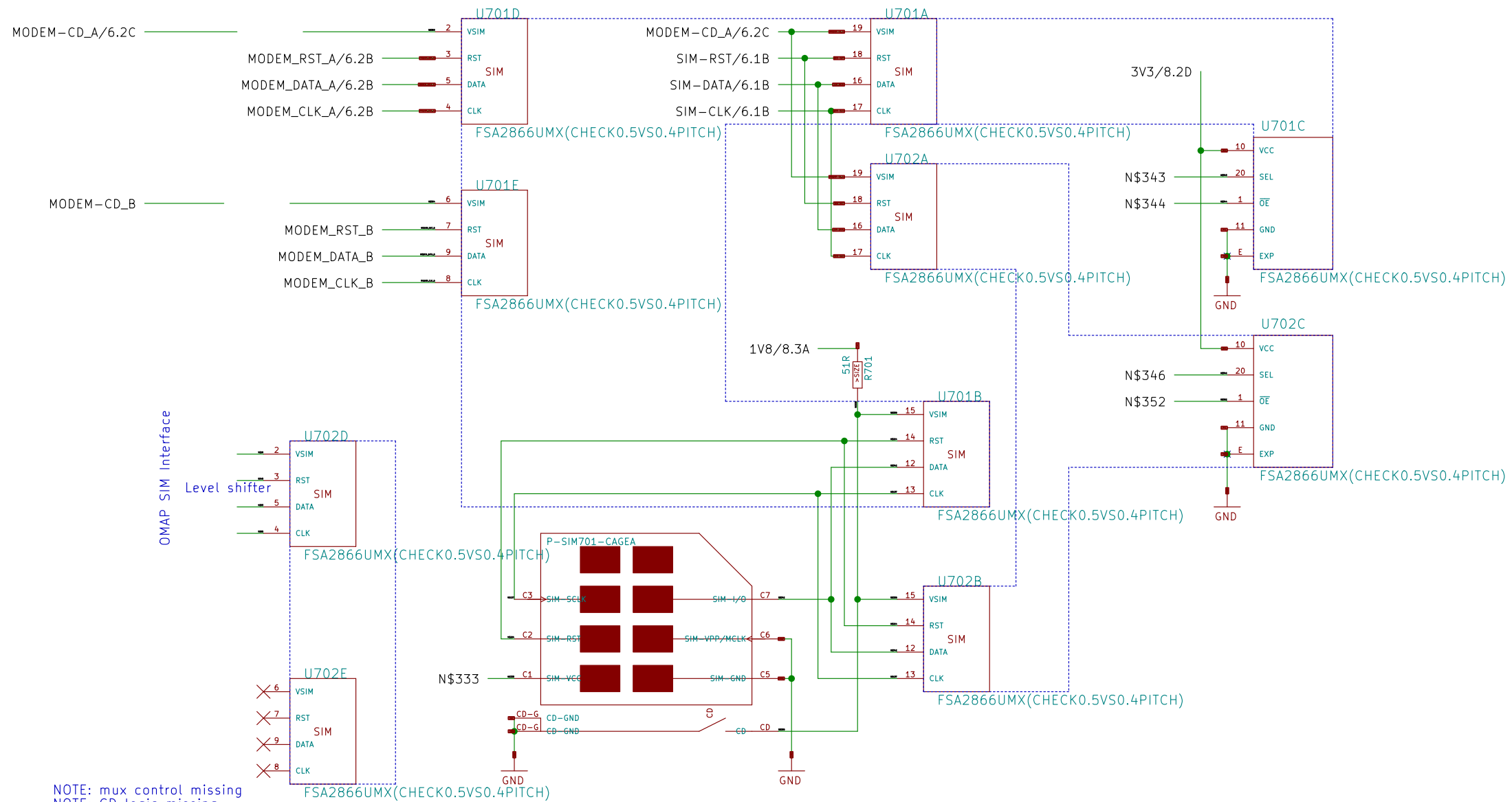
Sheet: /3G/4G Modem + SIM/
File: neo900_SS_6.sch

Title: neo900.sch

Size: A3 Date: 17 JUL 2016

Rev:

KiCad E.D.A. eschema 4.1.0-alpha+201607120318+697546ubuntu16.04-1-1/38uct



NOTE: mux control missing
 NOTE: CD logic missing
 NOTE: SIM power supply missing

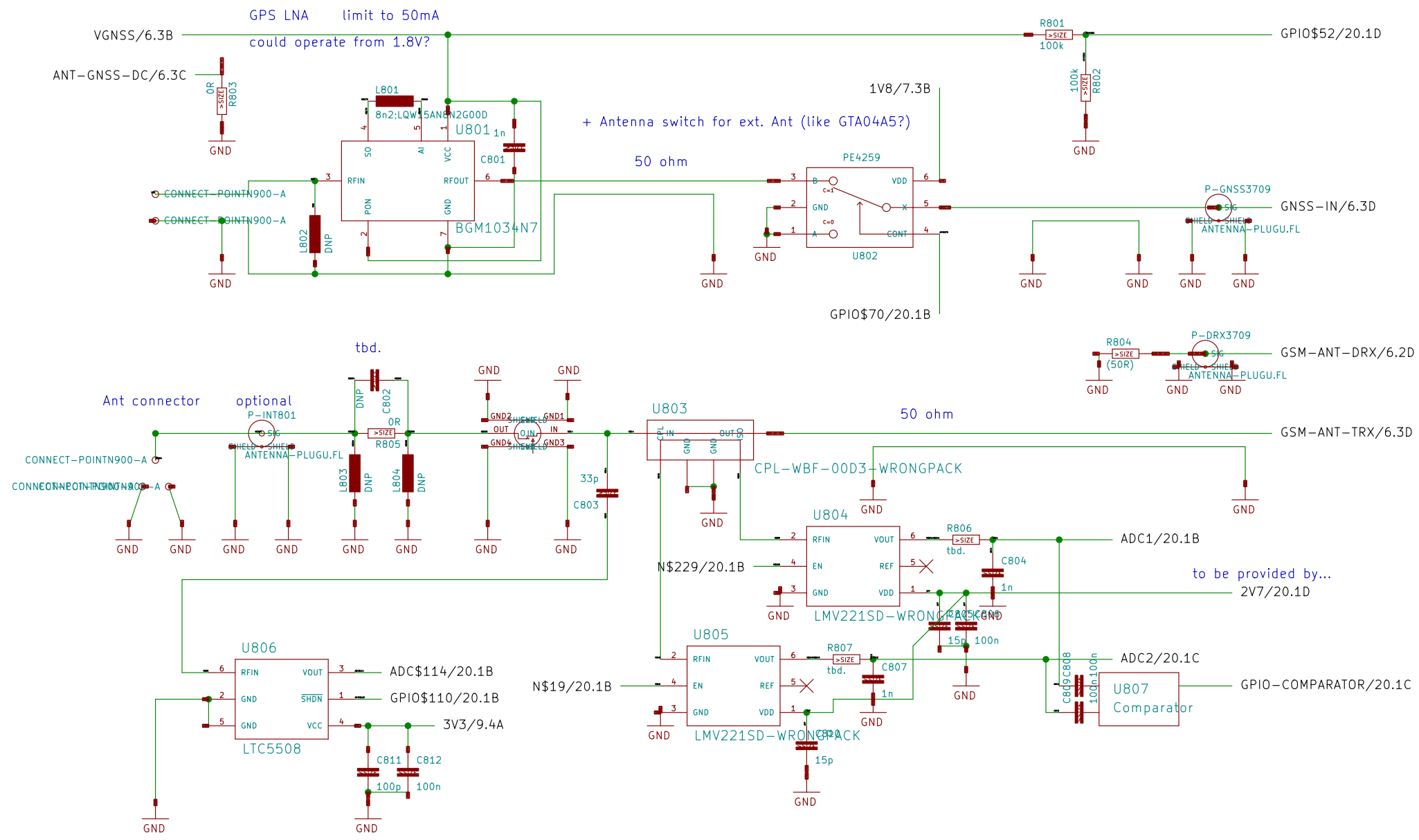
(c) 2015 Golden Delicious Computers GmbH&Co. KG. Licensed under CC-BY-SA.

Dual SIM switch

Sheet: /Dual SIM switch/
 File: neo900_SS_7.sch

Title: neo900.sch

Size: A3	Date: 17 JUL 2016	Rev:
KiCad E.D.A. eeschema 4.1.0-alpha+201607120318+69754ubuntu16.04		1/3



(c) 2014 Golden Delicious Computers GmbH&Co. KG. Licensed under CC-BY-SA.

Antenna connections		
Sheet: /Antenna connections/ File: neo900_SS_8.sch		
Title: neo900.sch		
Size: A3	Date: 17 JUL 2016	Rev:
KiCad E.D.A. eeschema 4.1.0-alpha+201607120318+697546ubuntu16.04		Product

RCLK 9 32KHZ/20.1A

SI4721BG

SI4705 is pin compatible (mostly) but RX-only

A

B

C

D

E

F

A

B

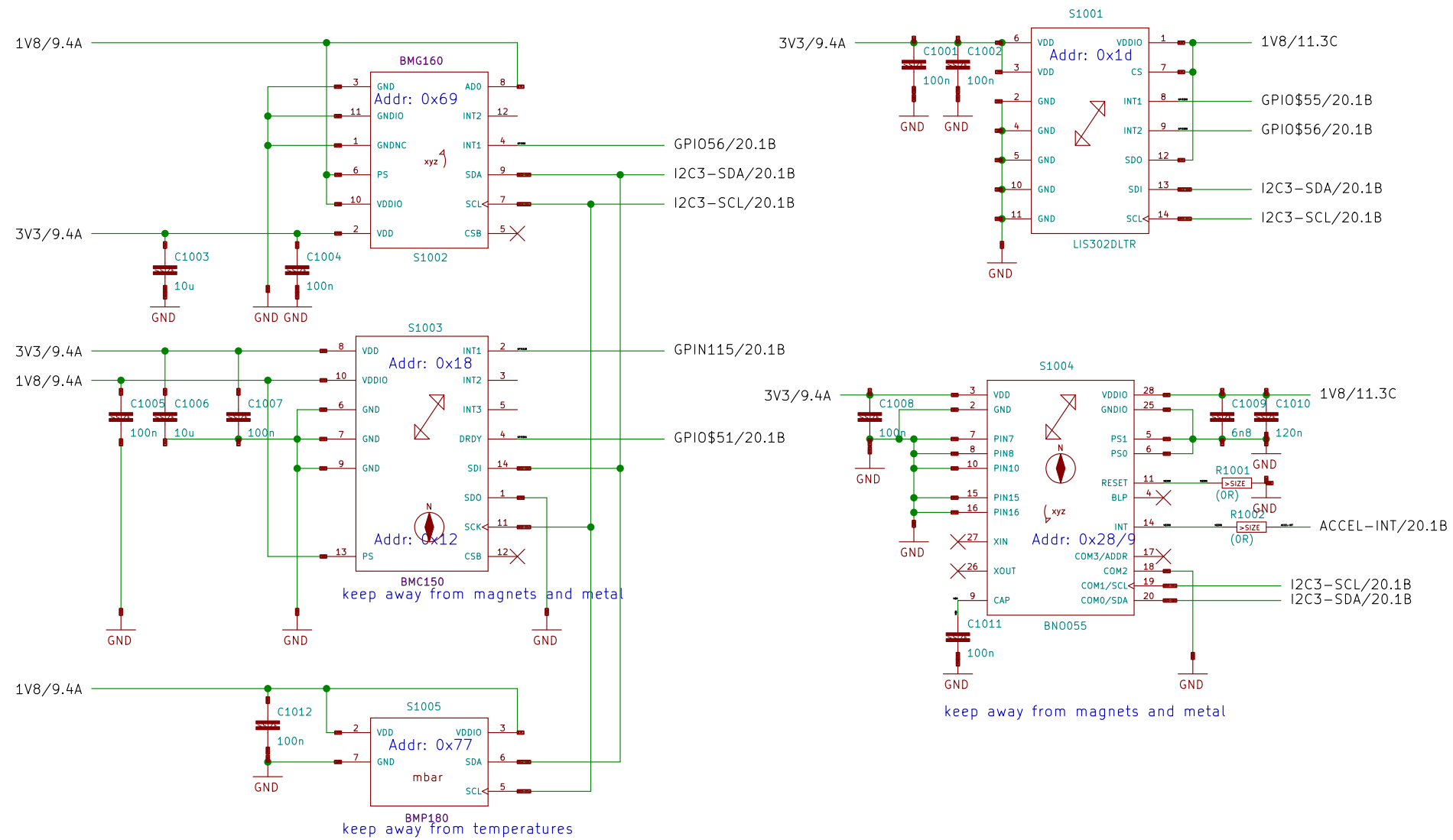
C

D

E

F

WLAN, Bluetooth, FM	
Sheet: /WLAN, Bluetooth, FM/ File: neo900_SS_9.sch	
Title: neo900.sch	
Size: A3	Date: 17 JUL 2016
KiCad E.D.A. eeschema 4.1.0-alpha+201607120318+697546ubuntu16.04	Rev: 10/06/16



(c) 2014 Golden Delicious Computers GmbH&Co. KG. Licensed under CC-BY-SA.

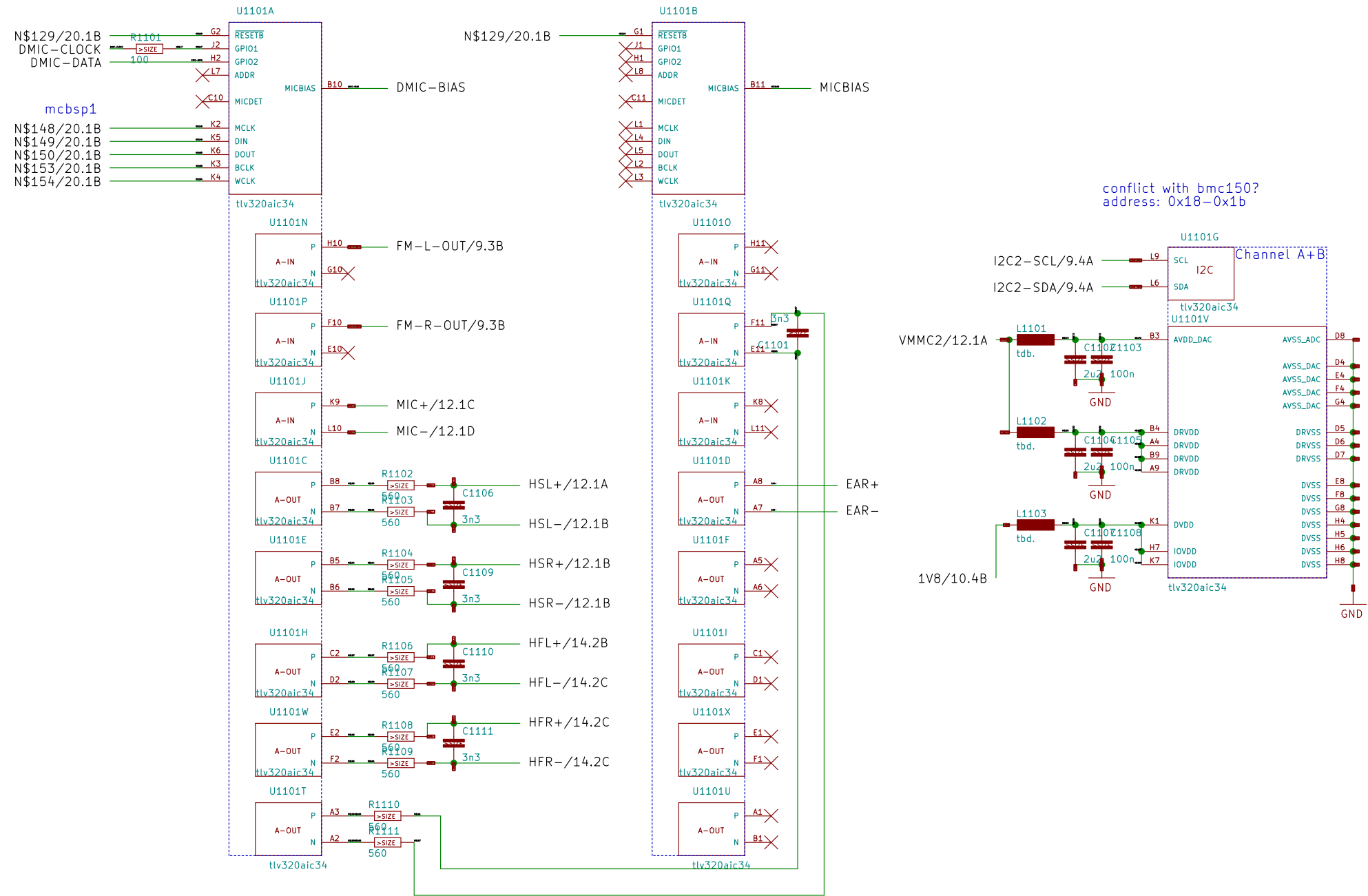
Sensors

Sheet: /Sensors/
File: neo900_SS_10.sch

Title: neo900.sch

Size: A3	Date: 17 JUL 2016	Rev:
KiCad E.D.A. eschema 4.1.0-alpha+201607120318+697546ubuntu16.04		1/1/2016

problem: this is a 0.5mm BGA making lower board expensive
 but it appears to be not extremely critical (only 3 rows and inner ring is GND)
 problem: analog mic is on upper board
 alternative: place on upper board (to be evaluated)



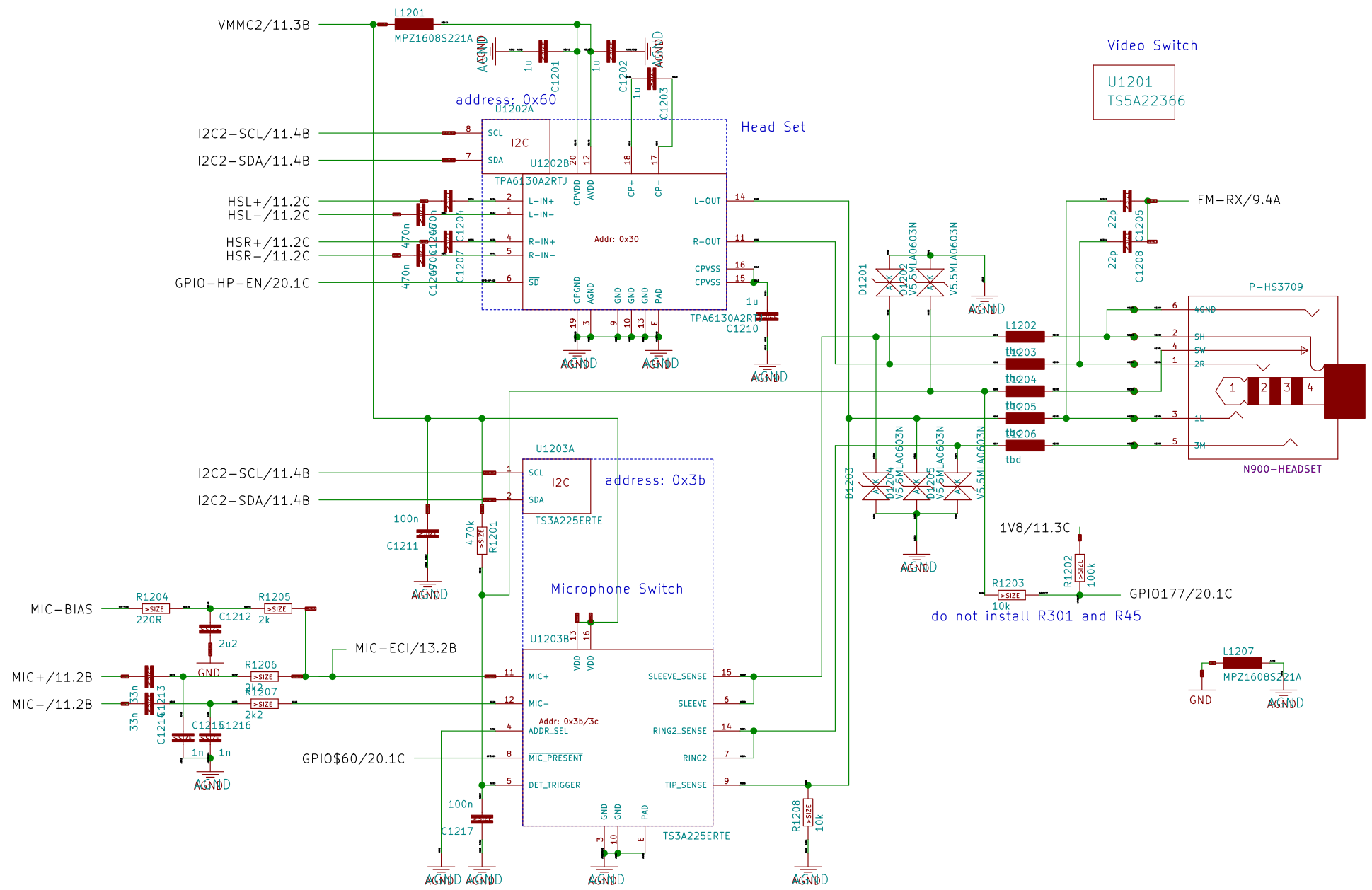
(c) 2014 Golden Delicious Computers GmbH&Co. KG. Licensed under CC-BY-SA.

Audio Codec

Sheet: /Audio Codec/
 File: neo900_SS_11.sch

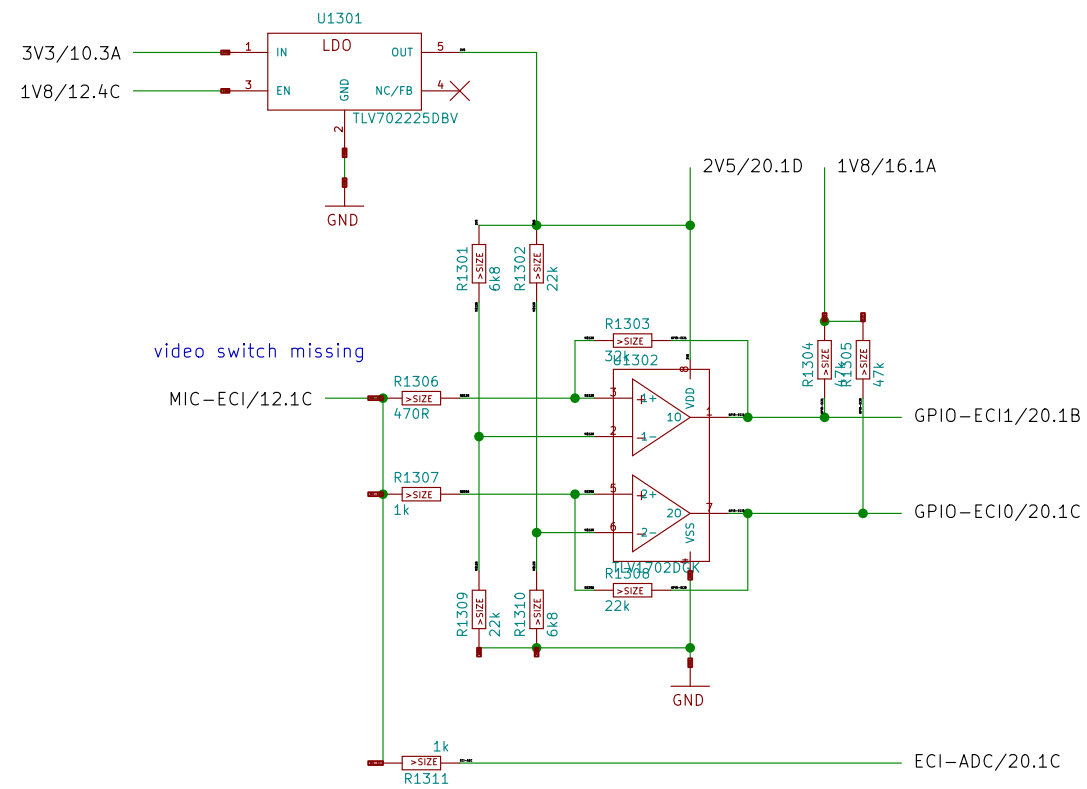
Title: neo900.sch

Size: A3	Date: 17 JUL 2016	Rev:
KiCad E.D.A. eschema 4.1.0-alpha+201607120318+697546ubuntu16.04-12086ct		



(c) 2014 Golden Delicious Computers GmbH&Co. KG. Licensed under CC-BY-SA.

Audio Headset & Mic		
Sheet: /Audio Headset + Mic/ File: neo900_SS_12.sch		
Title: neo900.sch		
Size: A3	Date: 17 JUL 2016	Rev:
KiCad E.D.A. eeschema 4.1.0-alpha+201607120318+697546ubuntu16.04		13/06/2016



(c) 2014 Golden Delicious Computers GmbH&Co. KG. Licensed under CC-BY-SA.

ECI

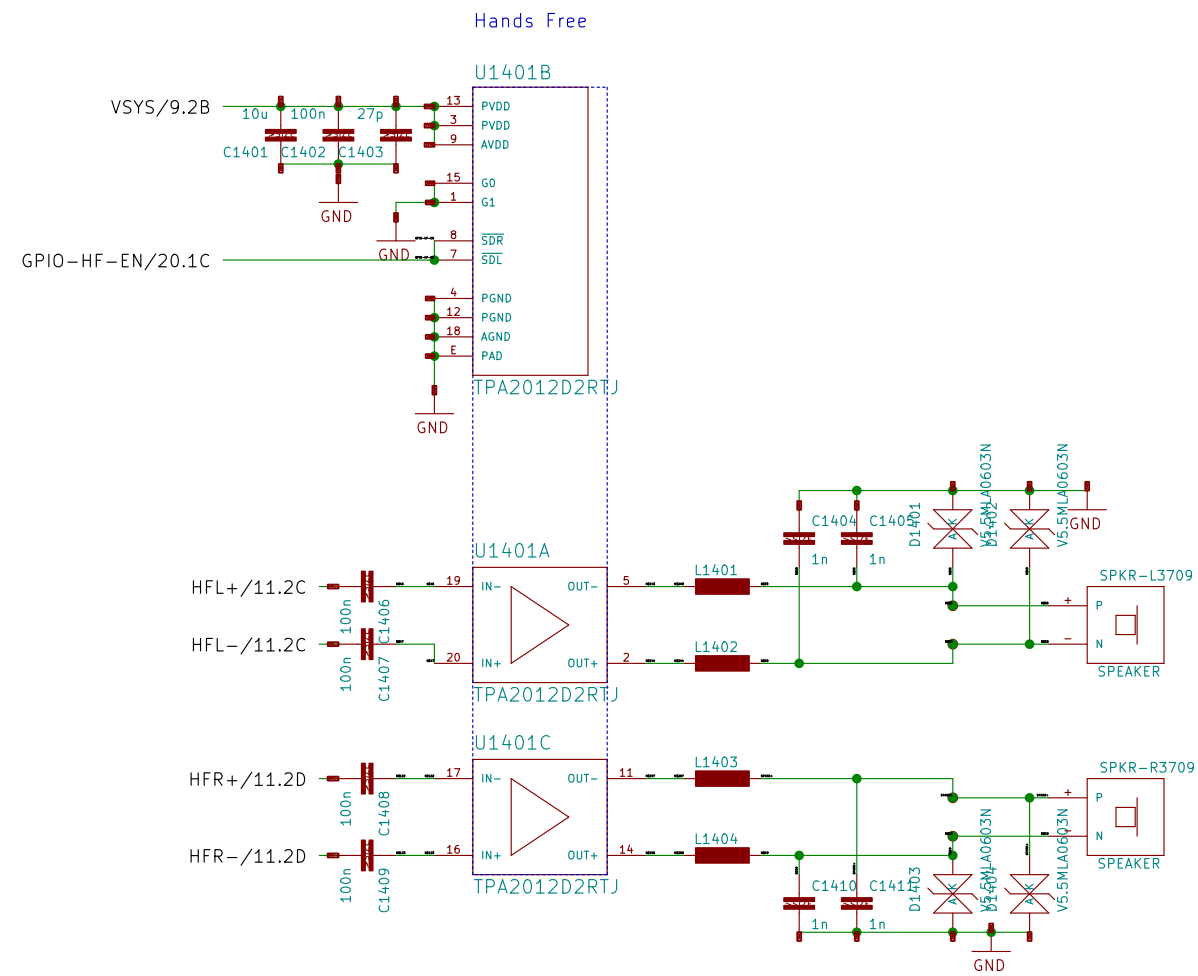
Sheet: /ECI/
File: neo900_SS_13.sch

Title: neo900.sch

Size: A3 Date: 17 JUL 2016

Rev:

KiCad E.D.A. eeschema 4.1.0-alpha+201607120318+697546ubuntu16.04



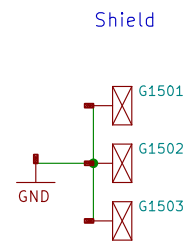
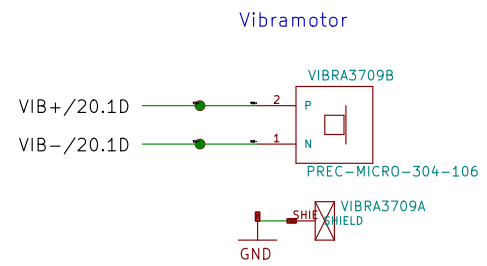
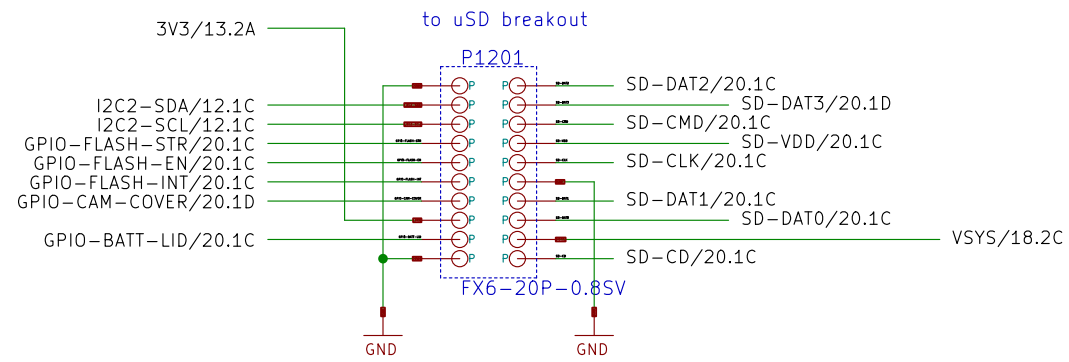
(c) 2014 Golden Delicious Computers GmbH&Co. KG. Licensed under CC-BY-SA.

Audio Handsfree

Sheet: /Audio Handsfree/
File: neo900_SS_14.sch

Title: neo900.sch

Size: A3	Date: 17 JUL 2016	Rev:
KiCad E.D.A. eeschema 4.1.0-alpha+201607120318+697546ubuntu16.04		15/06/16



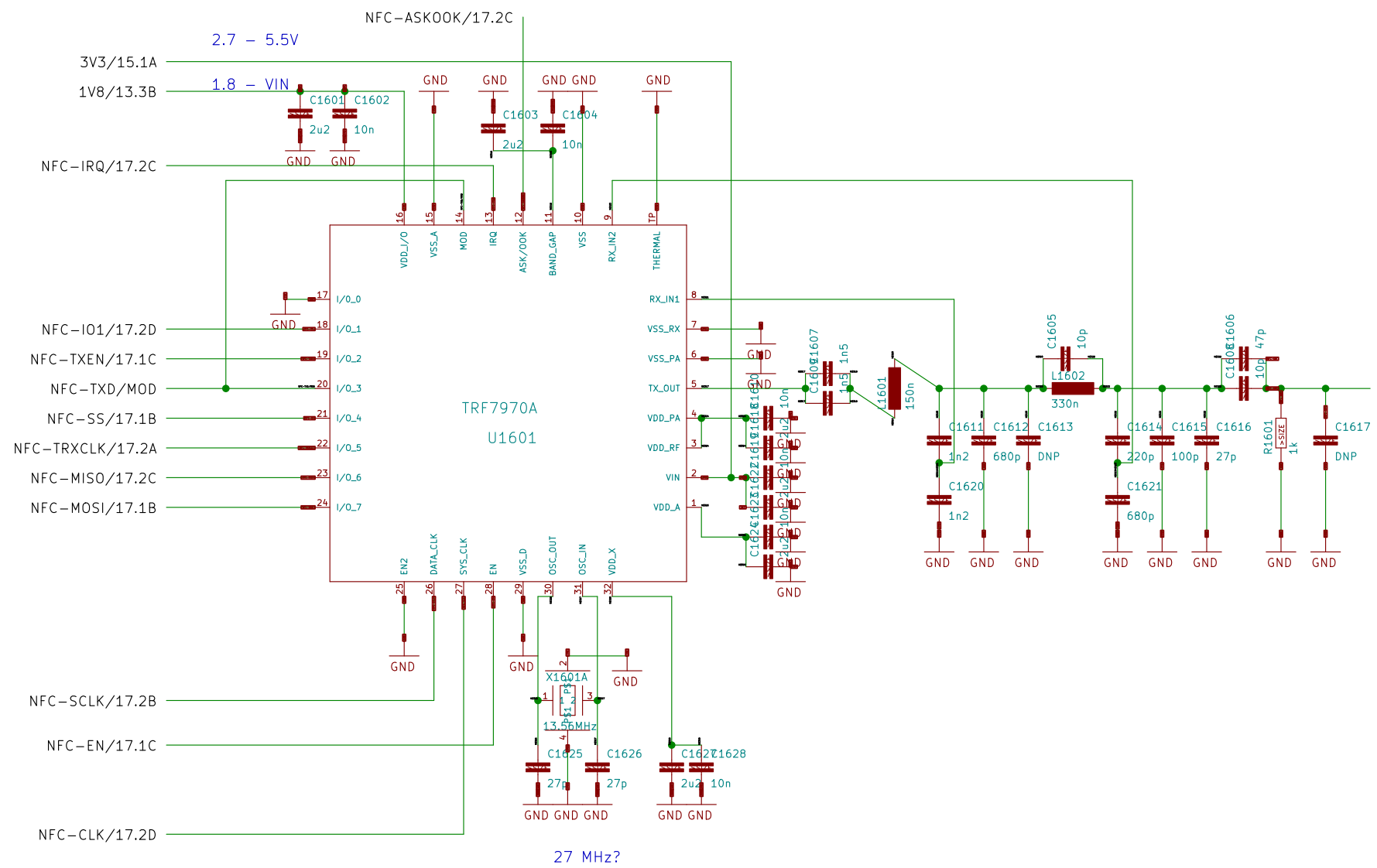
(c) 2014 Golden Delicious Computers GmbH&Co. KG. Licensed under CC-BY-SA.

Misc (lower)

Sheet: /Misc (lower)/
File: neo900_SS_15.sch

Title: neo900.sch

Size: A3	Date: 17 JUL 2016	Rev:
KiCad E.D.A. eeschema 4.1.0-alpha+201607120318+697546ubuntu16.04		16/08/2016



(c) 2015 Golden Delicious Computers GmbH&Co. KG. Licensed under CC-BY-SA.

RFID/NFC Reader

Sheet: /RFID/NFC Reader/
File: neo900_SS_16.sch

Title: neo900.sch

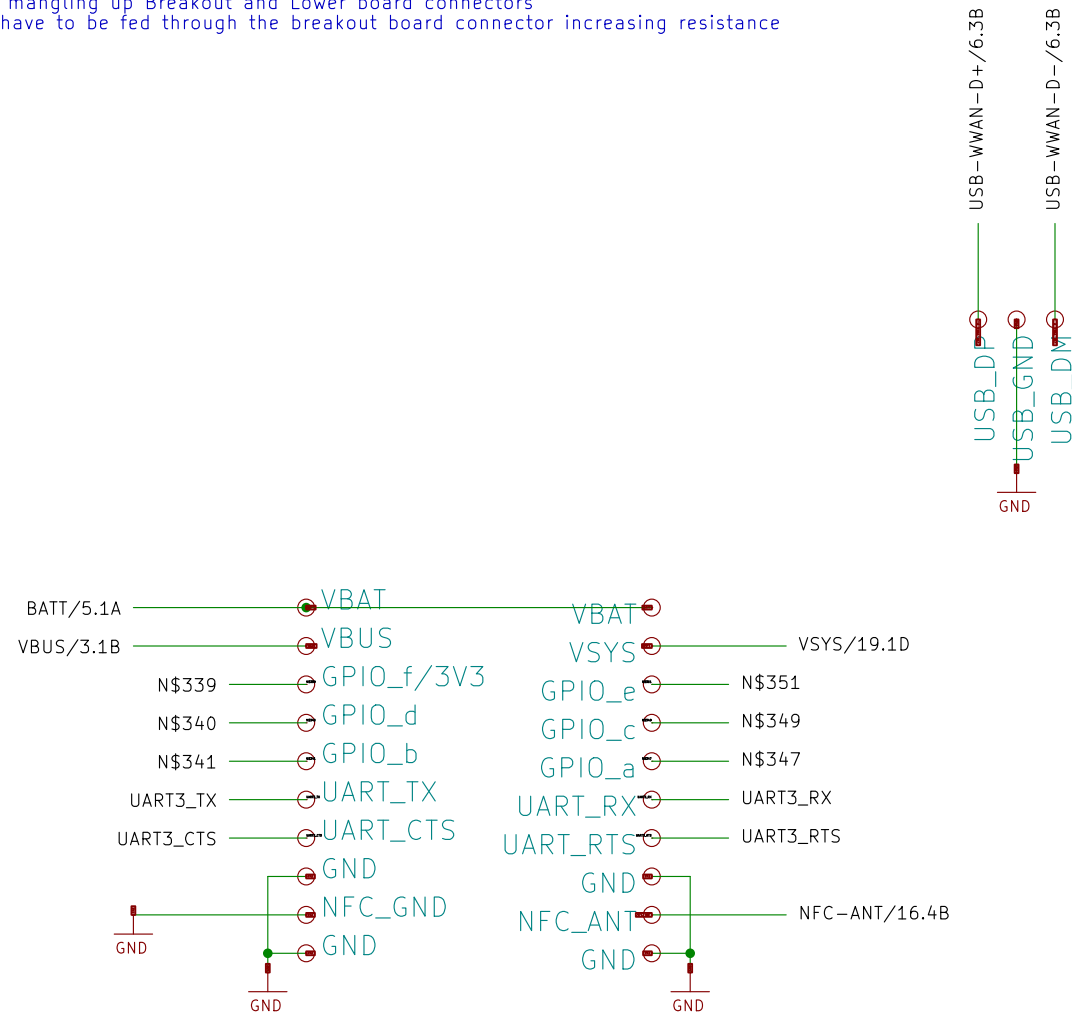
Size: A3

Date: 17 JUL 2016

Rev:

KiCad E.D.A. eeschema 4.1.0-alpha+201607120318+697546ubuntu16.04-17.0.ct

NOTE: this is mangling up Breakout and Lower board connectors
 Signals may have to be fed through the breakout board connector increasing resistance

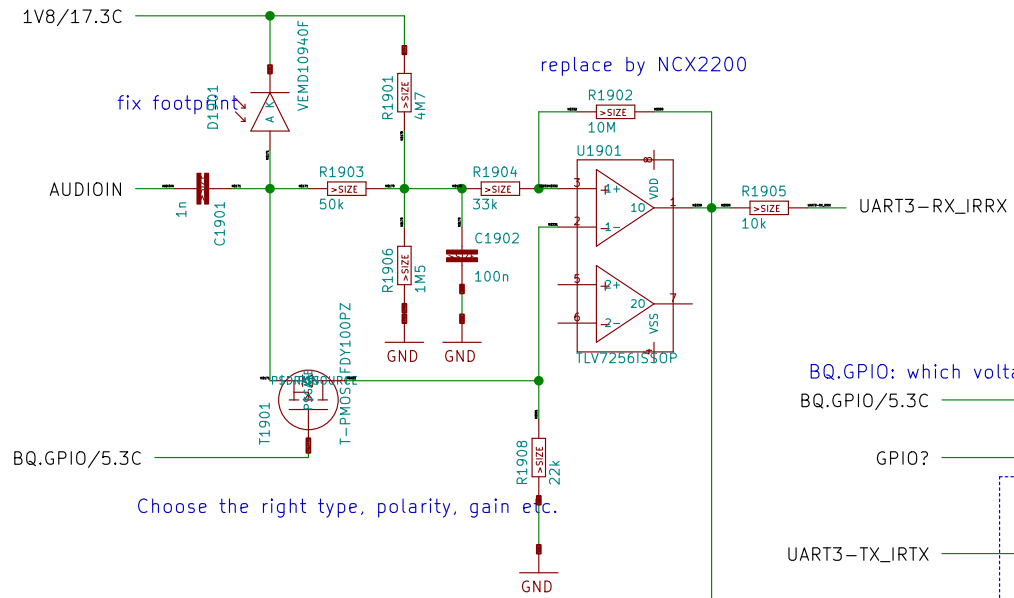


Missing 10 level shifter chip (or do we really have the space for 10x discrete T+R+D ca. 3x3mm each?)
 Missing 6x 2R for alternate function select (do we have the space for ca. 2.5 x 5mm?)

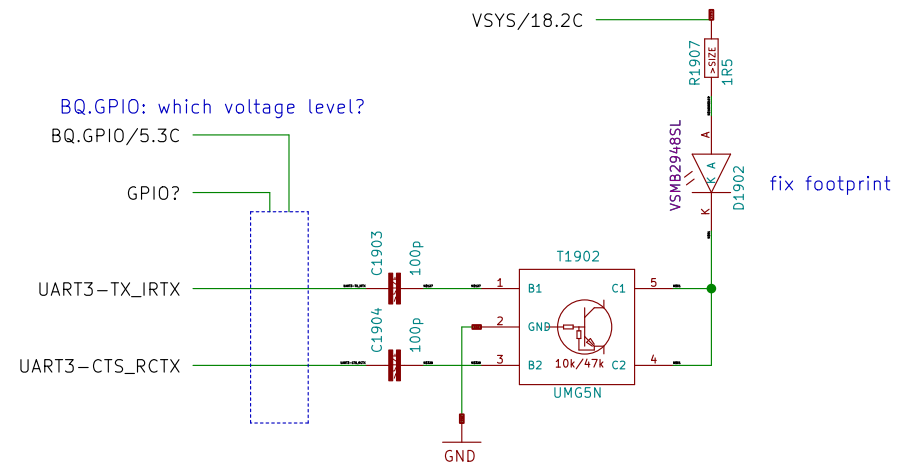
(c) 2015 Golden Delicious Computers GmbH&Co. KG. Licensed under CC-BY-SA.

Hackerbus			
Sheet: /Hackerbus/ File: neo900_SS_18.sch			
Title: neo900.sch			
Size: A3	Date: 17 JUL 2016	Rev:	
KiCad E.D.A. eeschema 4.1.0-alpha+201607120318+697546ubuntu16.04		19/08/2016	

NOTE: 1V8 may be quite noisy



Choose the right type, polarity, gain etc.



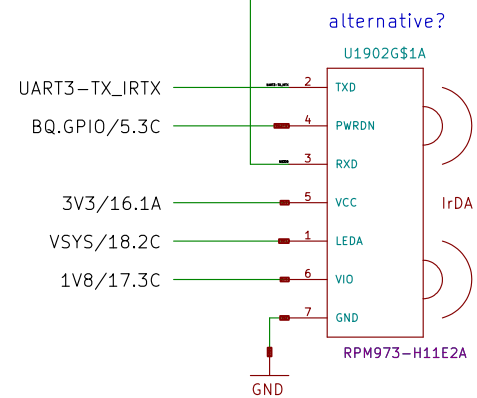
BQ.GPIO: which voltage level?

BQ.GPIO/5.3C

GPIO?

UART3-TX_IRTX

UART3-CTS_RCTX



(c) 2015 Golden Delicious Computers GmbH&Co. KG. Licensed under CC-BY-SA.

Infrared

Sheet: /Infrared/
File: neo900_SS_19.sch

Title: neo900.sch

Size: A3 Date: 17 JUL 2016

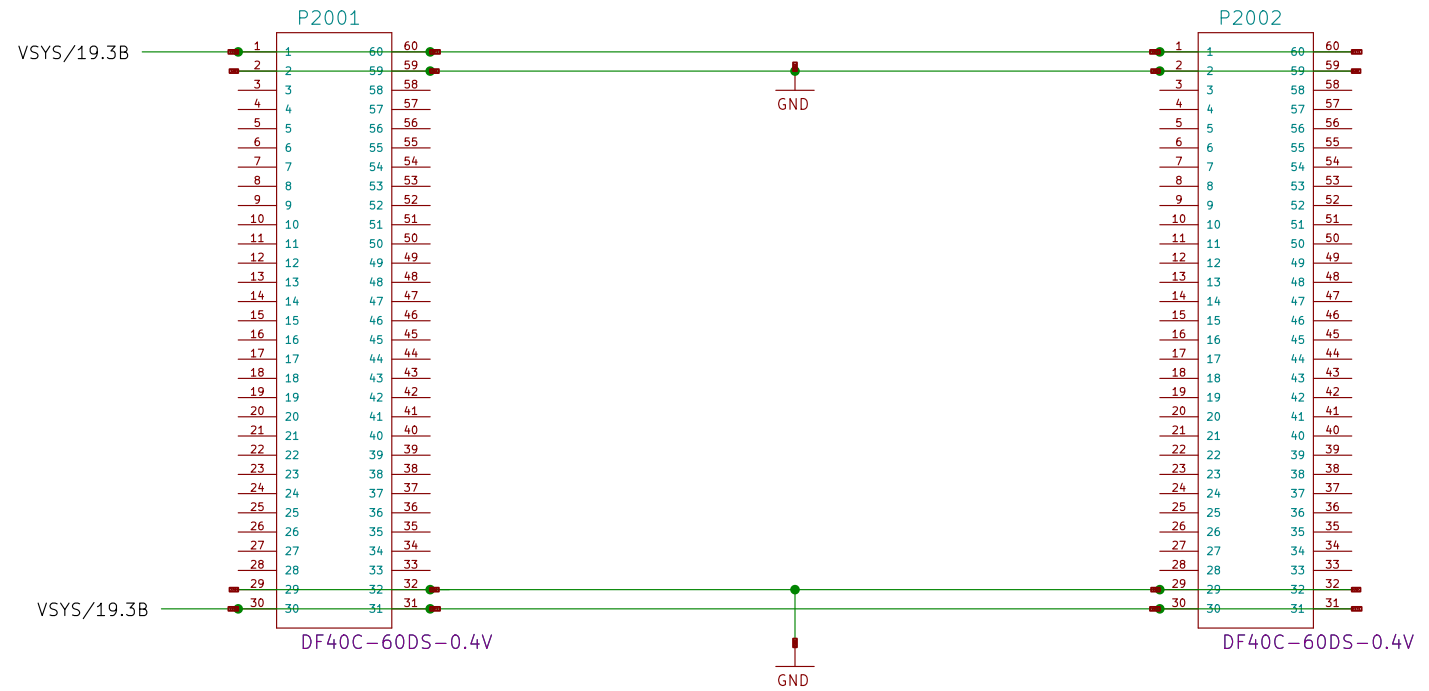
Rev:

KiCad E.D.A. eeschema 4.1.0-alpha+201607120318+697546ubuntu16.04-20160806

ca. 130 signals (to be counted exactly after definition of upper/lower split)

LOCK-GPIO/1.2A	GPIO-EN-MODEM/4.1A	GPIO-EN/9.1A	GPIO-EN/9.1A
POWERON/1.3A	I2C2-SDA/15.1A	MMC3-CLK/9.1A	MMC3-CLK/9.1A
GPIO-VOL+/1.2B	I2C2-SCL/15.1A	MMC3-CMD/9.1A	MMC3-CMD/9.1A
GPIO-VOL-/1.2B	INA231-INT/4.4C	MMC3-DATA0/9.1A	MMC3-DATA0/9.1A
CAM1-GPIO/1.3B	HDQ/5.2A	GPIO-WLAN-IRQ/9.1A	GPIO-WLAN-IRQ/9.1A
CAM2-GPIO/1.3C	GPIO\$70/8.3B	GPIO-BT-EN/9.1C	GPIO-BT-EN/9.1C
I2C3-SDA/10.4C	GPIO\$110/8.1D	UART1-RX/9.1C	UART1-RX/9.1C
I2C3-SCL/10.4C	N\$19/8.2D	UART1-RTS/9.1C	UART1-RTS/9.1C
CHG_IND/3.1B	N\$229/8.3C	UART1-CTS/9.1D	UART1-CTS/9.1D
N\$131/3.1C	ADC\$114/8.1C	UART1-TX/9.1D	UART1-TX/9.1D
N\$141/3.1C	ADC1/8.4C	MCBSP3-FCK/9.1D	MCBSP3-FCK/9.1D
N\$143/3.1C	ADC2/8.4C	MCBSP3-CLK/9.1D	MCBSP3-CLK/9.1D
BATTEMP/5.4A	GPIO-COMPARATOR/8.4D	MCBSP3-DR/9.1D	MCBSP3-DR/9.1D
GPIO-EN-MODEM/4.1A	MCBSP4-DR/6.2A	MCBSP3-DX/9.1D	MCBSP3-DX/9.1D
I2C2-SDA/15.1A	MCBSP4-DX/6.2A	SYSCLK/9.3C	SYSCLK/9.3C
I2C2-SCL/15.1A	MCBSP4-CLKX/6.2A	32KHZ/9.4A	32KHZ/9.4A
INA231-INT/4.4C	MCBSP4-FSX/6.2A	GPIO-FM-EN/9.3A	GPIO-FM-EN/9.3A
HDQ/5.2A	UART?-RTS/6.2C	GPIO-FMIRQ/9.3A	GPIO-FMIRQ/9.3A
GPIO\$70/8.3B	UART?-CTS/6.2C	MCBSP2-FCK/9.3A	MCBSP2-FCK/9.3A
GPIO\$110/8.1D	UART?-RX/6.2C	MCBSP2-CLK/9.3A	MCBSP2-CLK/9.3A
N\$19/8.2D	UART?-TX/6.2C	MCBSP2-DR/9.3A	MCBSP2-DR/9.3A
N\$229/8.3C	RING/6.2C	MCBSP2-DX/9.3A	MCBSP2-DX/9.3A
ADC\$114/8.1C	GPIO-MODEM_JGT/6.3A	GPIN115/10.3B	GPIN115/10.3B
ADC1/8.4C	GPIO-MODEM_EMERG/6.3A	GPIO56/10.3A	GPIO56/10.3A
ADC2/8.4C	EMERG_OFF/6.3B	GPIO\$51/10.3B	GPIO\$51/10.3B
GPIO-COMPARATOR/8.4D	PWR_IND/6.3B	GPIO\$55/10.4A	GPIO\$55/10.4A
MCBSP4-DR/6.2A	LC_IND/6.3B	GPIO\$56/10.4A	GPIO\$56/10.4A
MCBSP4-DX/6.2A	STATUS/6.3B	ACCEL-INT/10.4C	ACCEL-INT/10.4C
MCBSP4-CLKX/6.2A	3G-WOE/6.3B	N\$129/11.2A	N\$129/11.2A
MCBSP4-FSX/6.2A	GPIO\$52/8.4A	N\$148/11.1A	N\$148/11.1A
UART?-RTS/6.2C	GPIO-WLAN-EN/9.1A	N\$149/11.1A	N\$149/11.1A
UART?-CTS/6.2C	MMC3-CLK/9.1A	N\$150/11.1A	N\$150/11.1A
UART?-RX/6.2C	MMC3-CMD/9.1A	N\$153/11.1A	N\$153/11.1A
UART?-TX/6.2C	MMC3-DATA0/9.1A	N\$154/11.1A	N\$154/11.1A
RING/6.2C		GPIO-ECI1/13.3B	GPIO-ECI1/13.3B
GPIO-MODEM_JGT/6.3A		GPIO-ECIO/13.3C	GPIO-ECIO/13.3C
GPIO-MODEM_EMERG/6.3A		ECI-ADC/13.3C	ECI-ADC/13.3C
EMERG_OFF/6.3B		VMMC2/12.1A	VMMC2/12.1A
PWR_IND/6.3B		GPIO-HP-EN/12.1B	GPIO-HP-EN/12.1B
LC_IND/6.3B		GPIO\$60/12.2D	GPIO\$60/12.2D
STATUS/6.3B		GPIO177/12.4C	GPIO177/12.4C
3G-WOE/6.3B		GPIO-HF-EN/14.1B	GPIO-HF-EN/14.1B
GPIO\$52/8.4A		GPIO-FLASH-STR/15.1A	GPIO-FLASH-STR/15.1A
GPIO-WLAN-EN/9.1A		GPIO-FLASH-EN/15.1A	GPIO-FLASH-EN/15.1A
MMC3-CLK/9.1A		GPIO-FLASH-INT/15.1A	GPIO-FLASH-INT/15.1A
MMC3-CMD/9.1A		GPIO-BATT-LID/15.1B	GPIO-BATT-LID/15.1B
MMC3-DATA0/9.1A		SD-CMD/15.2A	SD-CMD/15.2A
		SD-CLK/15.2A	SD-CLK/15.2A
		SD-CD/15.2B	SD-CD/15.2B
		SD-VDD/15.2A	SD-VDD/15.2A
		SD-DAT0/15.2B	SD-DAT0/15.2B
		SD-DAT1/15.2B	SD-DAT1/15.2B
		SD-DAT2/15.2A	SD-DAT2/15.2A
		SD-DAT3/15.2A	SD-DAT3/15.2A
		VIB+/15.1D	VIB+/15.1D
		VIB-/15.1D	VIB-/15.1D
		3V3/19.1D	3V3/19.1D
		2V5/13.3B	2V5/13.3B
		1V8/19.1D	1V8/19.1D
		VBUS/18.1C	VBUS/18.1C
		OTG-D-/3.1B	OTG-D-/3.1B
		OTG-D+/3.1B	OTG-D+/3.1B
		OTG-ID/2.2B	OTG-ID/2.2B
		VBUS-MODEM/6.3B	VBUS-MODEM/6.3B
		USB-WWAN-D+/18.3A	USB-WWAN-D+/18.3A
		USB-WWAN-D-/18.3A	USB-WWAN-D-/18.3A
		2V7/8.4C	2V7/8.4C
		GPIO-CAM-COVER/15.1B	GPIO-CAM-COVER/15.1B
		N\$38	N\$38

Pin assignment must be optimized for final component placement
we might have to switch to 80 or 100 pin connectors



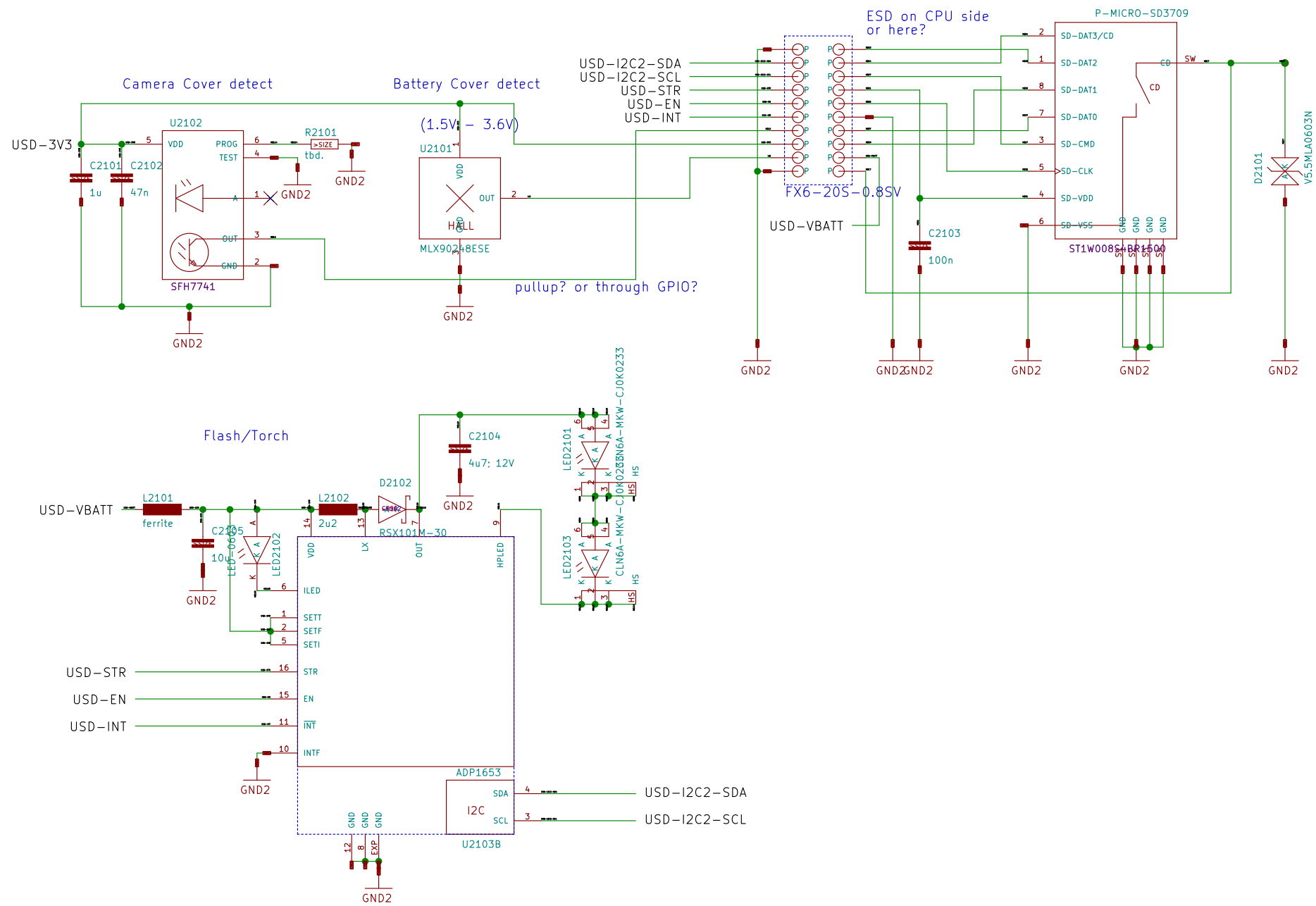
(c) 2014 Golden Delicious Computers GmbH&Co. KG. Licensed under CC-BY-SA.

B2B to UPPER

Sheet: /B2B to UPPER/
File: neo900_SS_20.sch

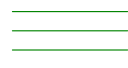
Title: neo900.sch

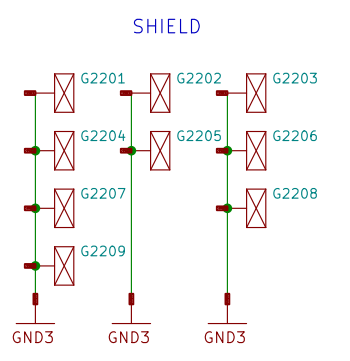
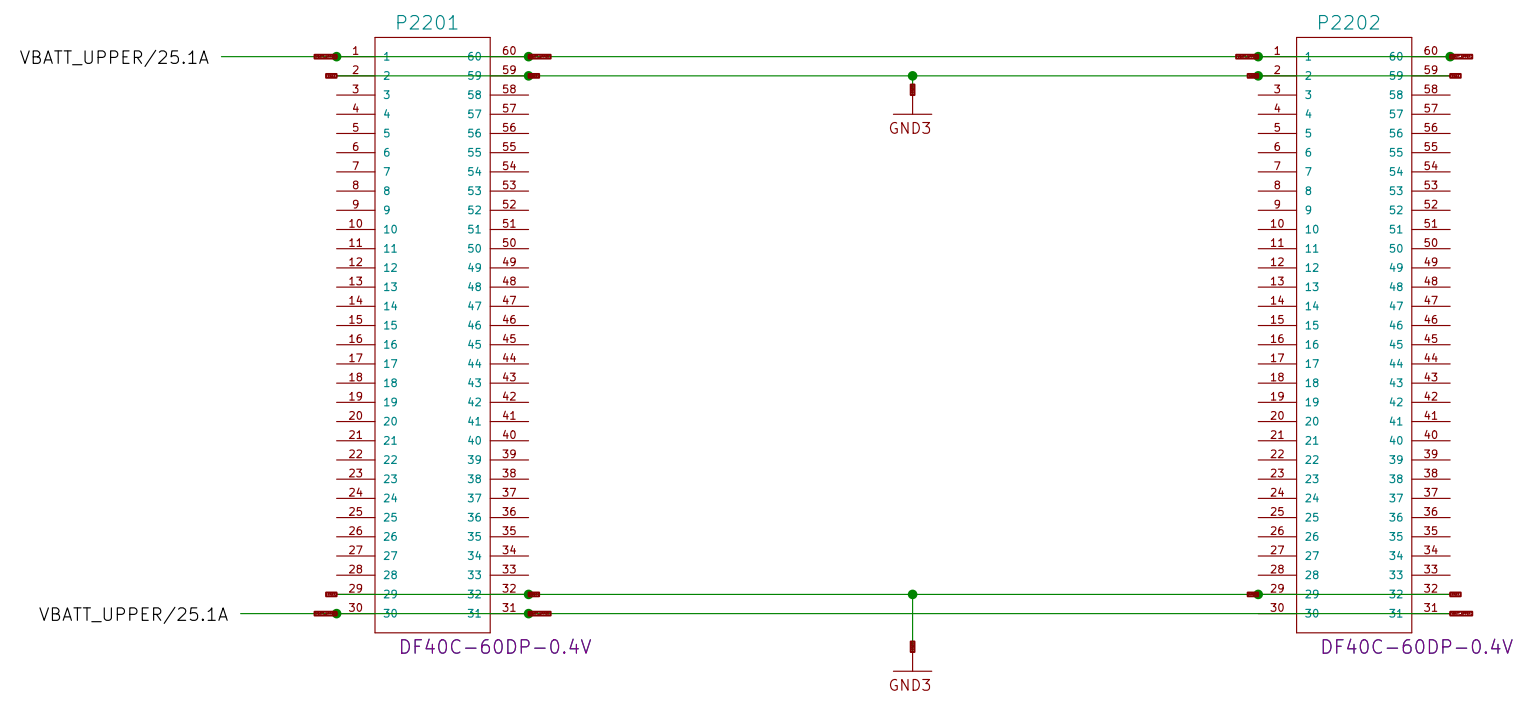
Size: A3	Date: 17 JUL 2016	Rev:
KiCad E.D.A. eeschema 4.1.0-alpha+201607120318+697546ubuntu16.04-21.0.ct		



(c) 2014 Golden Delicious Computers GmbH&Co. KG. Licensed under CC-BY-SA.

uSD Breakout Board			
Sheet: /uSD Breakout Board/ File: neo900_SS_21.sch			
Title: neo900.sch			
Size: A3	Date: 17 JUL 2016	Rev:	
KiCad E.D.A. eeschema 4.1.0-alpha+201607120318+697546ubuntu16.04		20160801	

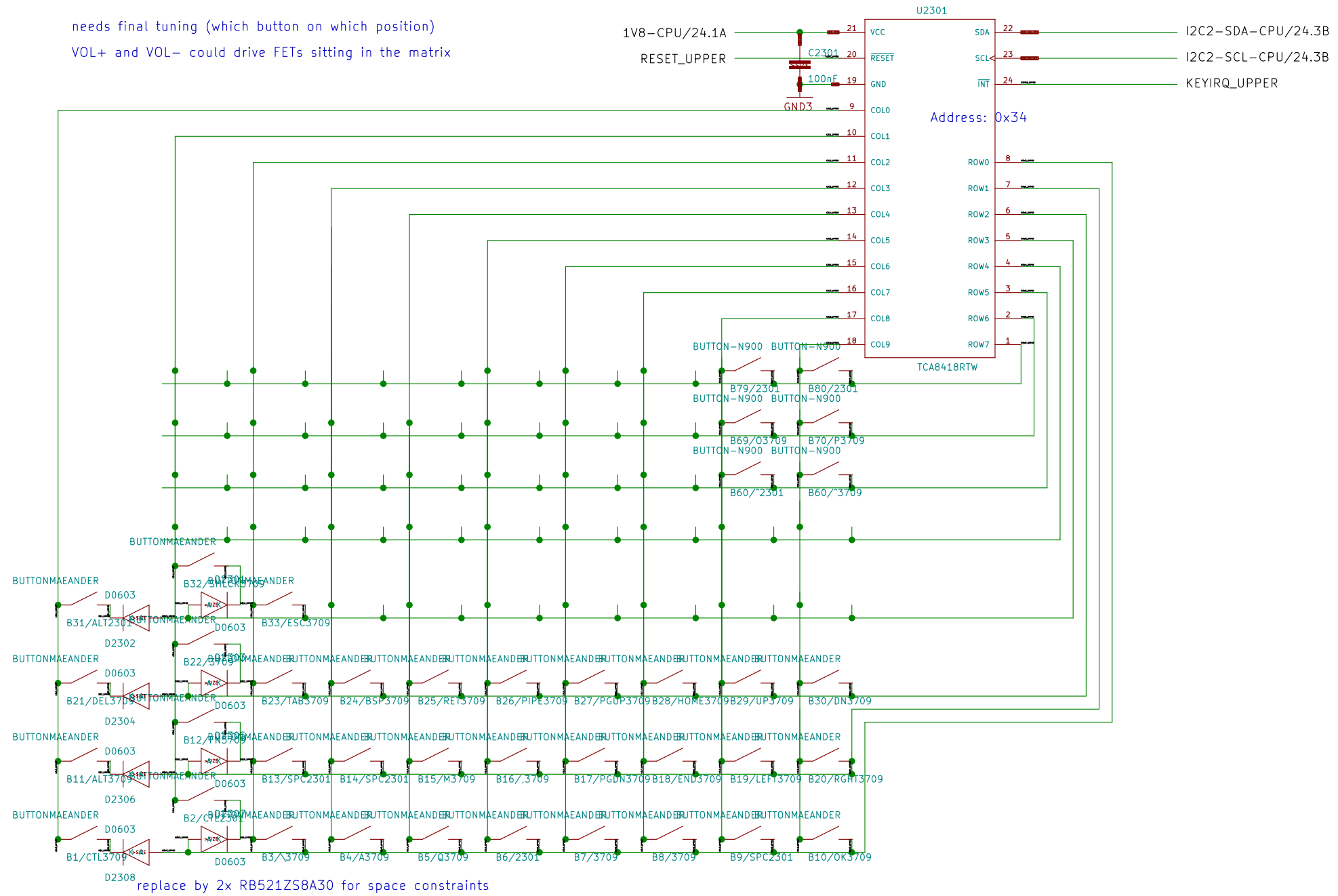

 to be adjusted to lower board connector



(c) 2014 Golden Delicious Computers GmbH&Co. KG. Licensed under CC-BY-SA.

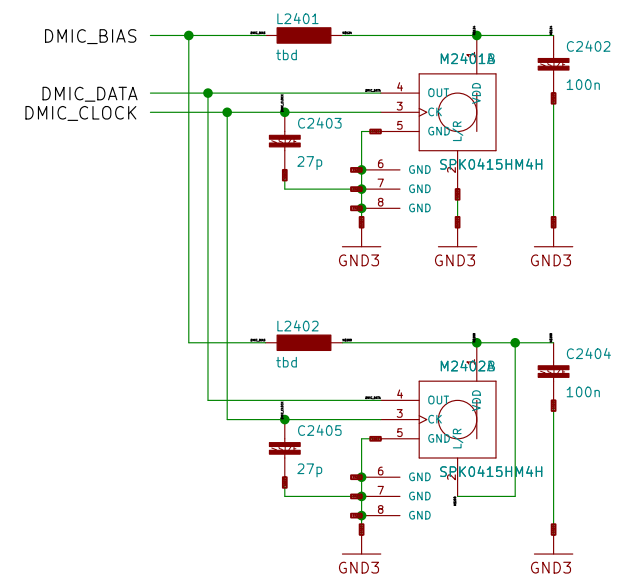
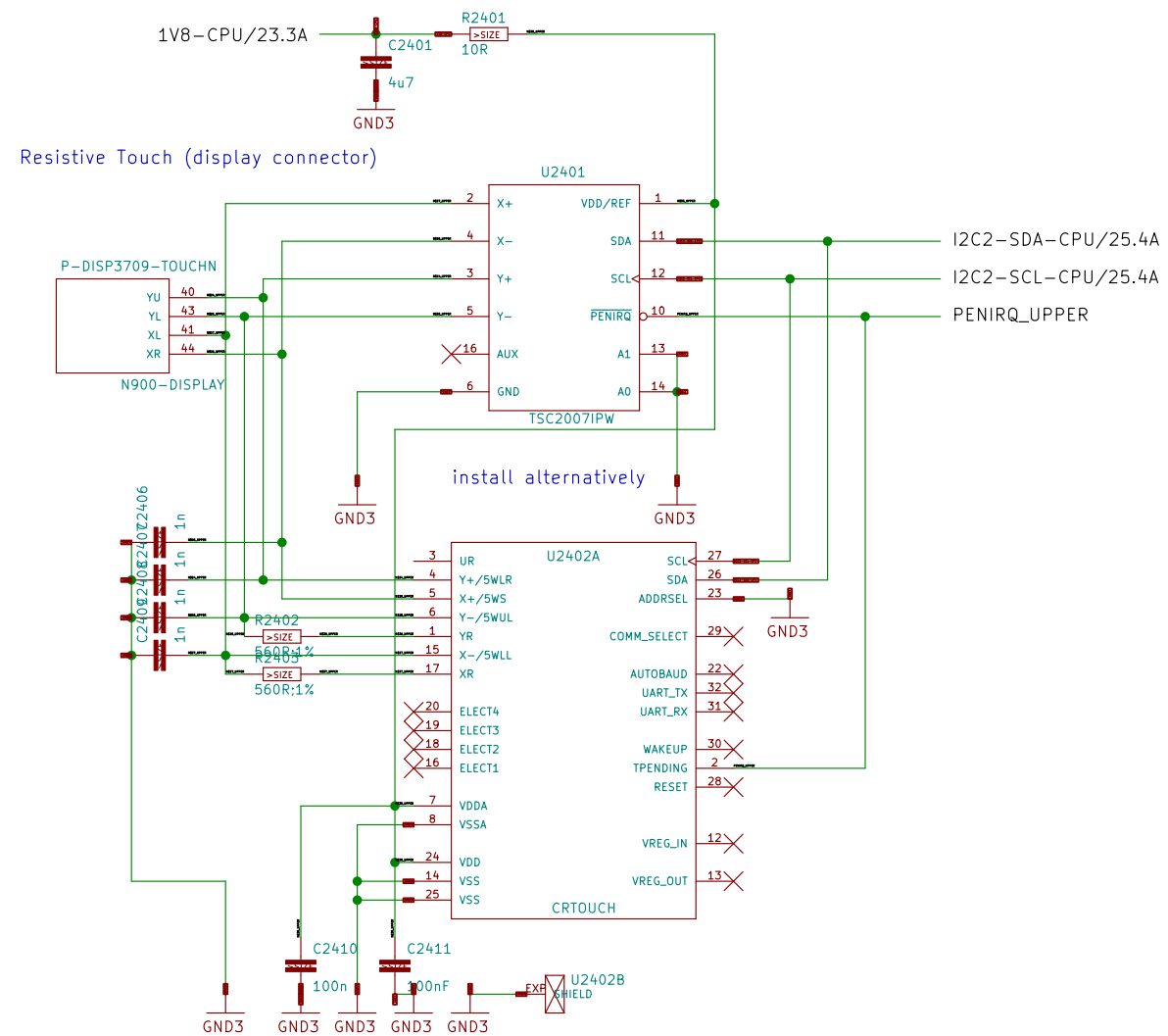
B2B to LOWER		
Sheet: /B2B to LOWER/ File: neo900_SS_22.sch		
Title: neo900.sch		
Size: A3	Date: 17 JUL 2016	Rev:
KiCad E.D.A. eeschema 4.1.0-alpha+201607120318+697546ubuntu16.04		1-23/36ct

needs final tuning (which button on which position)
 VOL+ and VOL- could drive FETs sitting in the matrix



(c) 2014 Golden Delicious Computers GmbH&Co. KG. Licensed under CC-BY-SA.

Keypad			
Sheet: /Keypad/ File: neo900_SS_23.sch			
Title: neo900.sch			
Size: A3	Date: 17 JUL 2016	Rev:	
KiCad E.D.A. eeschema 4.1.0-alpha+201607120318+697546ubuntu16.04		24/08/16	



(c) 2014 Golden Delicious Computers GmbH&Co. KG. Licensed under CC-BY-SA.

Display-Peripherals

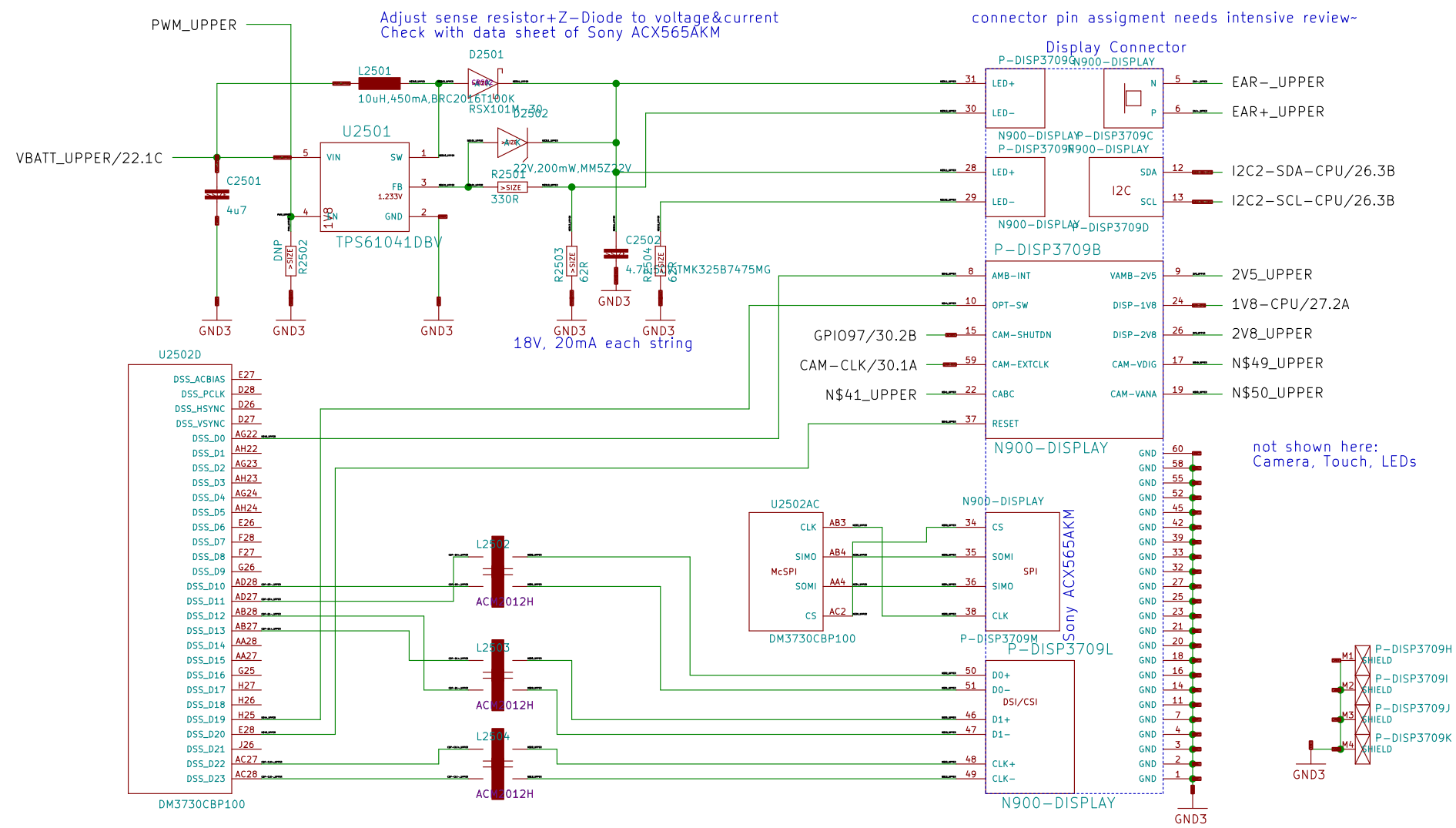
Sheet: /Display-Peripherals/
File: neo900_SS_24.sch

Title: neo900.sch

Size: A3 Date: 17 JUL 2016

Rev:

KiCad E.D.A. eeschema 4.1.0-alpha+201607120318+697546ubuntu16.04.1-25.06.ct



(c) 2014 Golden Delicious Computers GmbH&Co. KG. Licensed under CC-BY-SA.

Display-Panel&Power

Sheet: /Display-Panel&Power/
File: neo900_SS_25.sch

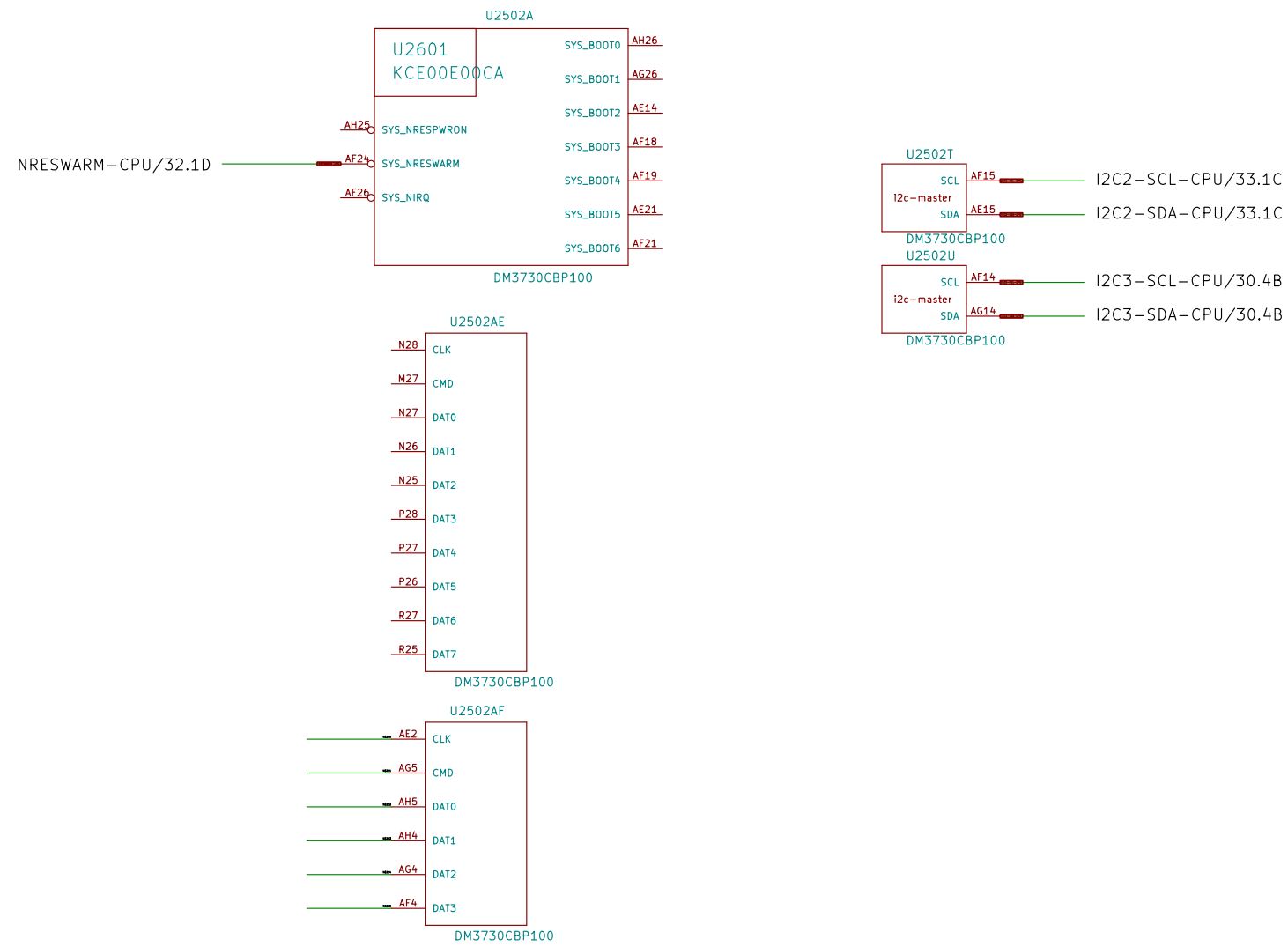
Title: neo900.sch

Size: A3 Date: 17 JUL 2016

Rev:

KiCad E.D.A. eeschema 4.1.0-alpha+201607120318+697546ubuntu16.04-26.0.ct

INCOMPLETE in V2



(c) 2014 Golden Delicious Computers GmbH&Co. KG. Licensed under CC-BY-SA.

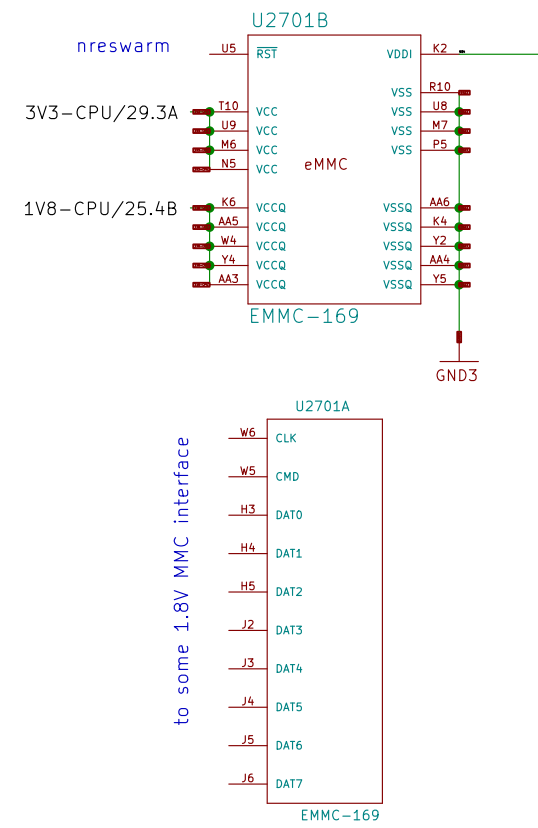
CPU + PoP RAM/NAND

Sheet: /CPU + PoP RAM/NAND/
File: neo900_SS_26.sch

Title: neo900.sch

Size: A3	Date: 17 JUL 2016	Rev:
KiCad E.D.A. - eeschema 4.1.0-alpha+201607120318+697546ubuntu16.04		1-27/36ct

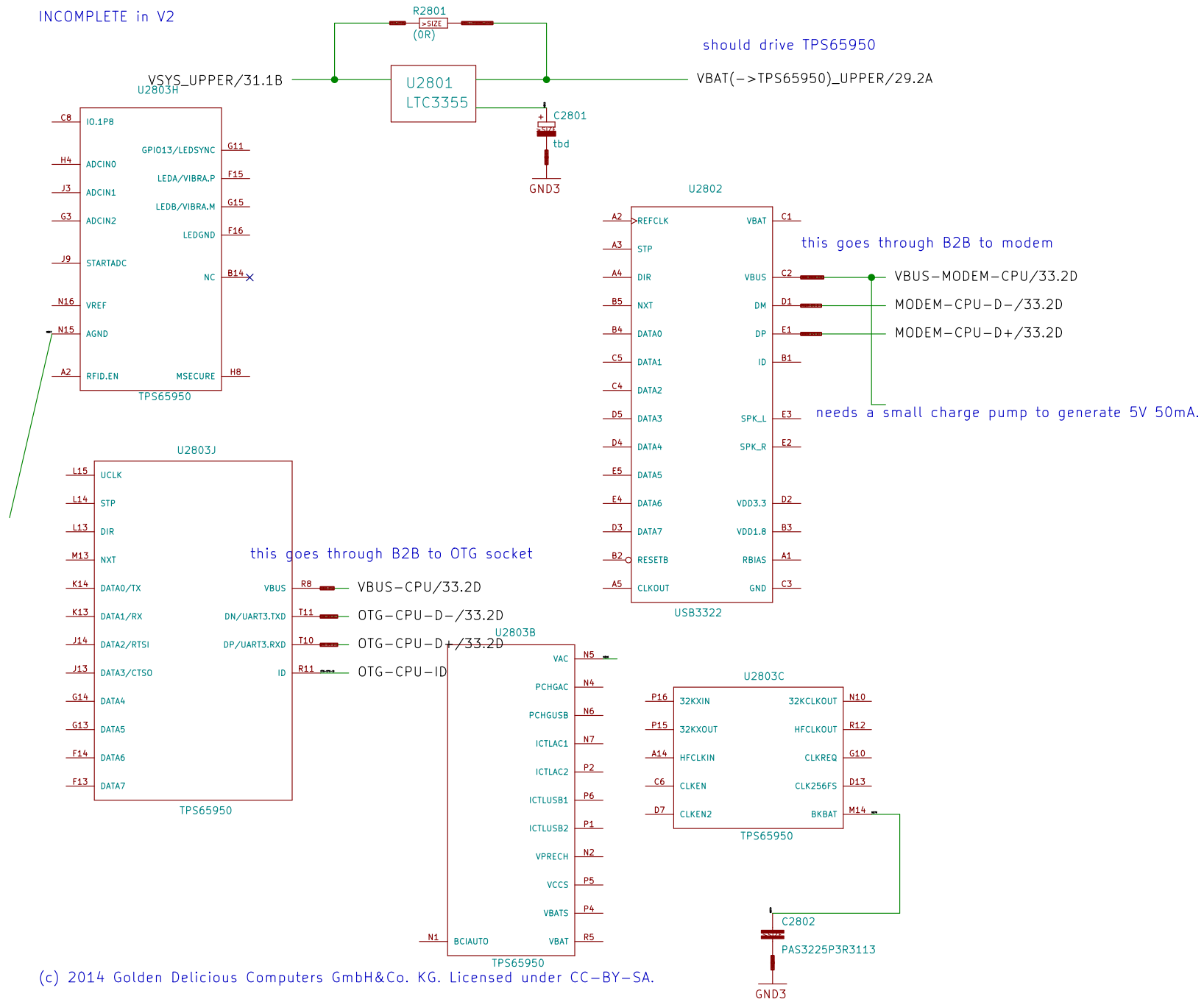
INCOMPLETE in V2



(c) 2014 Golden Delicious Computers GmbH&Co. KG. Licensed under CC-BY-SA.

eMMC		
Sheet: /eMMC/ File: neo900_SS_27.sch		
Title: neo900.sch		
Size: A3	Date: 17 JUL 2016	Rev:
KiCad E.D.A. eeschema 4.1.0-alpha+201607120318+697546ubuntu16.04		1-28/36ct

INCOMPLETE in V2



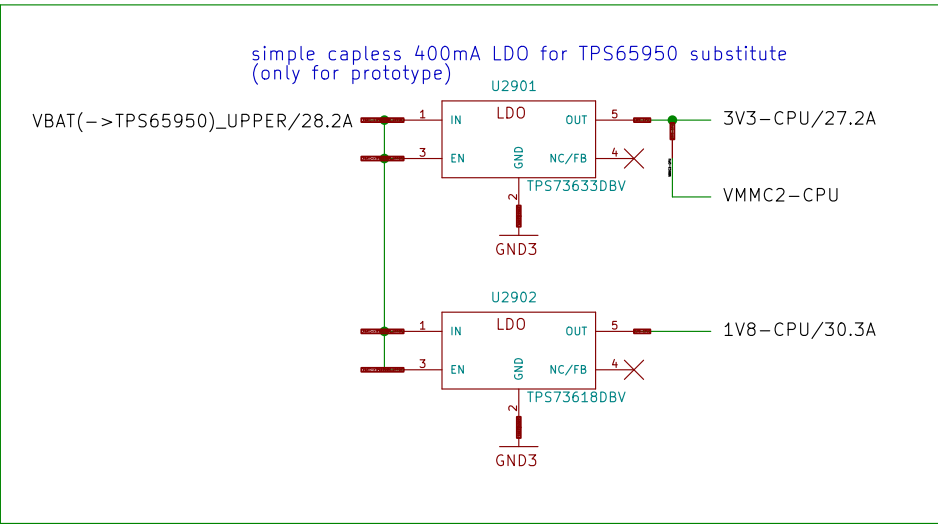
(c) 2014 Golden Delicious Computers GmbH&Co. KG. Licensed under CC-BY-SA.

PMU+Codec

Sheet: /PMU+Codec/
File: neo900_SS_28.sch

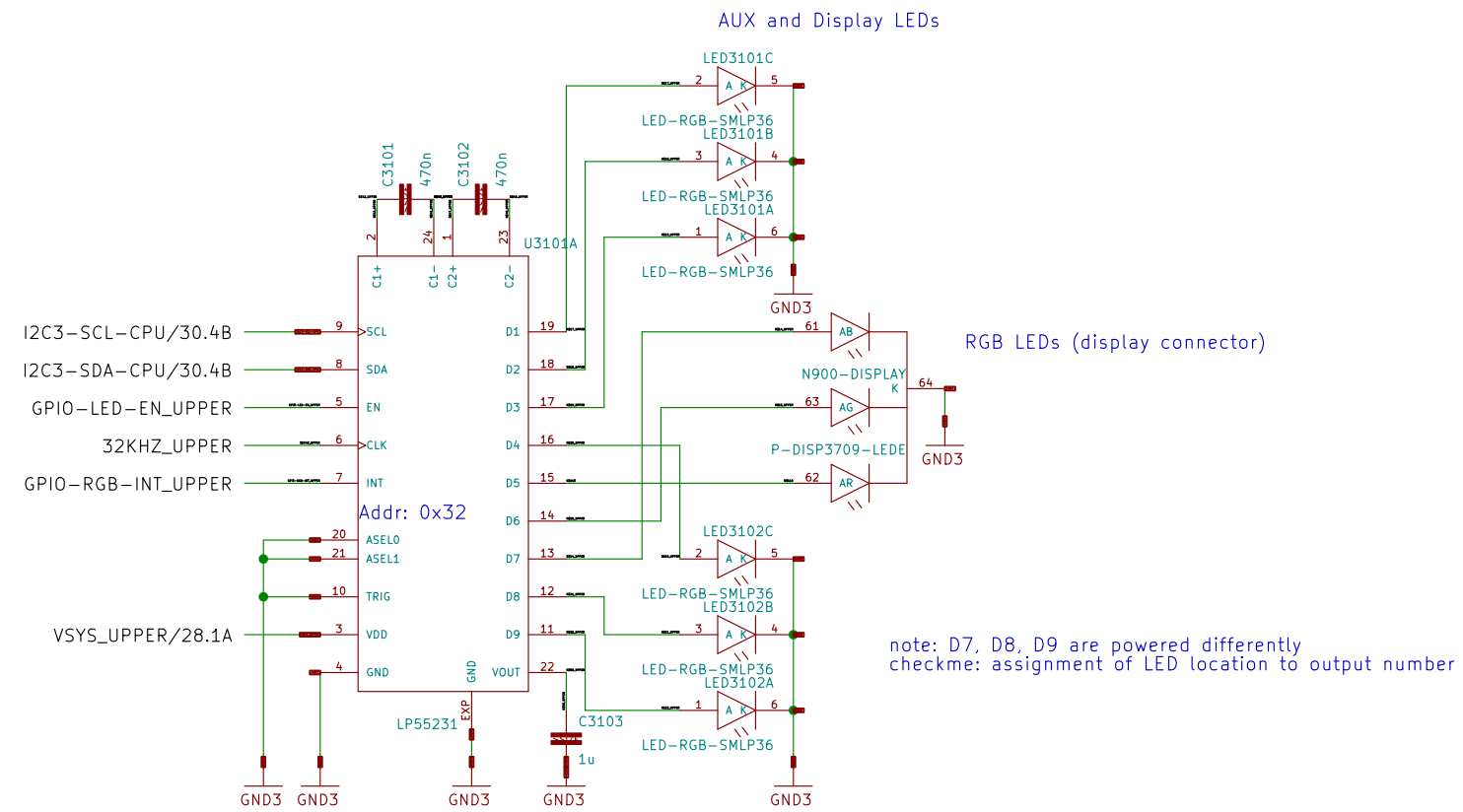
Title: neo900.sch

Size: A3	Date: 17 JUL 2016	Rev:
KiCad E.D.A. eeschema 4.1.0-alpha+201607120318+697546ubuntu16.04		1-29 Oct



(c) 2014 Golden Delicious Computers GmbH&Co. KG. Licensed under CC-BY-SA.

BB-XM Dummy (TWL4030)			
Sheet: /BB-XM Dummy (TWL4030)/			
File: neo900_SS_29.sch			
Title: neo900.sch			
Size: A3	Date: 17 JUL 2016	Rev:	
KiCad E.D.A. eeschema 4.1.0-alpha+201607120318+697546ubuntu16.04		1-30/36ct	



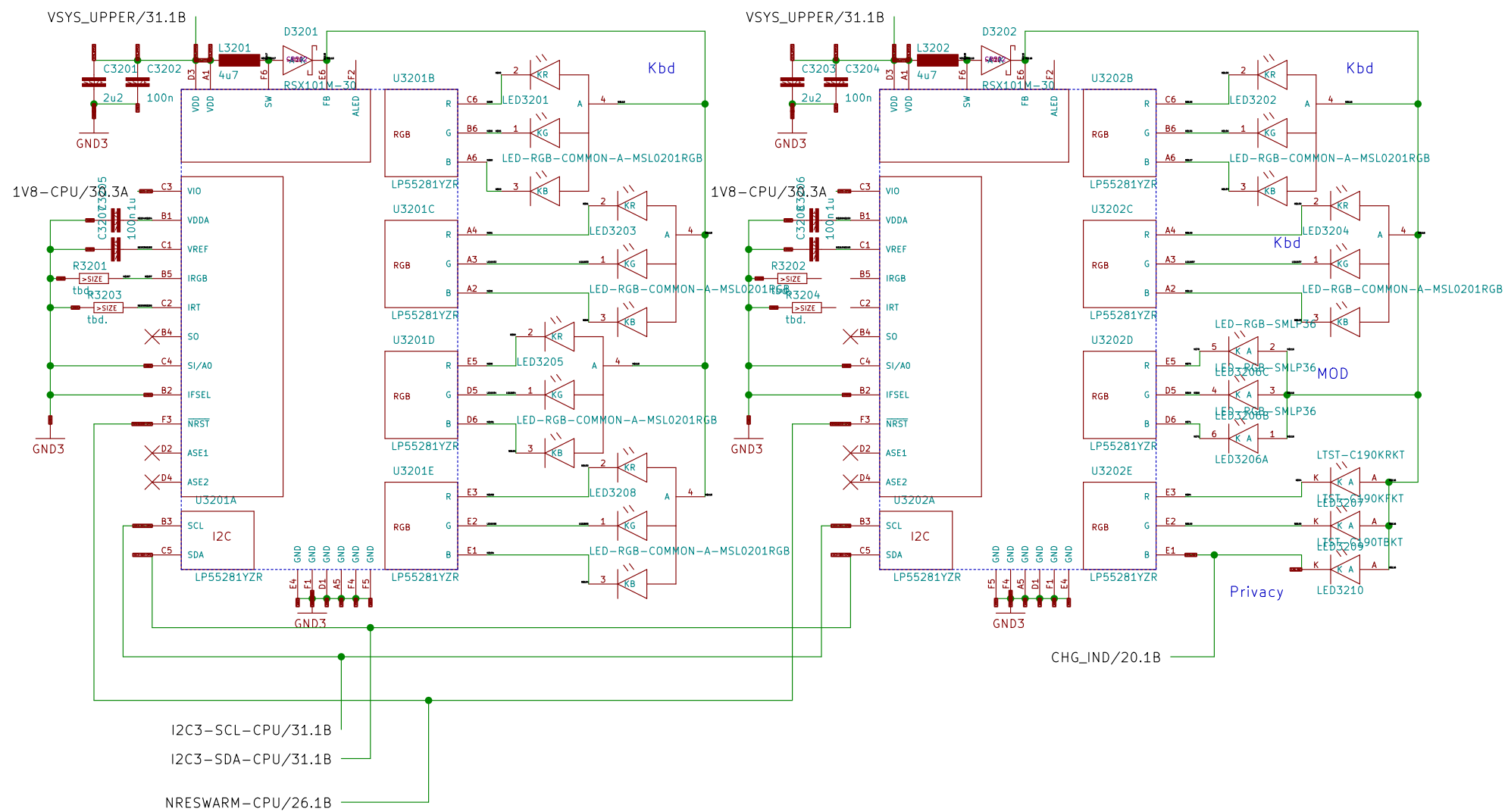
(c) 2014 Golden Delicious Computers GmbH&Co. KG. Licensed under CC-BY-SA.

LEDs

Sheet: /LEDs/
File: neo900_SS_31.sch

Title: neo900.sch

Size: A3	Date: 17 JUL 2016	Rev:
KiCad E.D.A. eeschema 4.1.0-alpha+201607120318+697546ubuntu16.04		1-32/36ct



(c) 2014 Golden Delicious Computers GmbH&Co. KG. Licensed under CC-BY-SA.

Fancy LEDs

Sheet: /Fancy LEDs/
File: neo900_SS_32.sch

Title: neo900.sch

Size: A3 Date: 17 JUL 2016

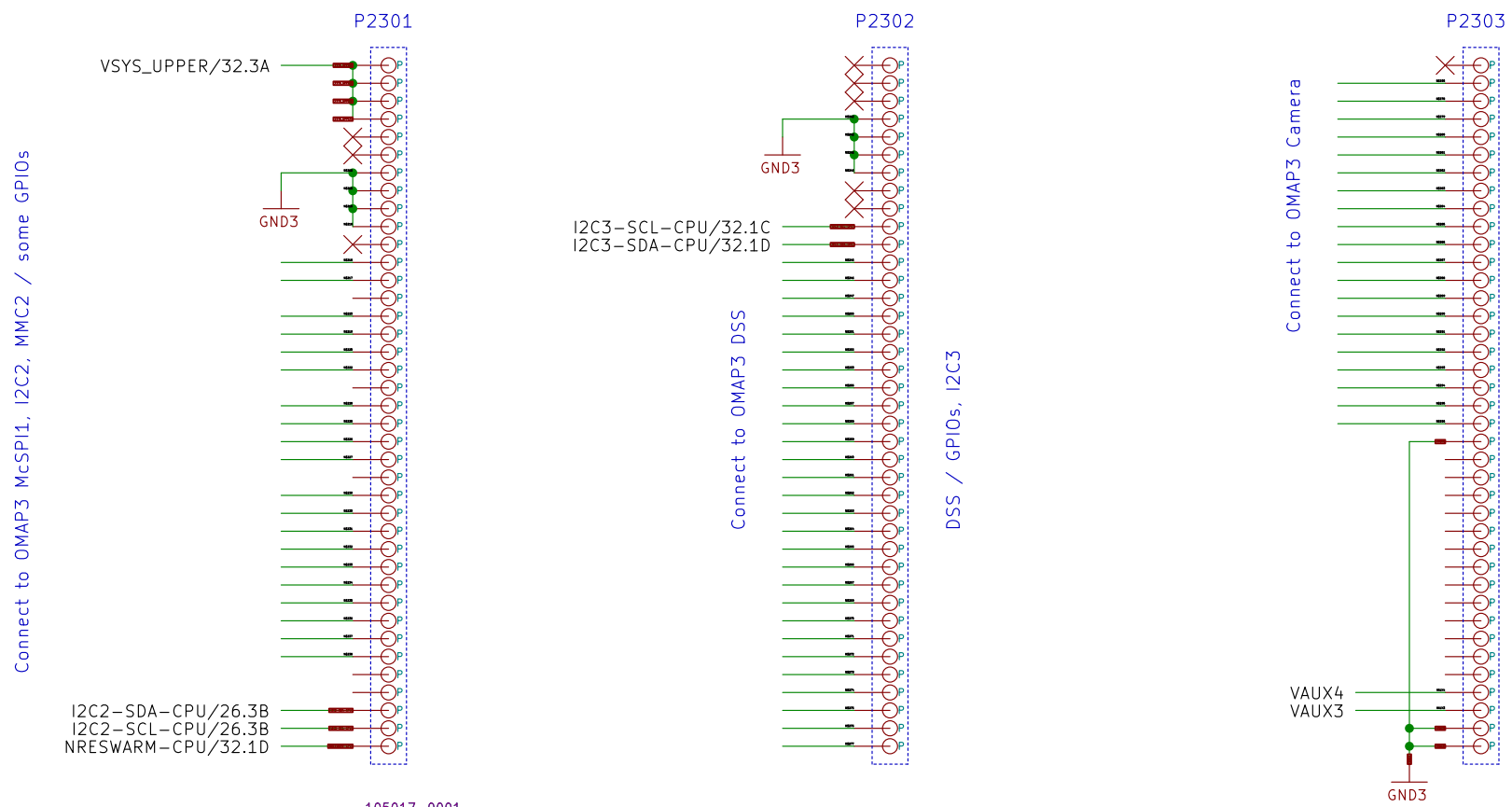
Rev:

KiCad E.D.A. eeschema 4.1.0-alpha+201607120318+697546ubuntu16.04-13/16 Oct 16

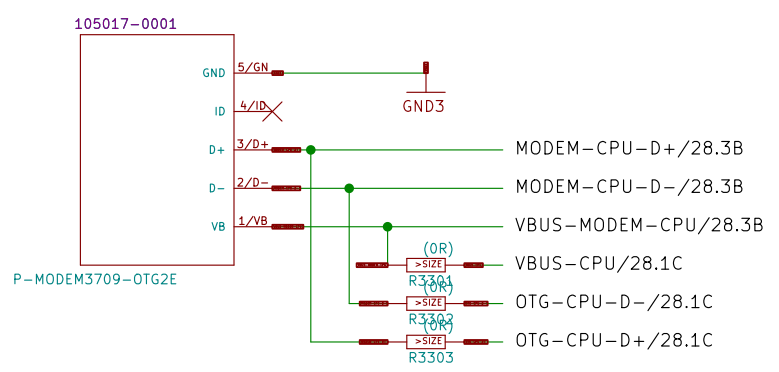
These connectors allow to "emulate" the DM3730 by connecting a BB-XM

INCOMPLETE
prototype only

connect to respective CPU-pads



connect to BB
by some Micro-USB cable



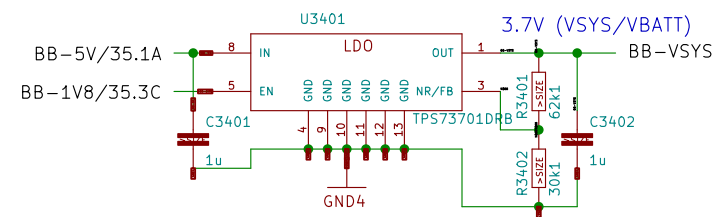
(c) 2014 Golden Delicious Computers GmbH&Co. KG. Licensed under CC-BY-SA.

Connector to BB-XM

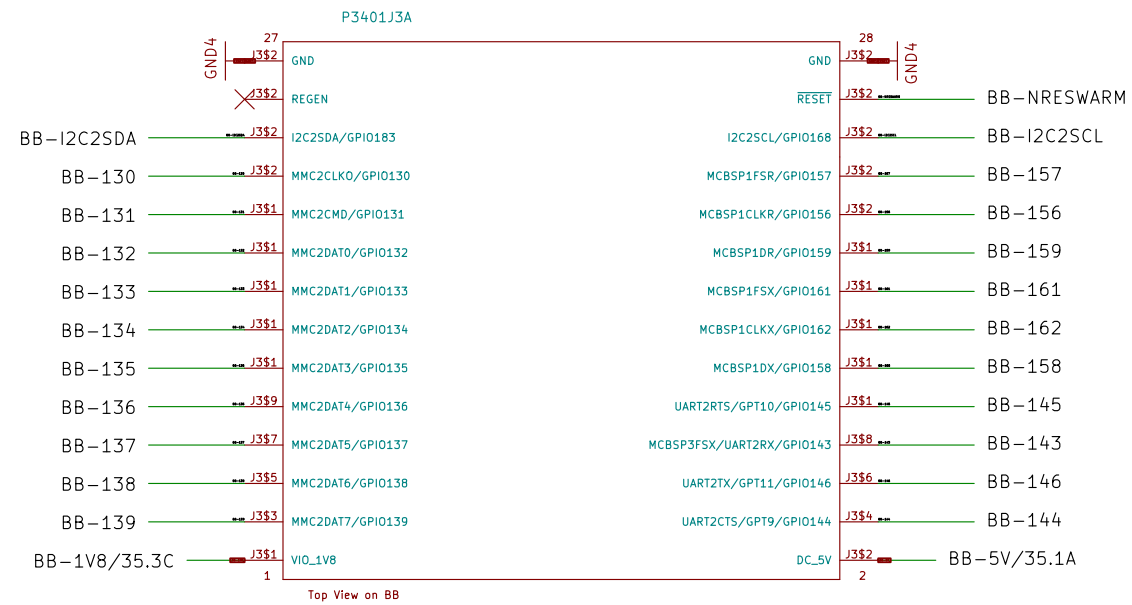
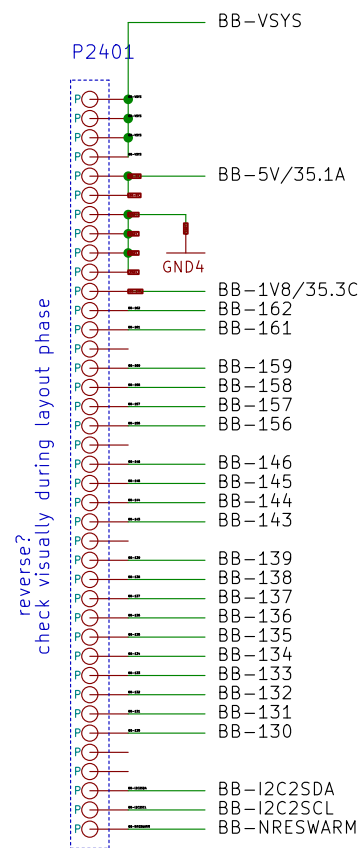
Sheet: /Connector to BB-XM/
File: neo900_SS_33.sch

Title: neo900.sch

Size: A3	Date: 17 JUL 2016	Rev:
KiCad E.D.A. eeschema 4.1.0-alpha+201607120318+697546ubuntu16.04		4/3/2016



Ersetzen durch 2A buck converter



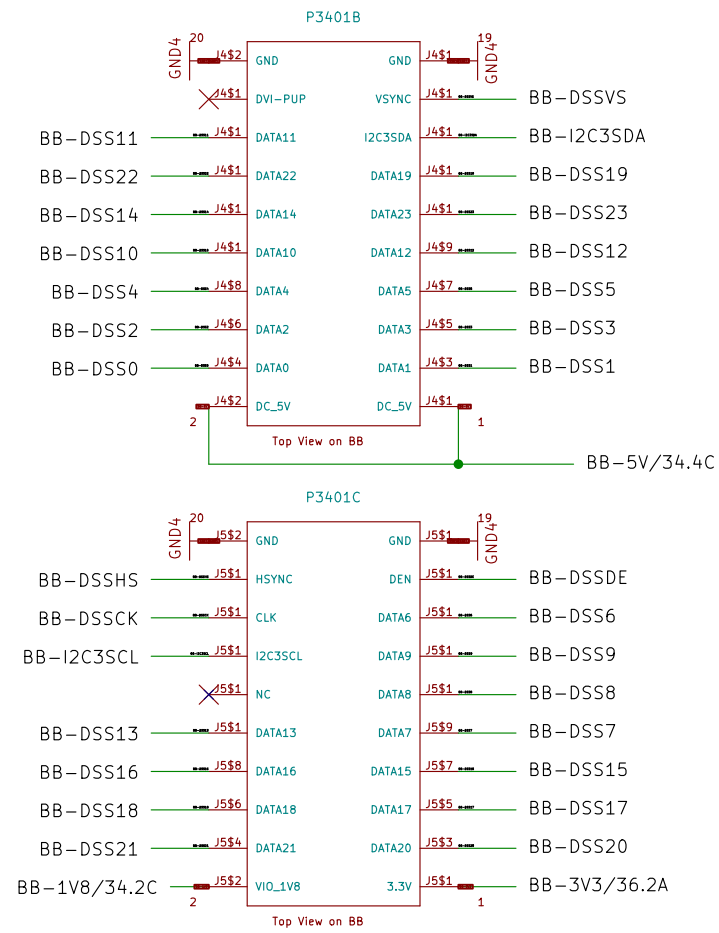
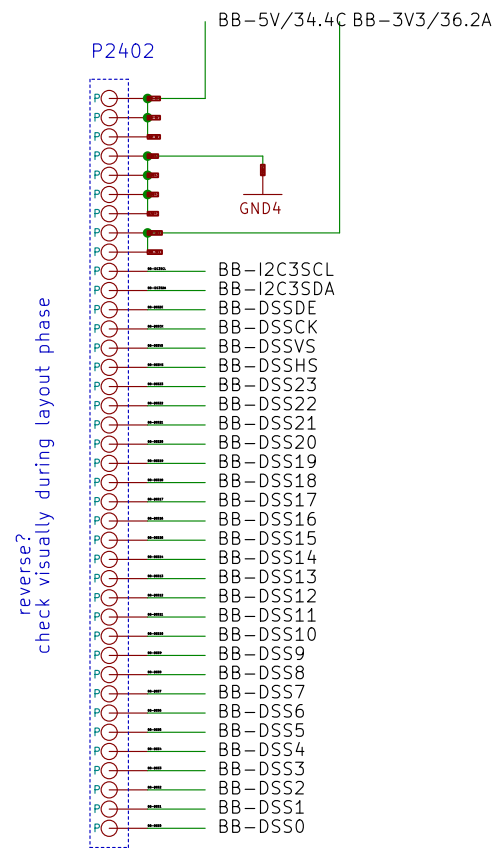
(c) 2014 Golden Delicious Computers GmbH&Co. KG. Licensed under CC-BY-SA.

BB-XM Adapter (CPU)

Sheet: /BB-XM Adapter (CPU)/
File: neo900_SS_34.sch

Title: neo900.sch

Size: A3	Date: 17 JUL 2016	Rev:
KiCad E.D.A. eeschema 4.1.0-alpha+201607120318+697546ubuntu16.04		1-36/36



(c) 2014 Golden Delicious Computers GmbH&Co. KG. Licensed under CC-BY-SA.

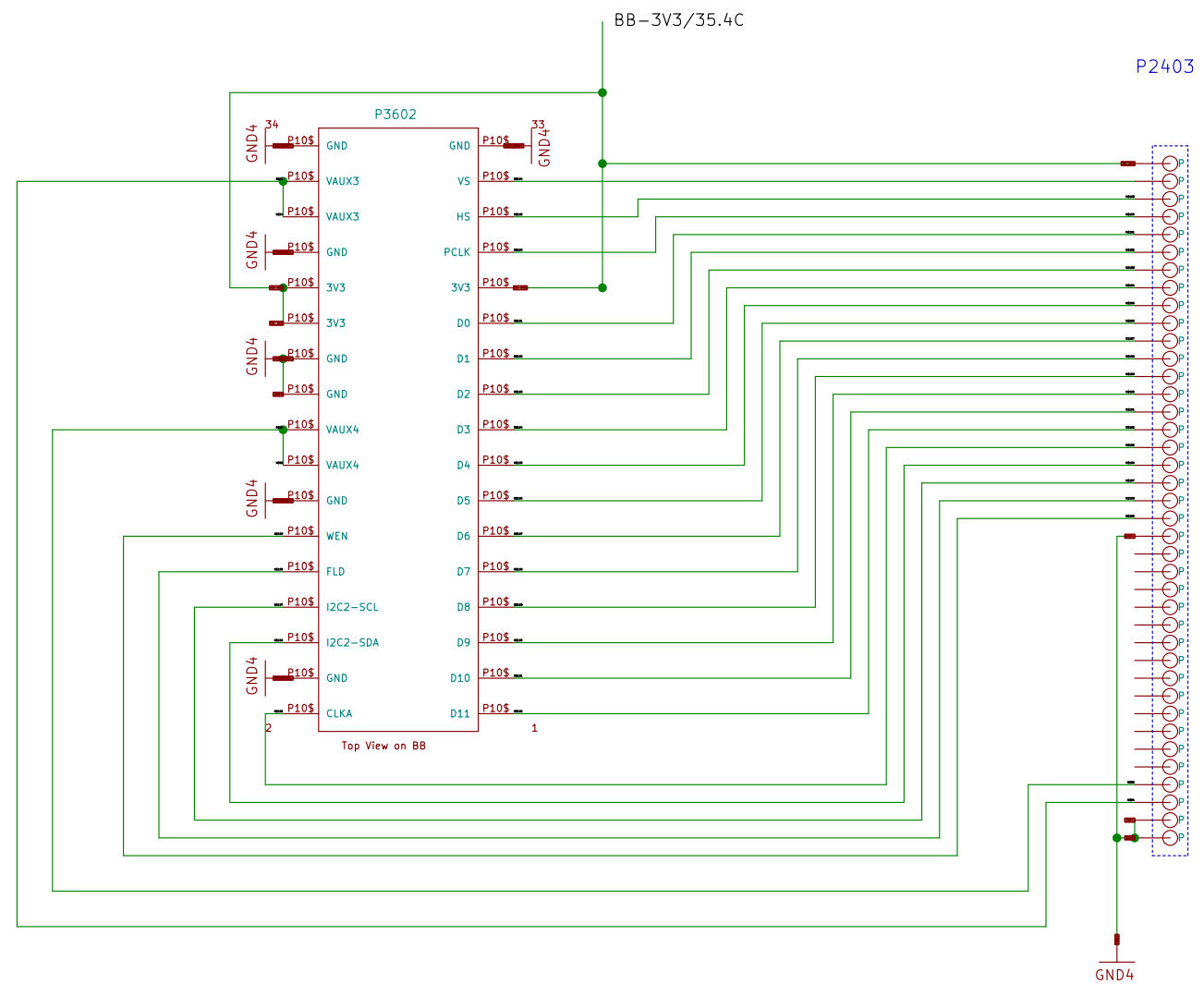
BB-XM Adapter (DISP)

Sheet: /BB-XM Adapter (DISP)/
File: neo900_SS_35.sch

Title: neo900.sch

Size: A3 Date: 17 JUL 2016

KiCad E.D.A. eeschema 4.1.0-alpha+201607120318+697546ubuntu16.04-160808ct Rev: 1.0



(c) 2014 Golden Delicious Computers GmbH&Co. KG. Licensed under CC-BY-SA.

BB-XM Adapter (CAM)

Sheet: /BB-XM Adapter (CAM)/
File: neo900_SS_36.sch

Title: neo900.sch

Size: A3	Date: 17 JUL 2016	Rev:
KiCad E.D.A. eeschema 4.1.0-alpha+201607120318+697546ubuntu16.04		1/1

Molex Jumper cables to connect BB-XM-Adapter to Uppwer board

N3701 15015-0439	N3702 15015-0439	N3703 15015-0439
CPU	DISP	CAM

N3704 N900 case assembly

N3705 N97-CAMERA-HOLE

N3706 headset jack

N3707 STENCIL-TOP

N3708 STENCIL-BOTTOM

(c) 2014 Golden Delicious Computers GmbH&Co. KG. Licensed under CC-BY-SA.

No-Solder Components

Sheet: /No-Solder Components/
File: neo900_SS_37.sch

Title: neo900.sch

Size: A3 Date: 17 JUL 2016

KiCad E.D.A. eeschema 4.1.0-alpha+201607120318+697546ubuntu16.04-1p06ct **Rev:** 1.0