

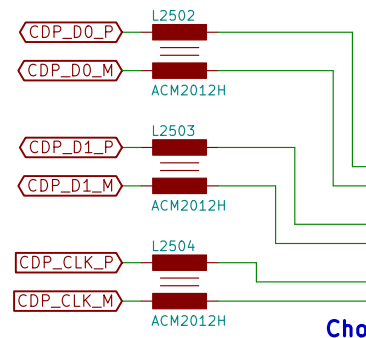
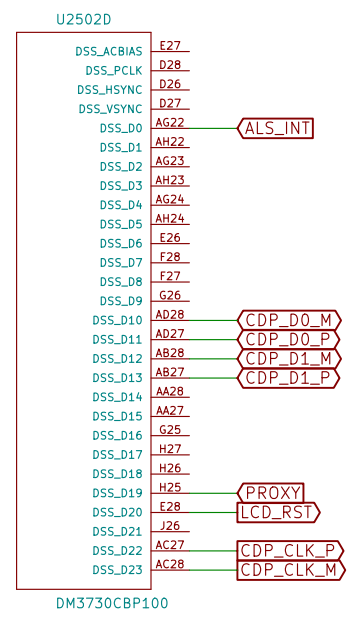
EWL, GPIO6/PWM1, ball M6

ESD, choke, caps ?

ESD

TODO: 22k on PROXY ? (N900)

Bead + C on power supplies ?



ESD
ESD
ESD
ESD, PU ?

Choke is enough for ESD ?

not shown here:
Camera, Touch, LEDs

