

Click | Here

This sheet: index

Sheet: OTG
File: neo900_SS_2.sch
OTG & Switches

Sheet: Charger/OTG-Booster
File: neo900_SS_3.sch
Charger/OTG-Booster

Sheet: Modem Power
File: neo900_SS_4.sch
Modem Power

Sheet: Fuel Gauge
File: neo900_SS_5.sch
Fuel Gauge

Sheet: 3G/4G Modem + SIM
File: neo900_SS_6.sch
3G/4G Modem + SIM

Sheet: Dual SIM switch
File: neo900_SS_7.sch
Dual SIM switch

Sheet: Antenna connections
File: neo900_SS_8.sch
Antenna connections

Sheet: WLAN, Bluetooth, FM
File: neo900_SS_9.sch
WLAN, Bluetooth, FM

Sheet: Sensors
File: neo900_SS_10.sch
Sensors

Sheet: Audio Codec
File: neo900_SS_11.sch
Audio Codec

Sheet: Audio Headset + Mic
File: neo900_SS_12.sch
Audio Headset + Mic

Sheet: ECI
File: neo900_SS_13.sch
ECI

Sheet: Audio Handsfree
File: neo900_SS_14.sch
Audio Handsfree

Sheet: Misc
File: neo900_SS_15.sch
Misc

Sheet: RFID/NFC Reader
File: neo900_SS_16.sch
RFID/NFC Reader

Sheet: RFID/NFC Controller
File: neo900_SS_17.sch
RFID/NFC Controller

Sheet: Hackerbus
File: neo900_SS_18.sch
Hackerbus

Sheet: Infrared
File: neo900_SS_19.sch
Infrared

Sheet: B2B LOWER-UPPER
File: neo900_SS_20.sch
B2B LOWER-UPPER

Sheet: uSD Breakout Board
File: neo900_SS_21.sch
uSD Breakout Board

Sheet: empty
File: neo900_SS_22.sch
empty

Sheet: Keypad
File: neo900_SS_23.sch
Keypad

Sheet: Display-Peripherals
File: neo900_SS_24.sch
Display-Peripherals

Sheet: Display-Panel&Power
File: neo900_SS_25.sch
Display-Panel&Power

Click | Here

Sheet: CPU + PoP RAM/NAND
File: neo900_SS_26.sch
CPU + PoP RAM/NAND

Sheet: eMMC
File: neo900_SS_27.sch
eMMC

Sheet: PMU+Codec
File: neo900_SS_28.sch
PMU+Codec

Sheet: BB-XM Dummy (TWL4030)
File: neo900_SS_29.sch
BB-XM Dummy (TWL4030)

Sheet: Camera
File: neo900_SS_30.sch
Camera

Sheet: Fancy LEDs
File: neo900_SS_31.sch
Fancy LEDs

Sheet: Basic LEDs
File: neo900_SS_32.sch
Basic LEDs

Sheet: Connector to BB-XM
File: neo900_SS_33.sch
Connector to BB-XM

Sheet: BB-XM Adapter (CPU)
File: neo900_SS_34.sch
BB-XM Adapter (CPU)

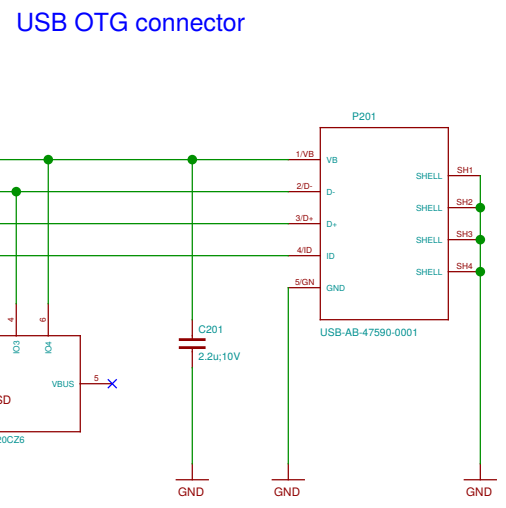
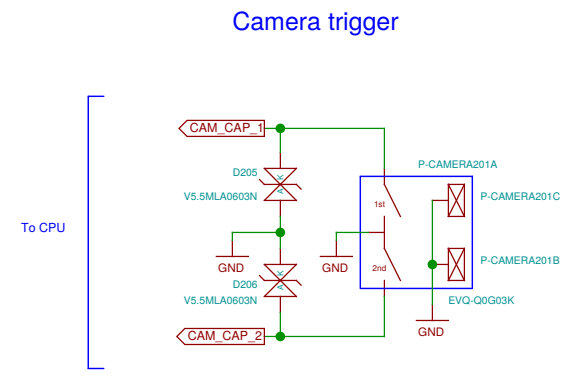
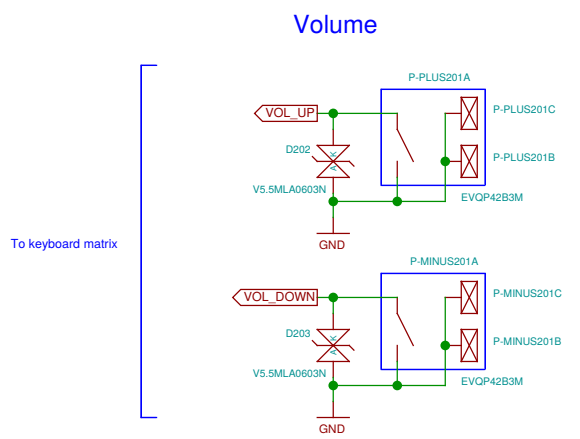
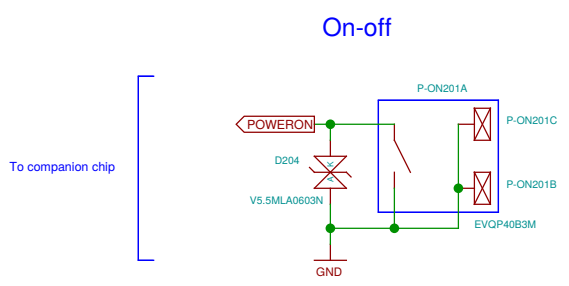
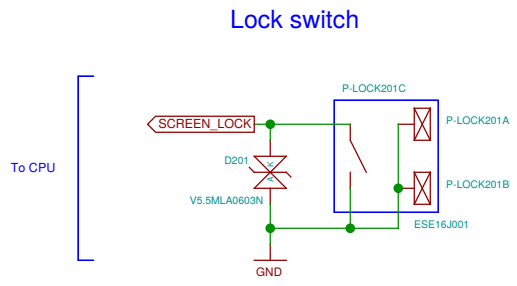
Sheet: BB-XM Adapter (DISP)
File: neo900_SS_35.sch
BB-XM Adapter (DISP)

Sheet: BB-XM Adapter (CAM)
File: neo900_SS_36.sch
BB-XM Adapter (CAM)

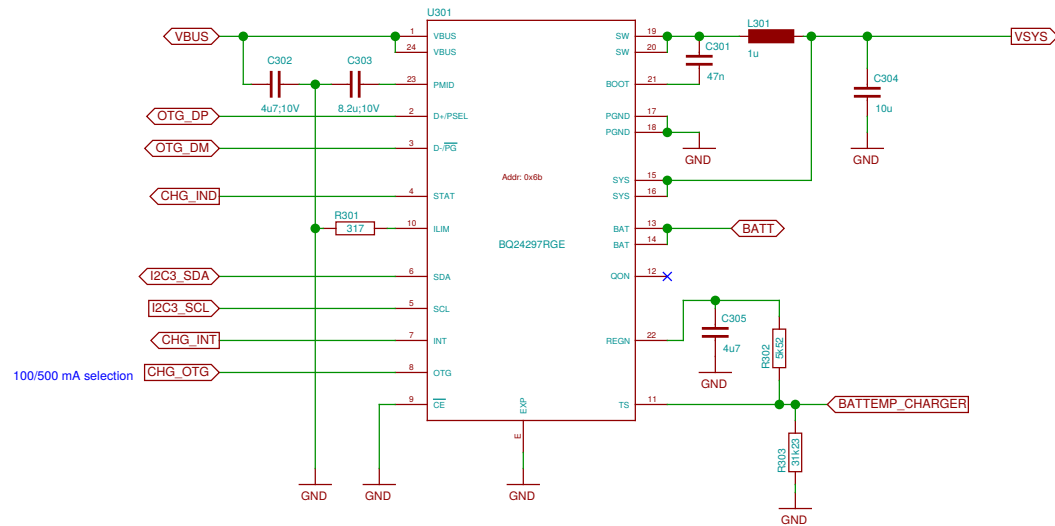
Sheet: No-Solder Components
File: neo900_SS_37.sch
No-Solder Components

Note regarding I2C addresses:
Addresses in the schematics are provided for convenience.
The authoritative source is
<https://neo900.org/git/misc/tree/i2c>

Sheet: /		
File: neo900.sch		
Title: Neo900		
Size: A3	Date: 2016-10-28 21:16:24	Rev:
Plotted by eeshow 143bc96+ 20161028-20:31Z		Id: 1/37

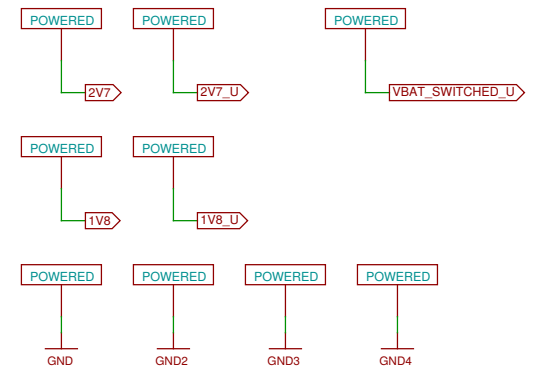


Battery charger with USB OTG



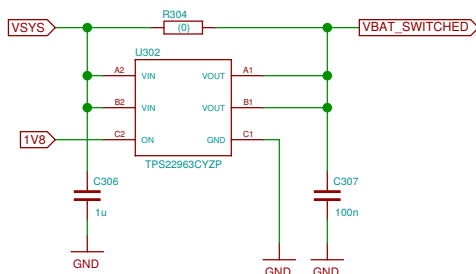
100/500 mA selection

KiCad bureaucracy



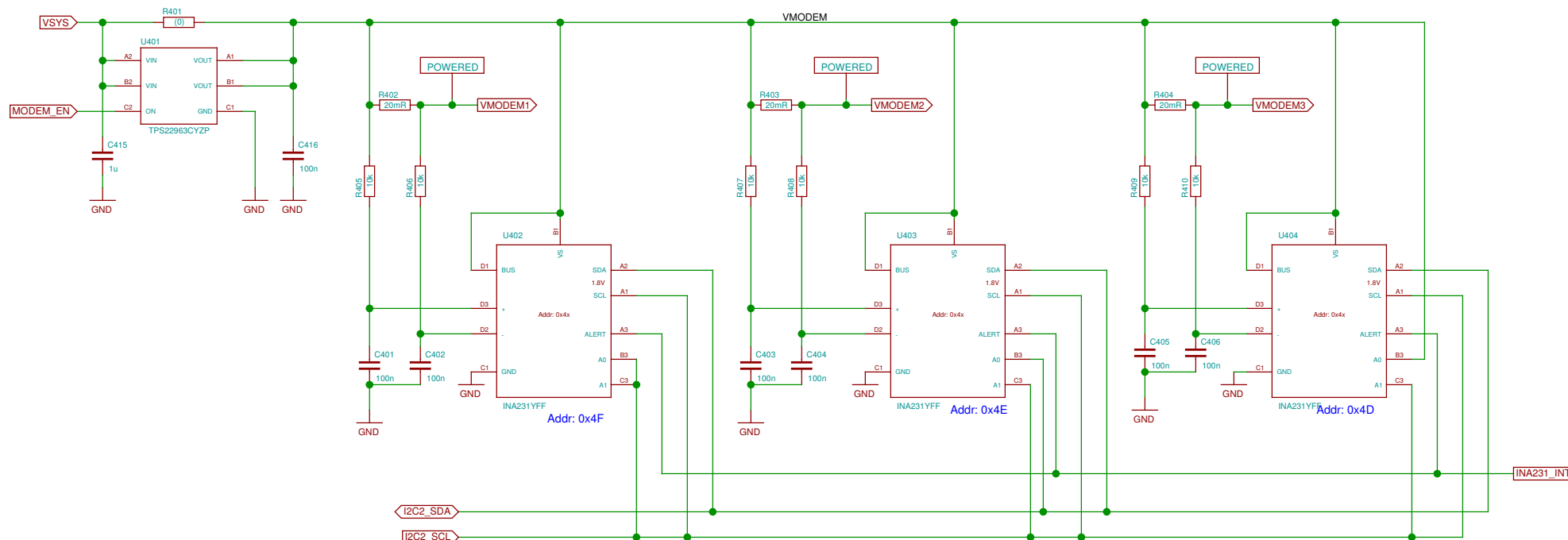
Power distribution and sequencing

Most high-current consumers are on VBAT_SWITCHED.
1V8 signals that the regulators on UPPER are operational.

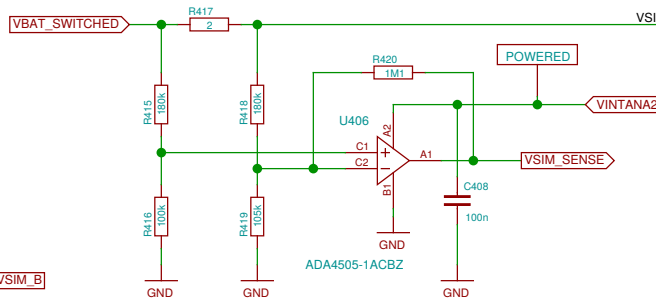


Sheet: /Charger/OTG-Booster/		
File: neo900_SS_3.sch		
Title: Charger/OTG-Booster		
Size: A3	Date: 2016-10-28 21:16:24	Rev:
Plotted by eeshow 143bc96+ 20161028-20:31Z		Id: 3/37

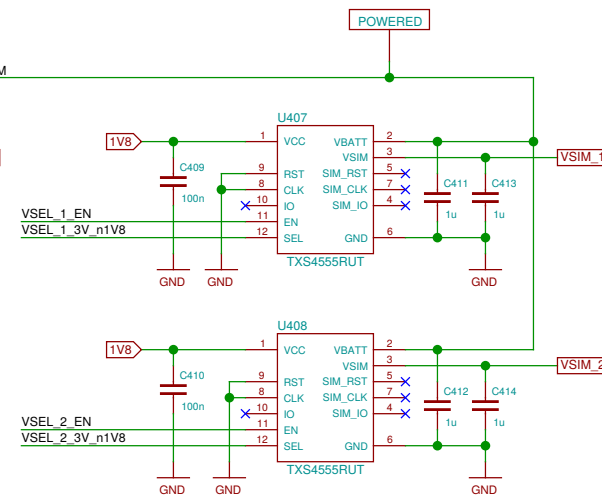
Modem current monitor



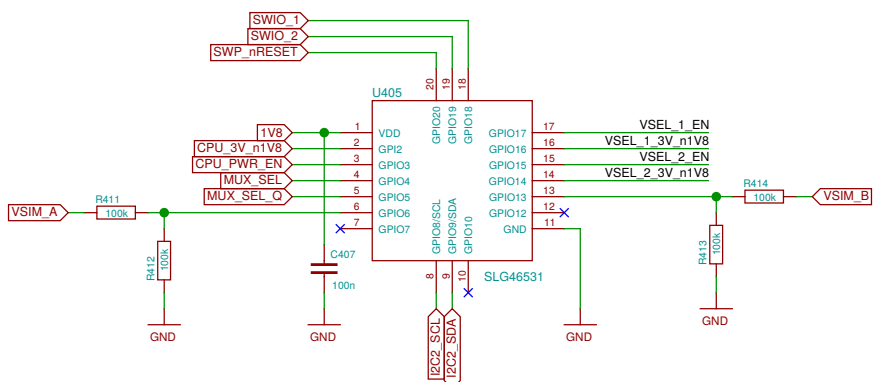
SIM current sensing



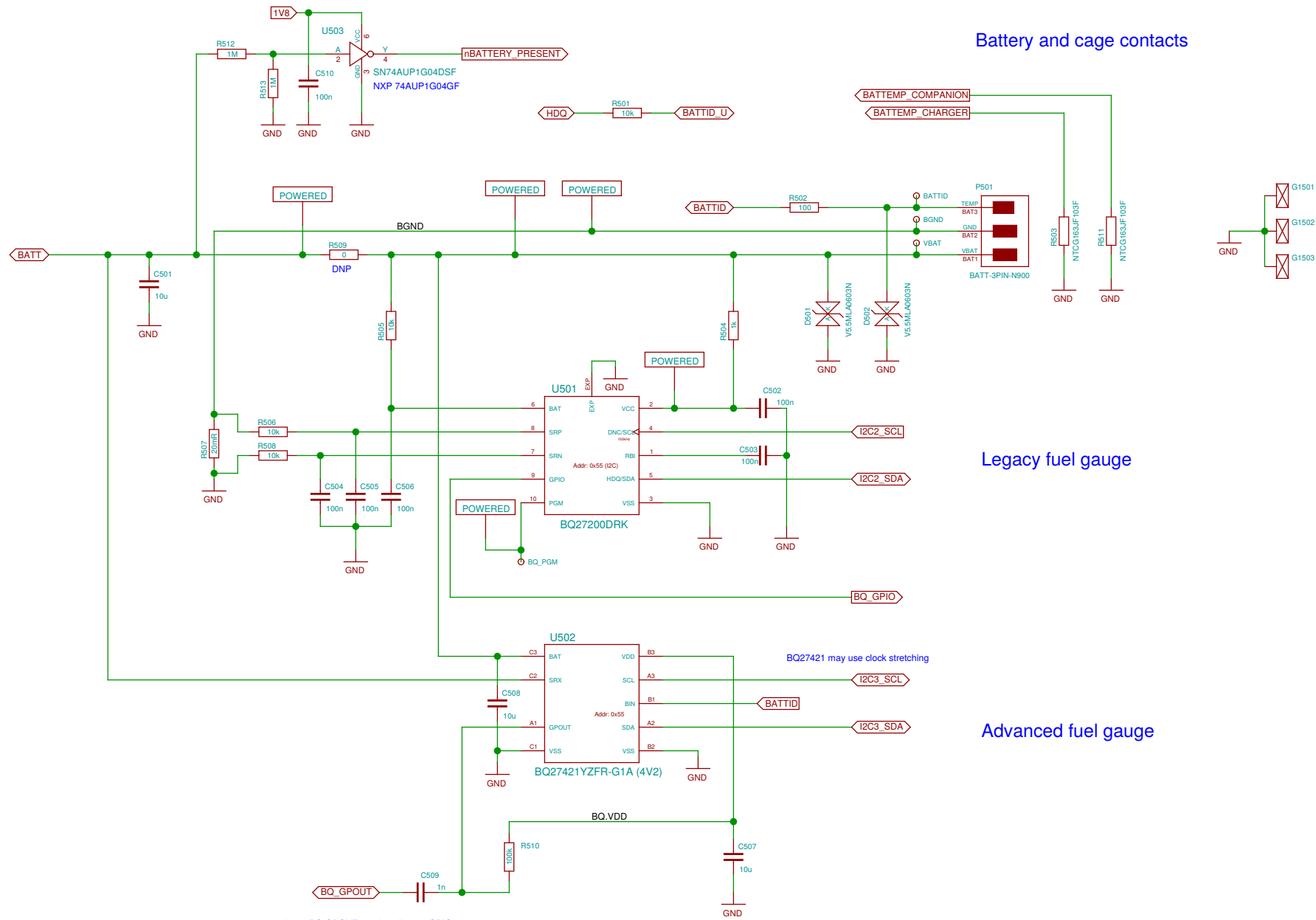
SIM power supply



SIM power selection



TODO: update SLG design for changed pins



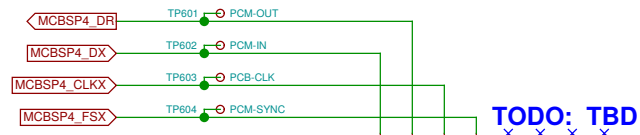
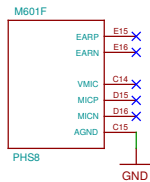
Battery and cage contacts

Legacy fuel gauge

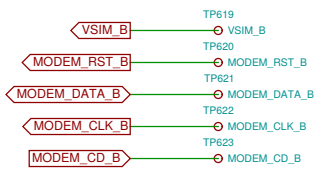
Advanced fuel gauge

Note: BQ.GPOUT needs pull-up at GPIO.

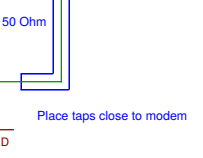
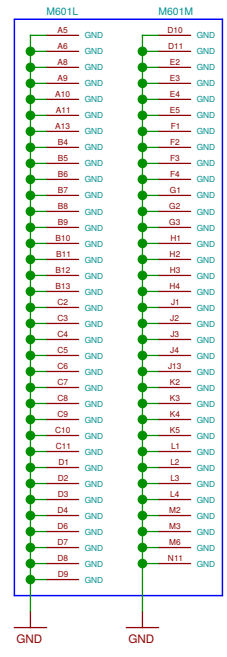
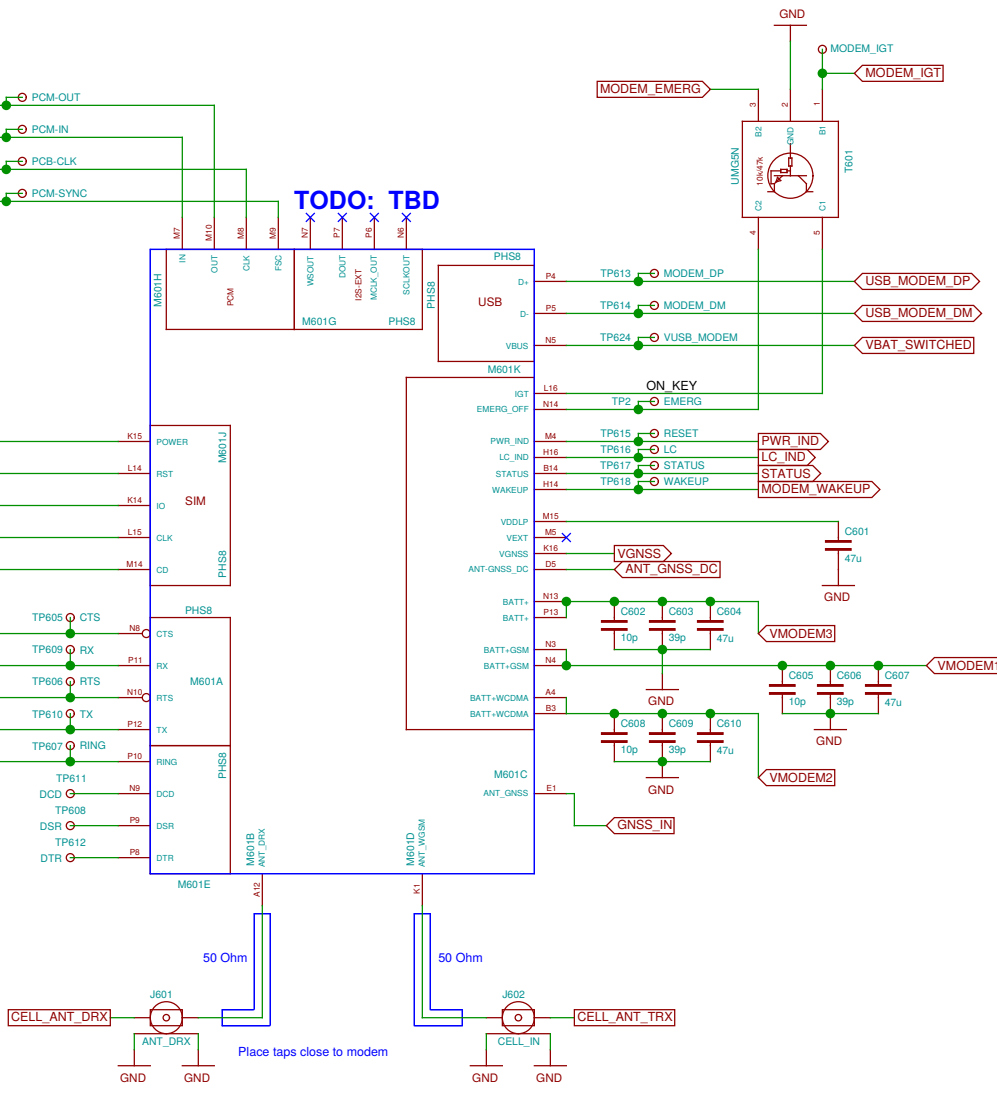
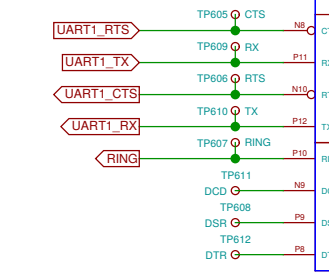
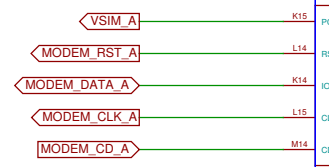
Sheet: /Fuel Gauge/		
File: neo900_SS_5.sch		
Title: Fuel Gauge		
Size: A3	Date: 2016-10-28 21:16:24	Rev:
Plotted by eeshow 143bc96+ 20161028-20:31Z		Id: 5/37



TODO: TBD



TODO: B-SIM bus FFS

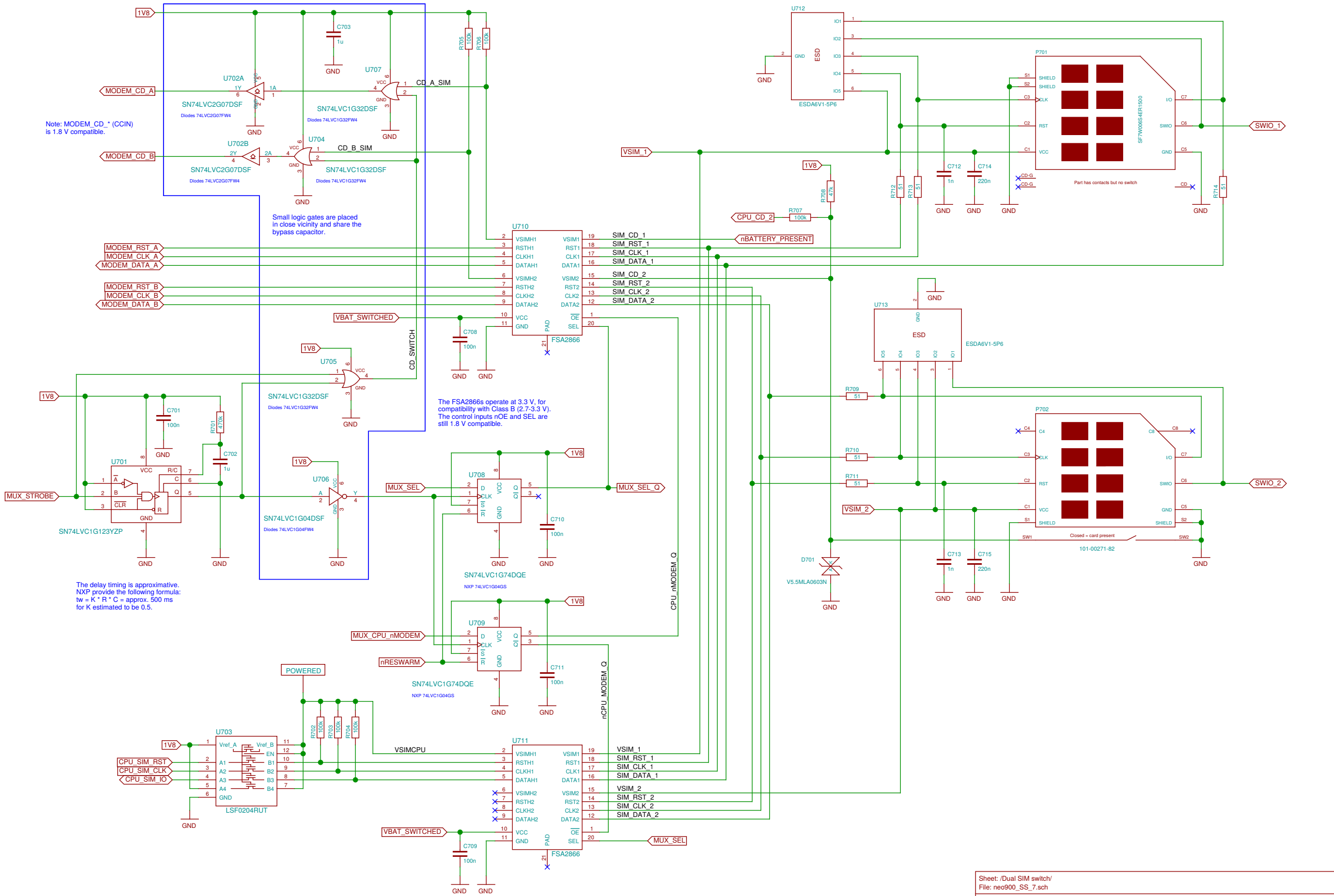


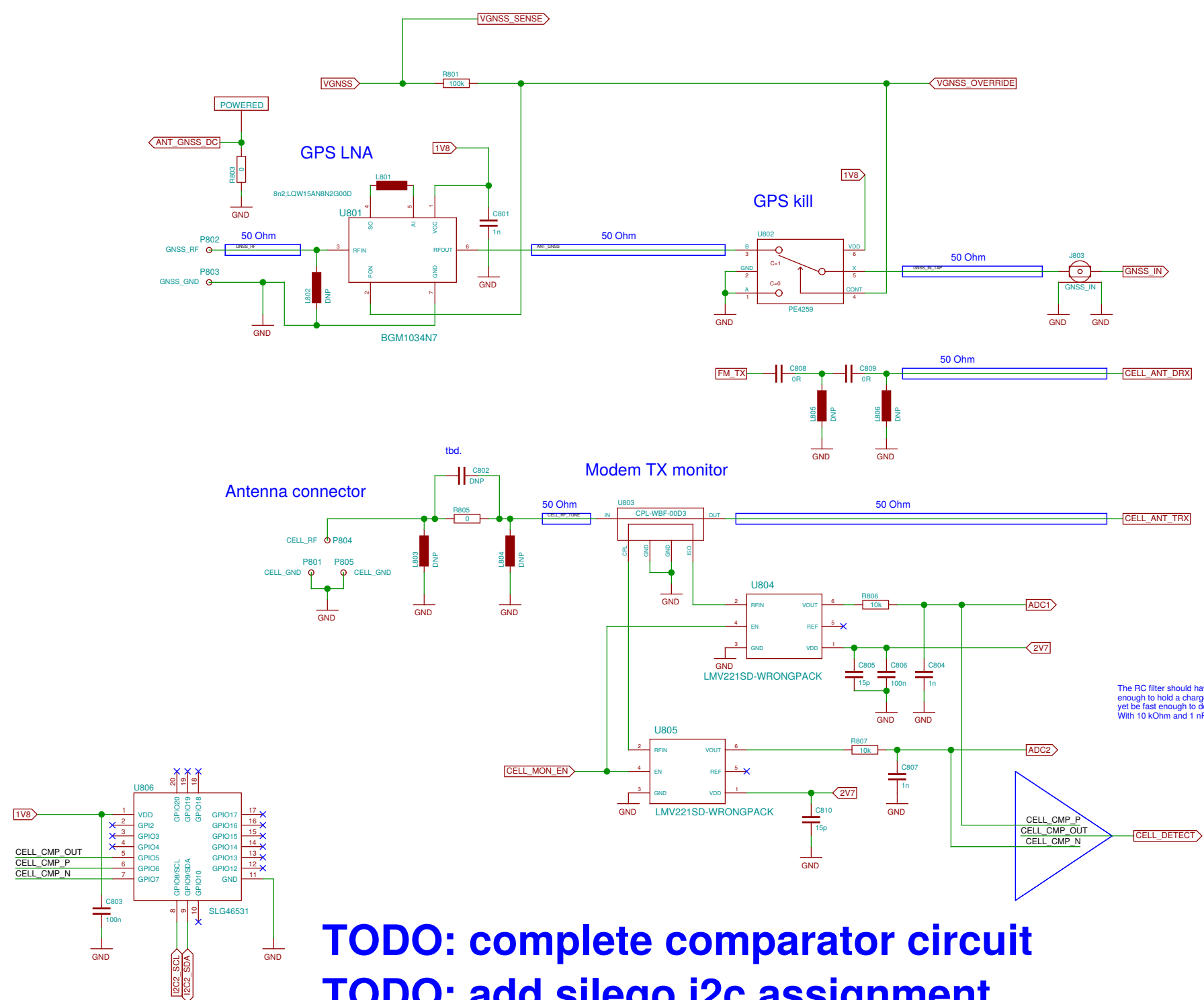
Note: MODEM_CD_* (CCIN) is 1.8 V compatible.

Small logic gates are placed in close vicinity and share the bypass capacitor.

The FSA2866s operate at 3.3 V, for compatibility with Class B (2.7-3.3 V). The control inputs nOE and SEL are still 1.8 V compatible.

The delay timing is approximative. NXP provide the following formula: $t_w = K * R * C = \text{approx. } 500 \text{ ms}$ for K estimated to be 0.5.

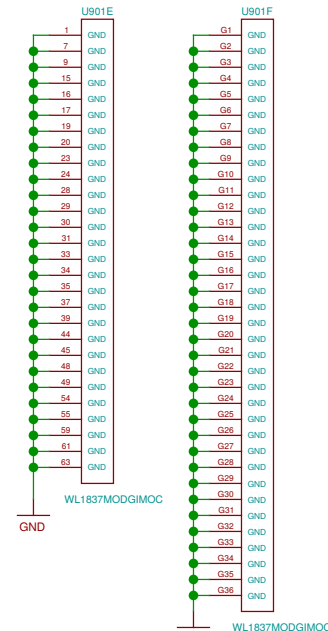
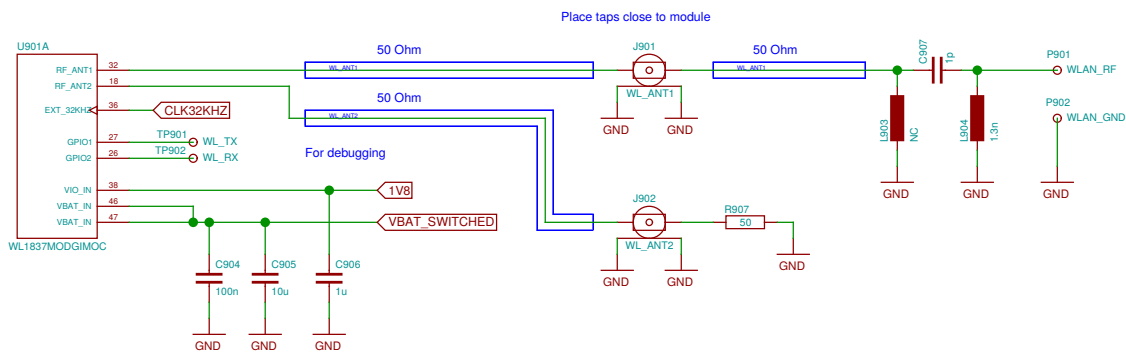




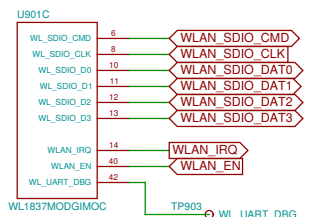
TODO: complete comparator circuit
TODO: add silego i2c assignment

TODO: assign footprints for c-spring contacts

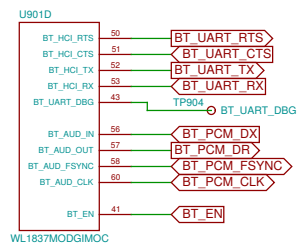
WLAN/BT antenna



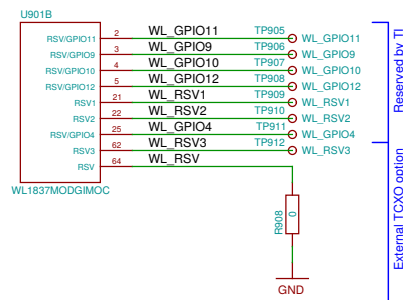
WLAN



Bluetooth

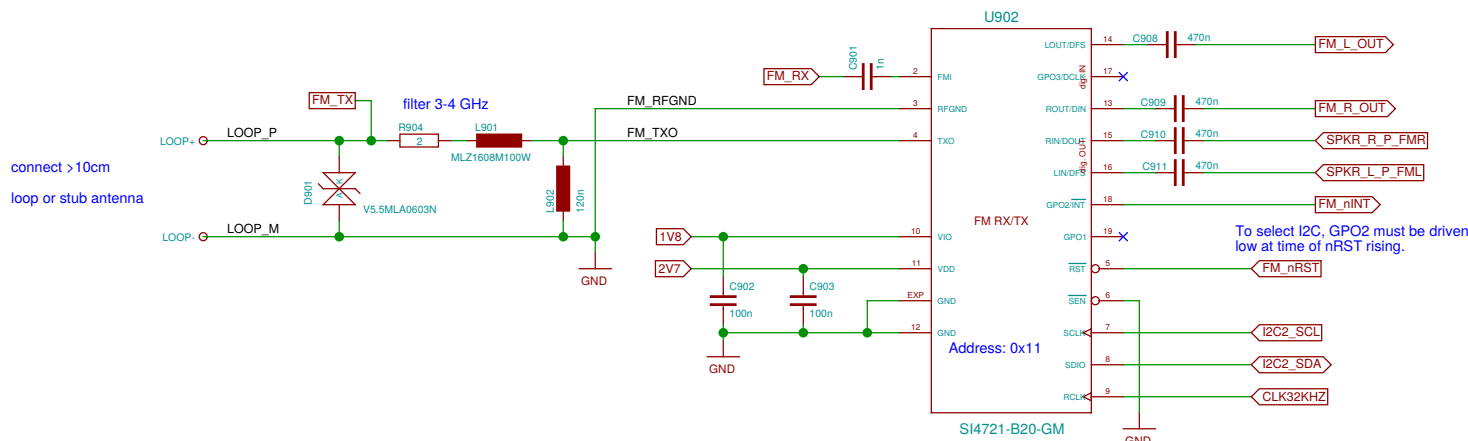


Reserved / Debugging



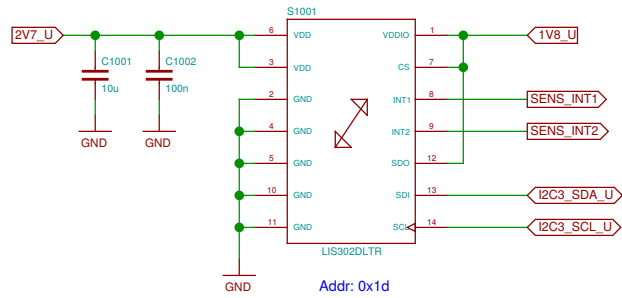
FM Radio (TX/RX)

TODO: check caps

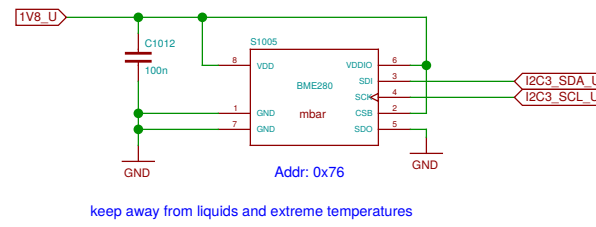


Si4705 is pin compatible (mostly) but RX-only

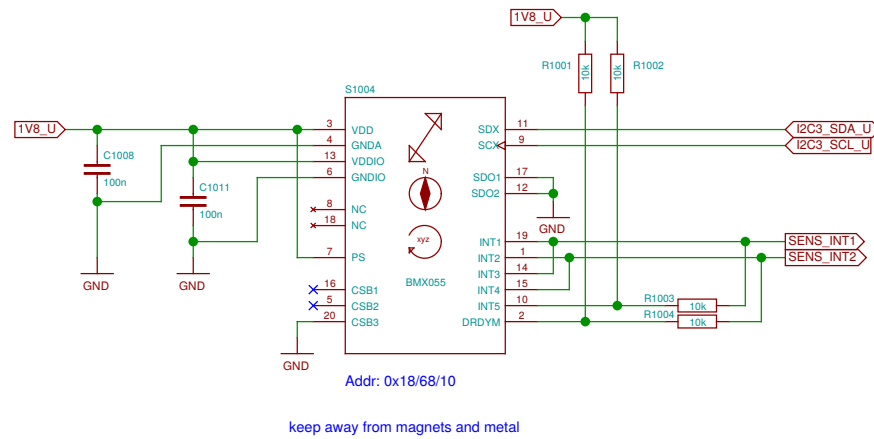
Acceleration (legacy)



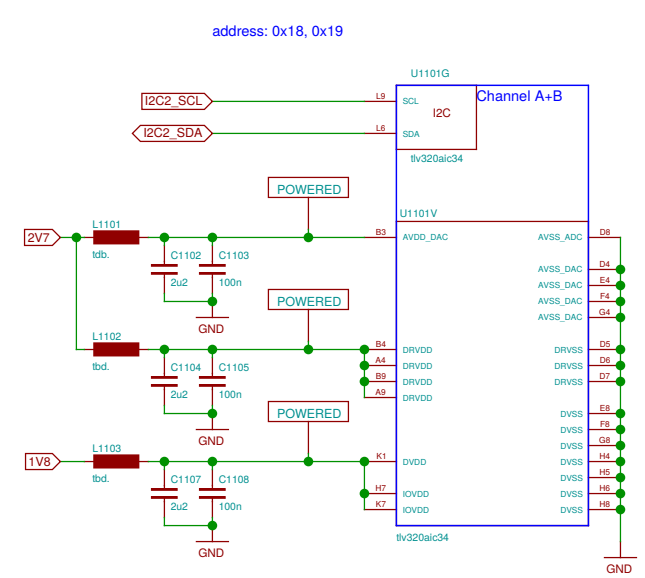
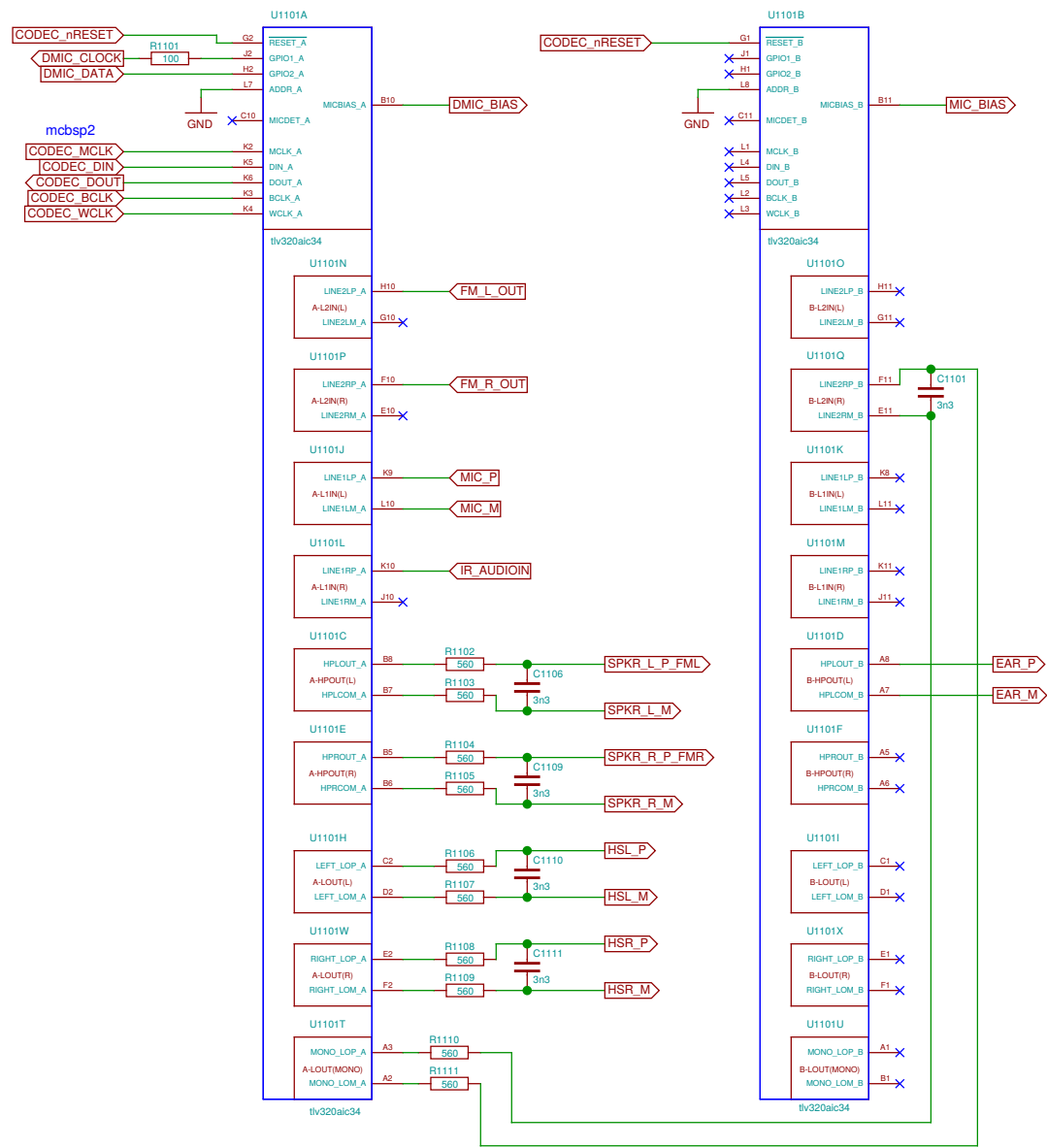
Pressure, humidity

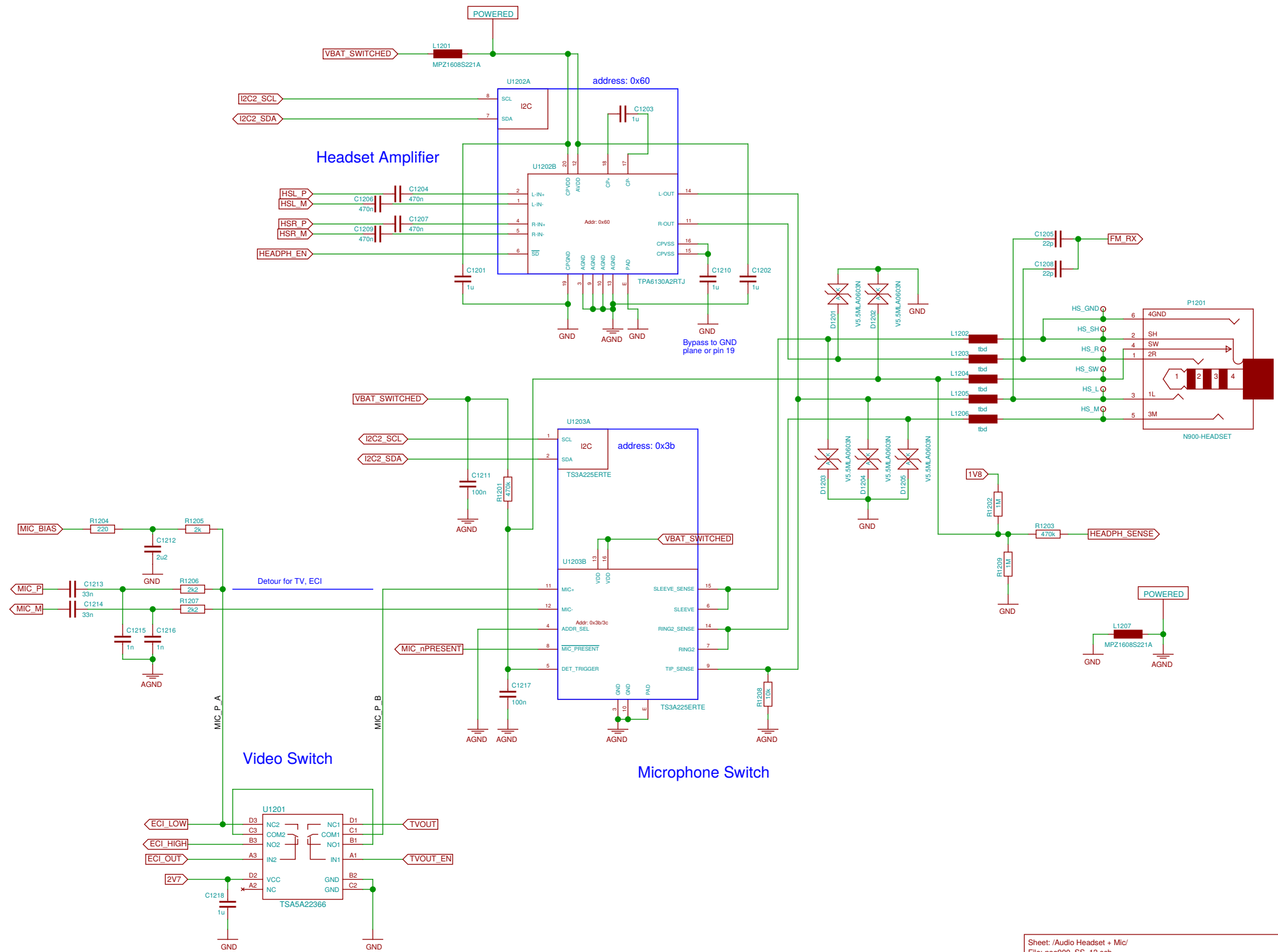


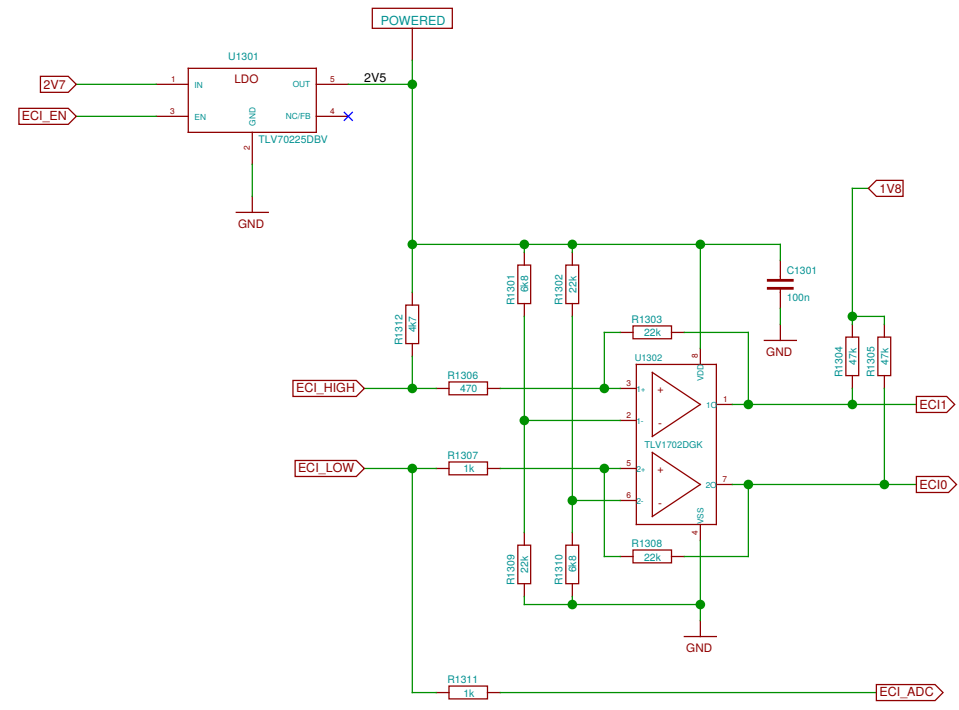
9-axis (acceleration, gyroscope, magnetometer)



Sheet: /Sensors/ File: neo900_SS_10.sch		Title: Sensors	
Size: A3	Date: 2016-10-28 21:16:24	Rev:	
Plotted by eeshow 143bc96+ 20161028-20:31Z		Id: 10/37	

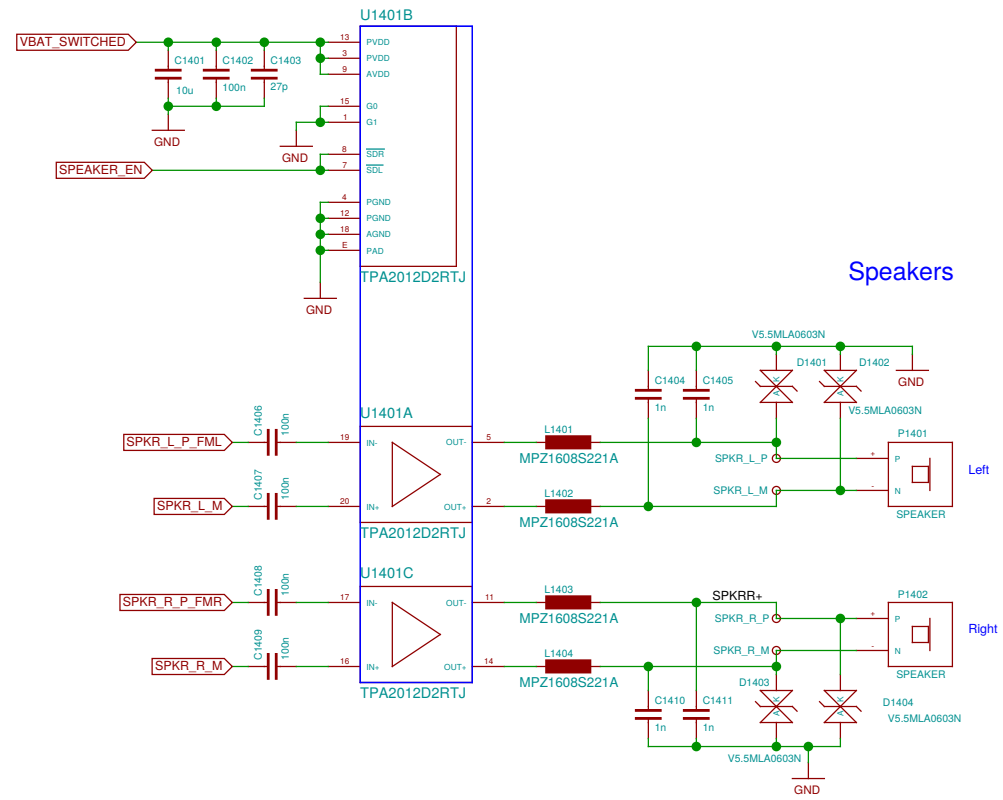






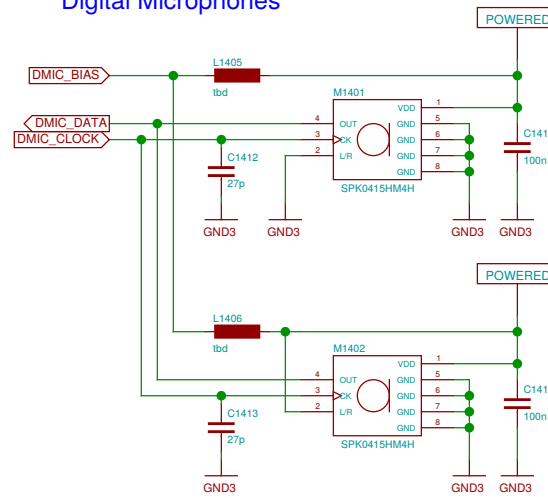
Sheet: /ECI/		File: neo900_SS_13.sch	
Title: ECI			
Size: A3	Date: 2016-10-28 21:16:24	Rev:	
Plotted by eeshow 143bc96+ 20161028-20:31Z		Id: 13/37	

Hands-free



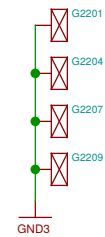
Speakers

Digital Microphones

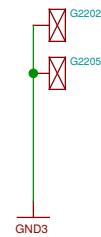


Shield Contacts on UPPER

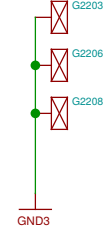
For the display



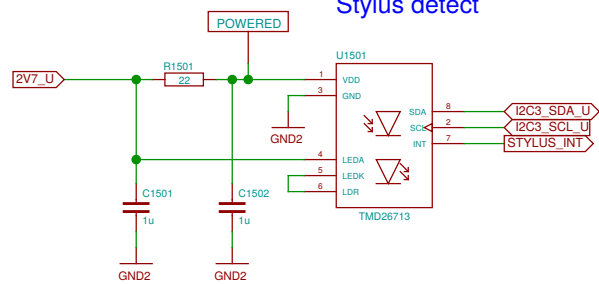
For the key mat



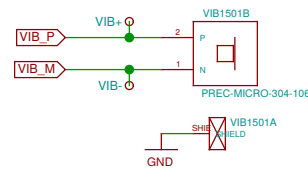
For the "key frame hook"



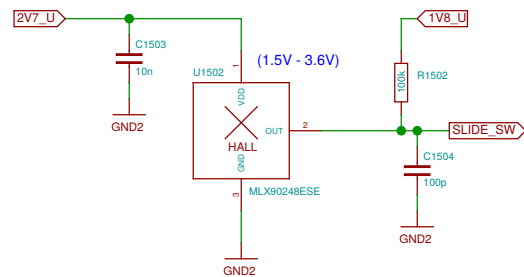
Stylus detect



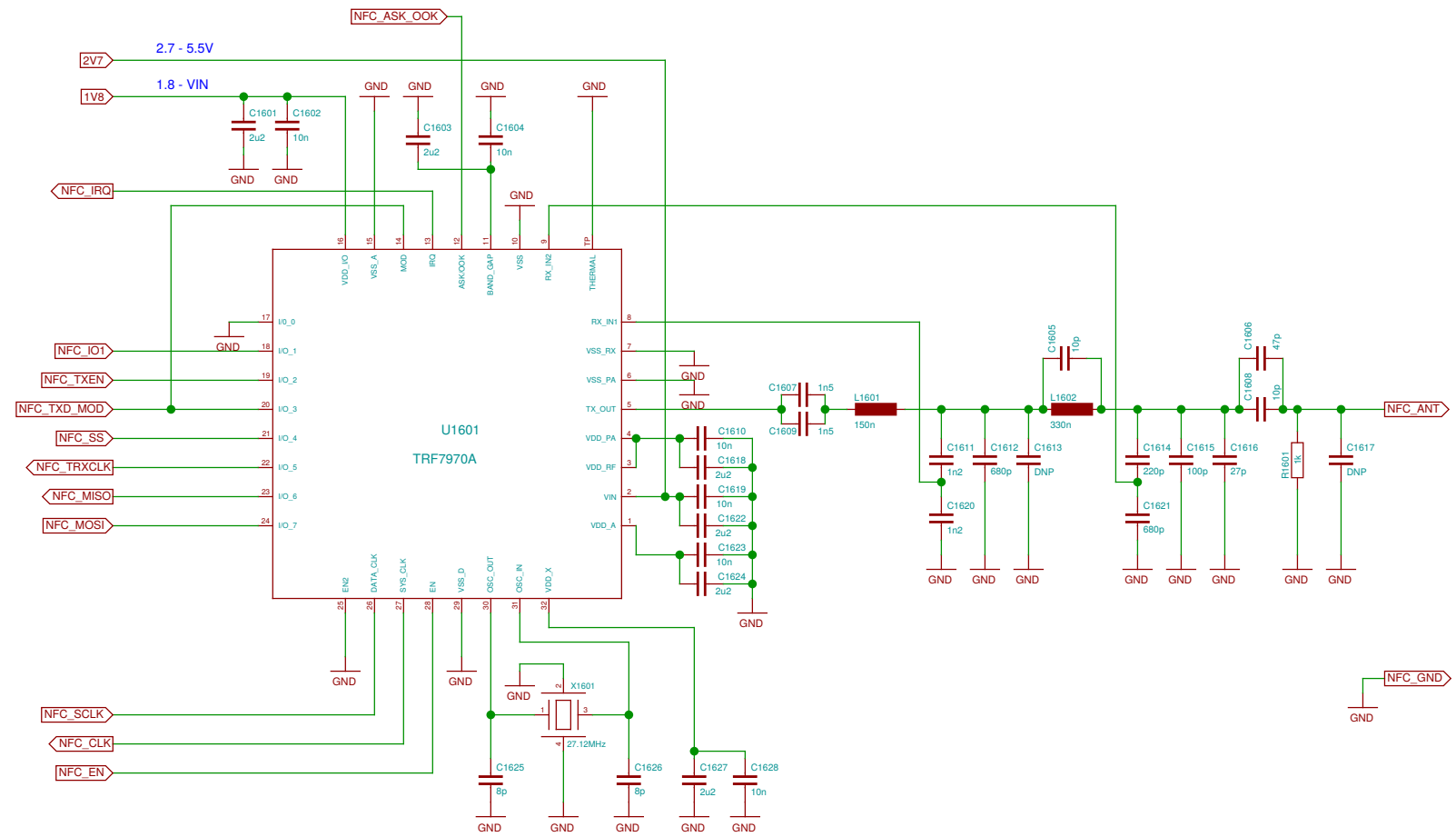
Vibramotor



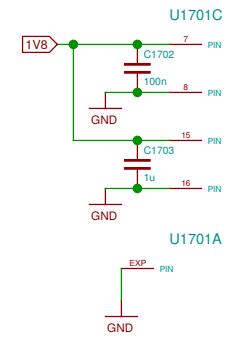
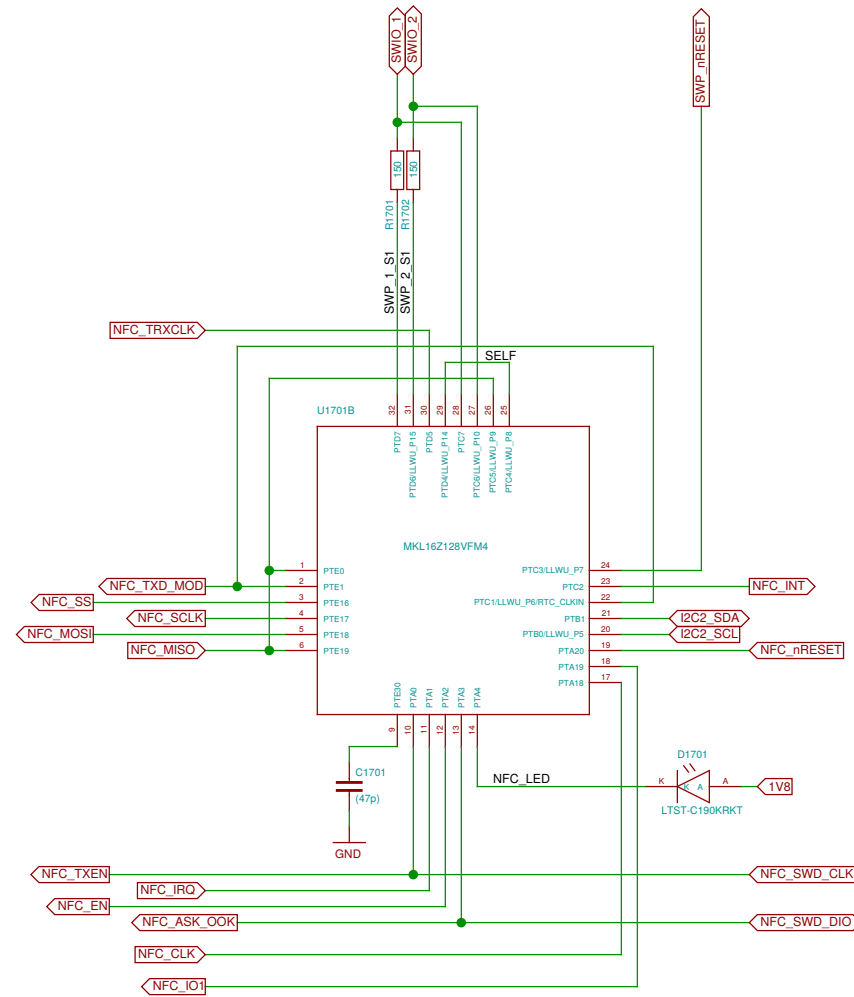
Slide sensor



Sheet: /Misc/		
File: neo900_SS_15.sch		
Title: Misc		
Size: A3	Date: 2016-10-28 21:16:24	Rev:
Plotted by eeshow 143bc96+ 20161028-20:31Z		Id: 15/37

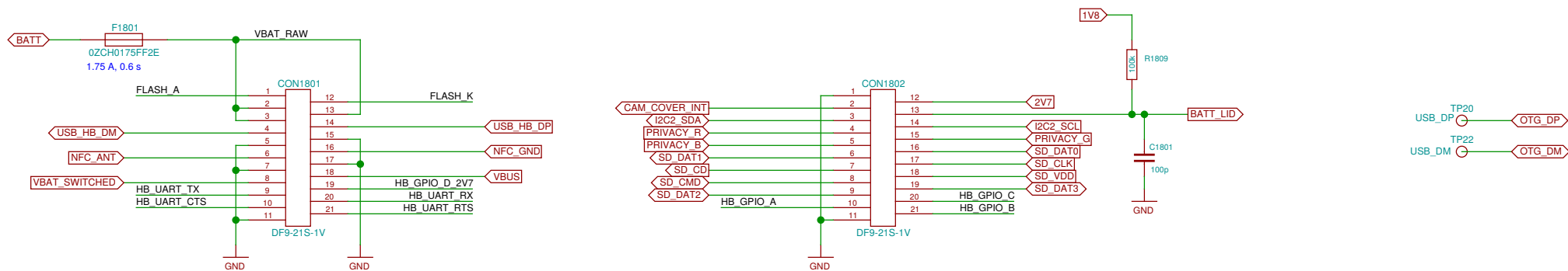


Some choices, 3.2 x 2.6 mm, 8-10 pF:
 NDK NX3225GA-27.12M-STD-CRG-2
 NDK NX3225SA-27.12M-STD-CSR-3
 Tattien XXCCEINANF-27.120000

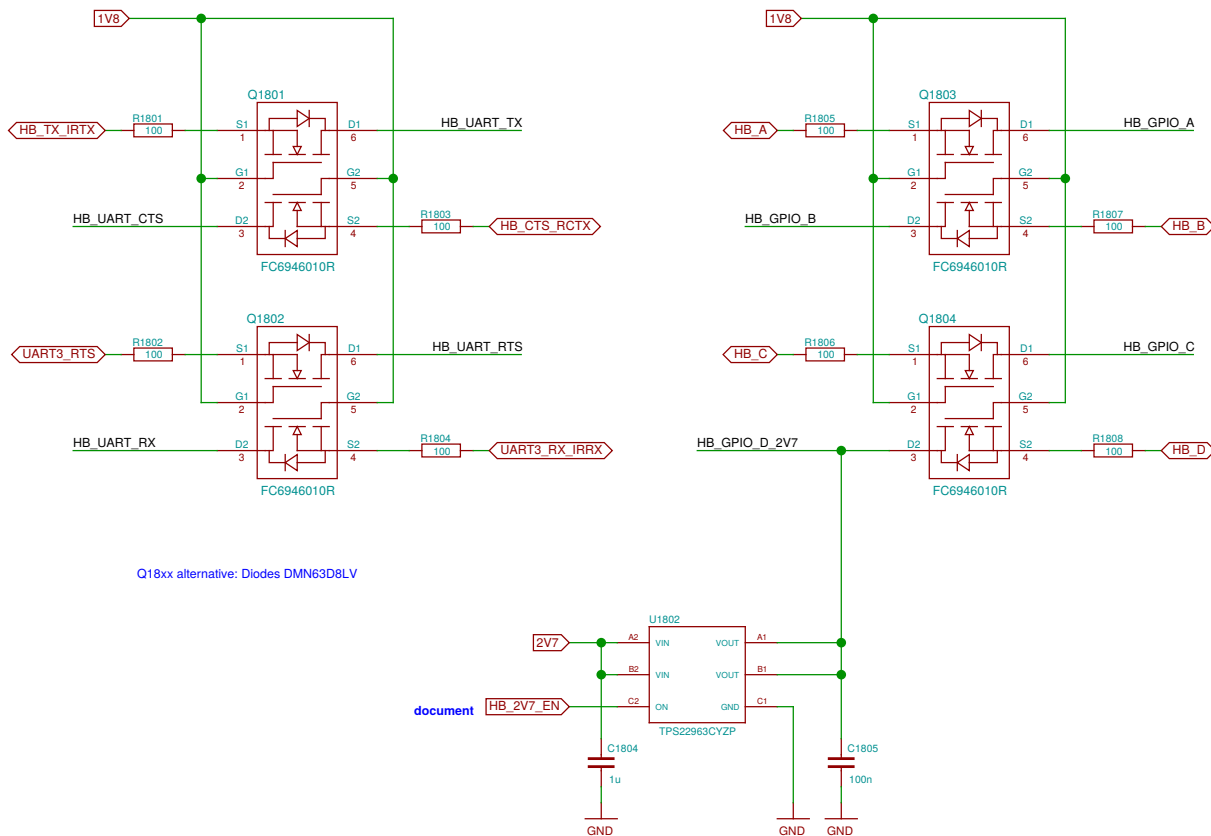


LOWER-BOB Interconnect (LOWER side)

Defined in the Hackerbus specification, <http://neo900.org/stuff/papers/hb.pdf>

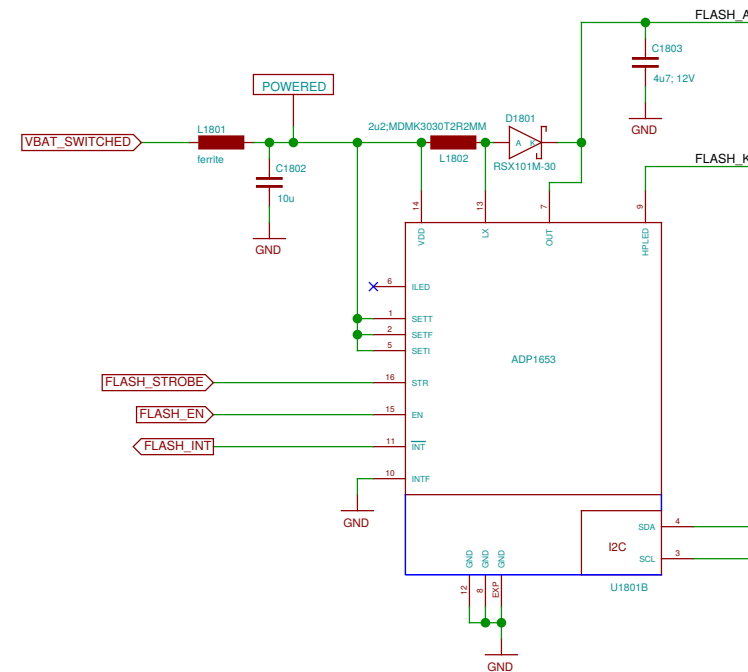


Level shifters for Hackerbus GPIO and UART



Q18xx alternative: Diodes DMN63D8LV

Flash/Torch



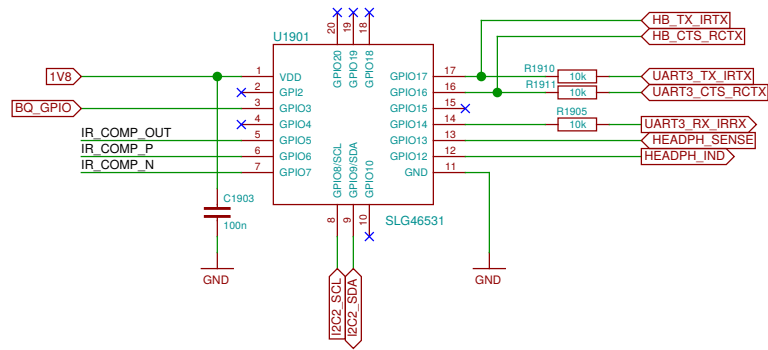
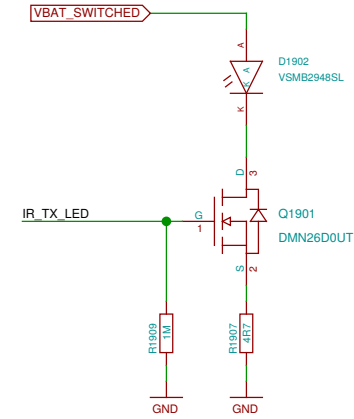
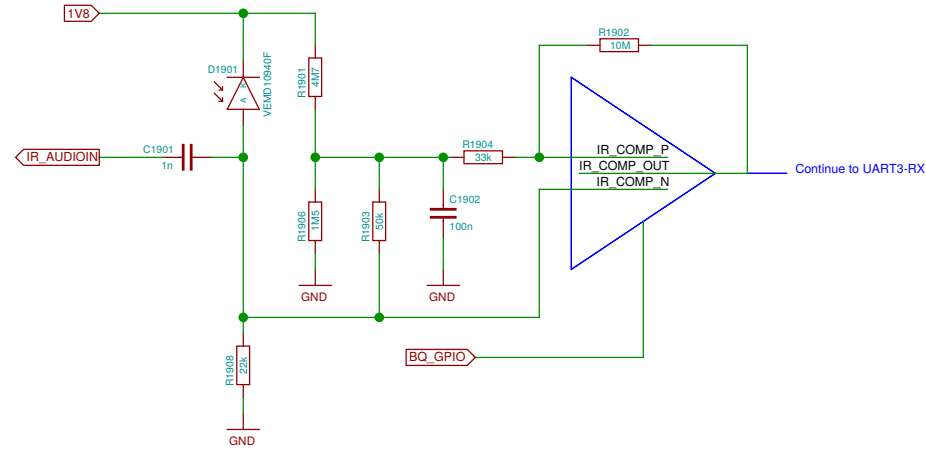
TODO: HB USB PHY may go here

Missing 6x 2R for alternate function select (do we have the space for ca. 2.5 x 5mm?)

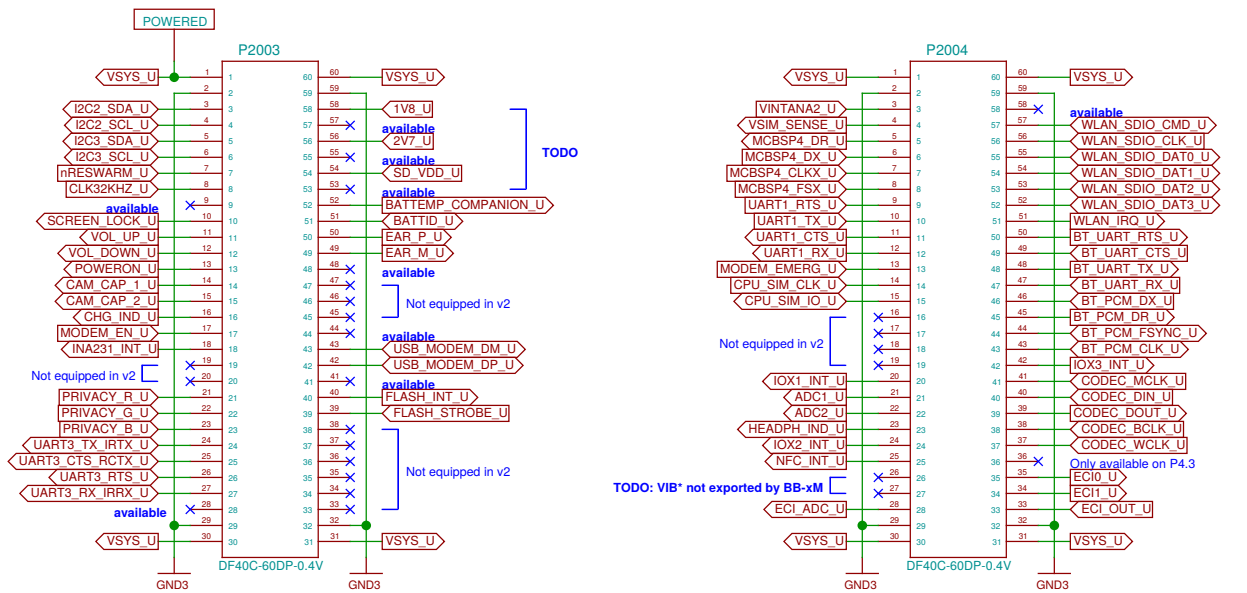
Sheet: /Hackerbus/		File: neo900_SS_18.sch	
Title: Hackerbus			
Size: A3	Date: 2016-10-28 21:16:24	Rev:	
Plotted by: eeshow 143bc96 - 20161028-20:31Z		Id: 18/37	

TODO: update D1901 footprint

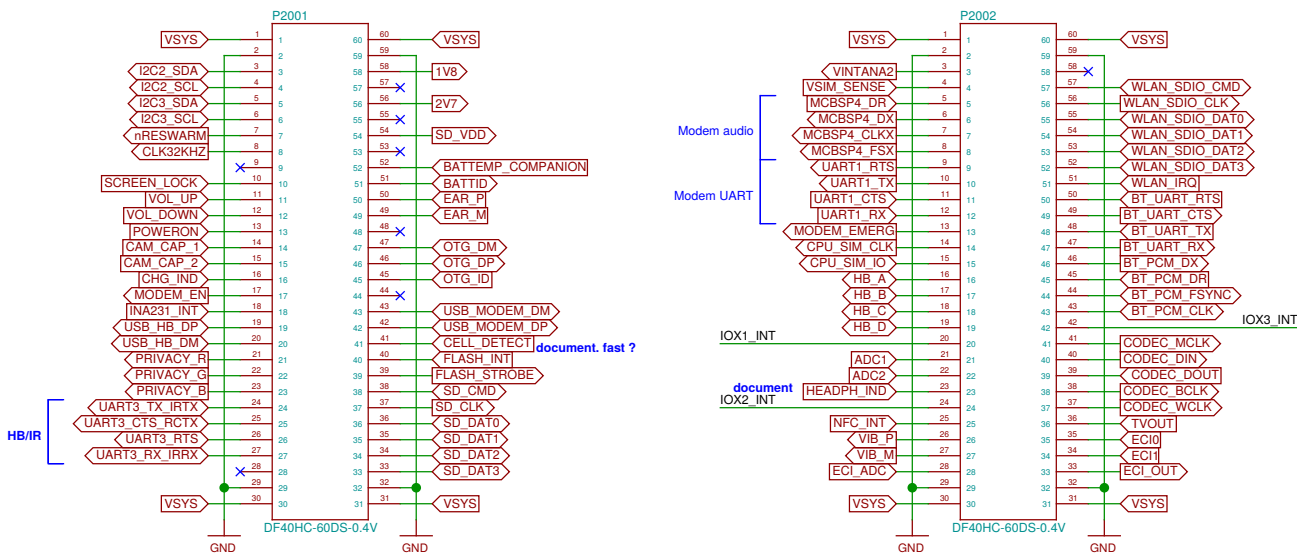
NOTE: 1V8 may be quite noisy



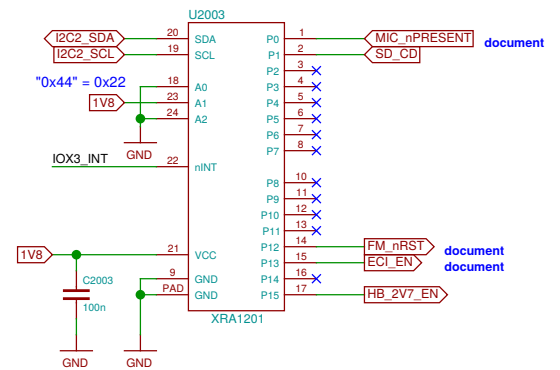
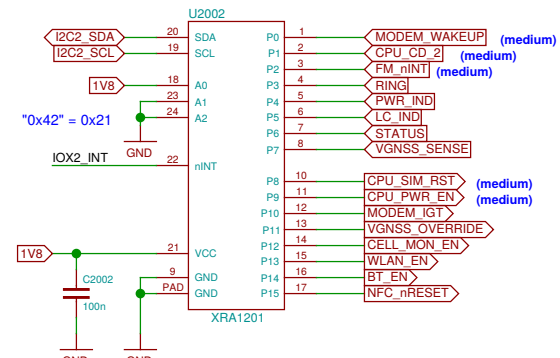
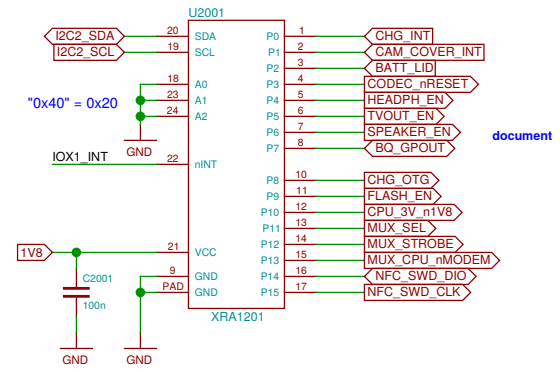
This is just the collection of signals we have. Proper assignment still pending.



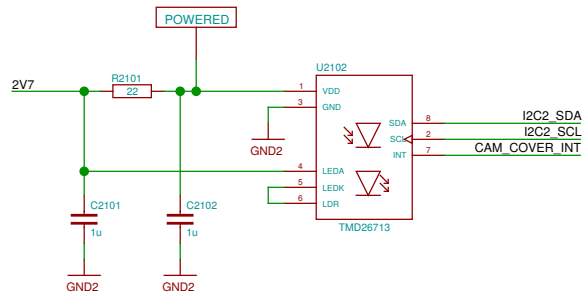
UPPER
LOWER



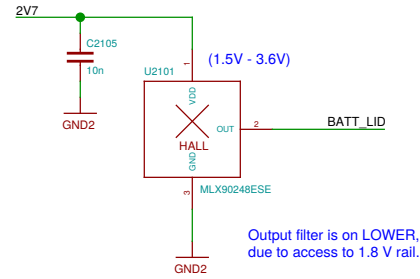
Current rating per contact: 0.3 A



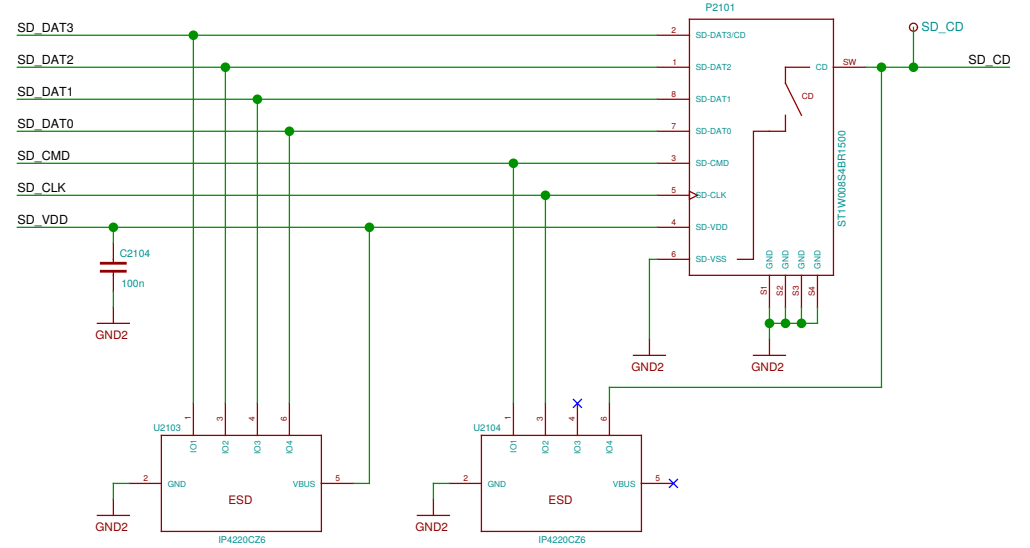
Camera Cover detect



Battery Cover detect

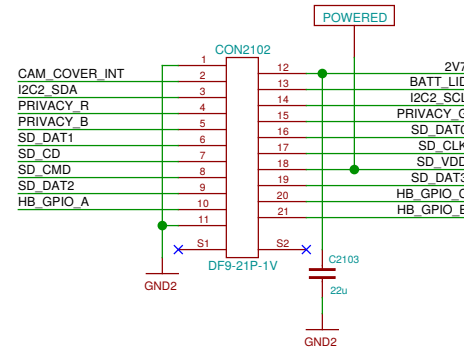
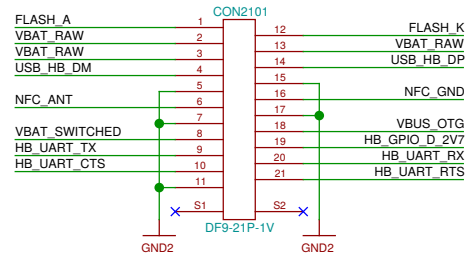


Memory card holder

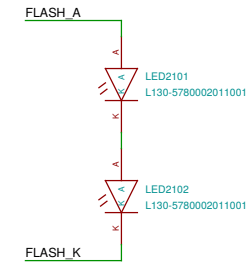


LOWER-BOB Interconnect (BOB side)

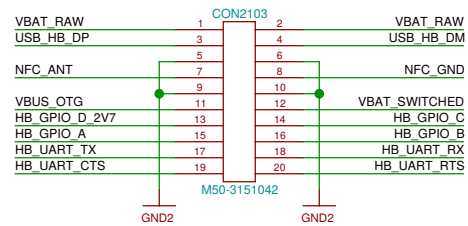
Defined in the Hackerbus specification, <http://neo900.org/stuff/papers/hb.pdf>



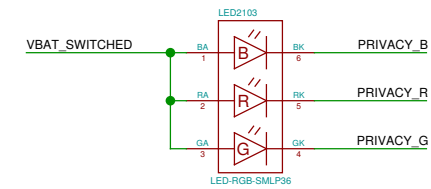
Camera flash



Hackerbus

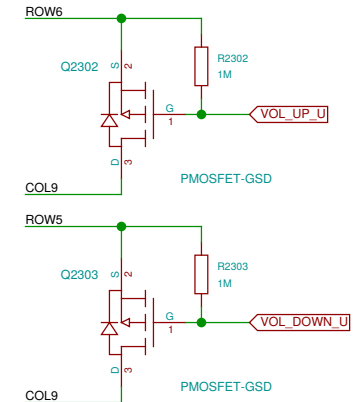
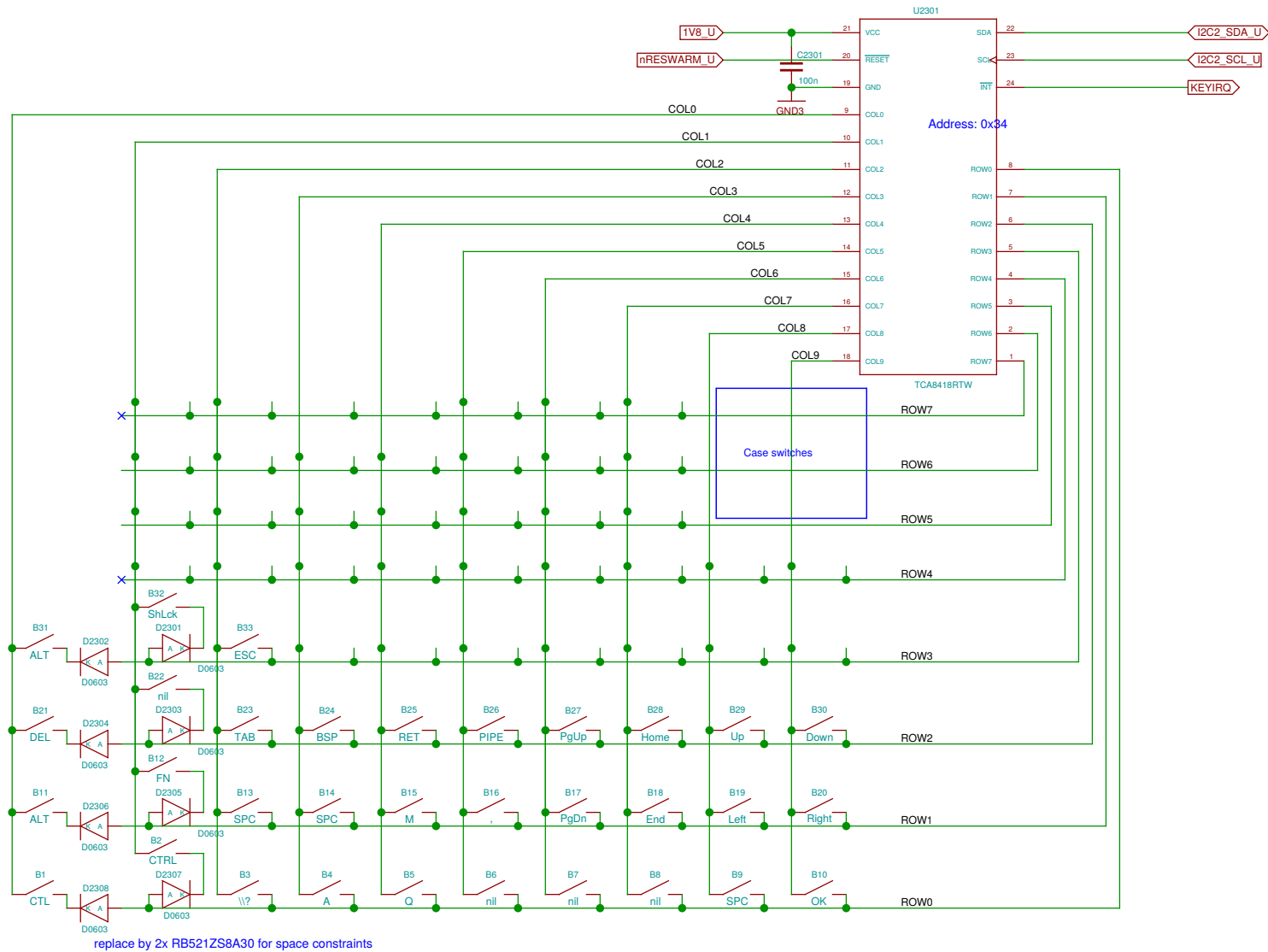


Privacy LED



TODO: consider sheet for deletion

Sheet: /empty/ File: neo900_SS_22.sch		
Title: empty		
Size: A3	Date: 2016-10-28 21:16:24	Rev:
Plotted by eeshow 143bc96+ 20161028-20:31Z		Id: 22/37

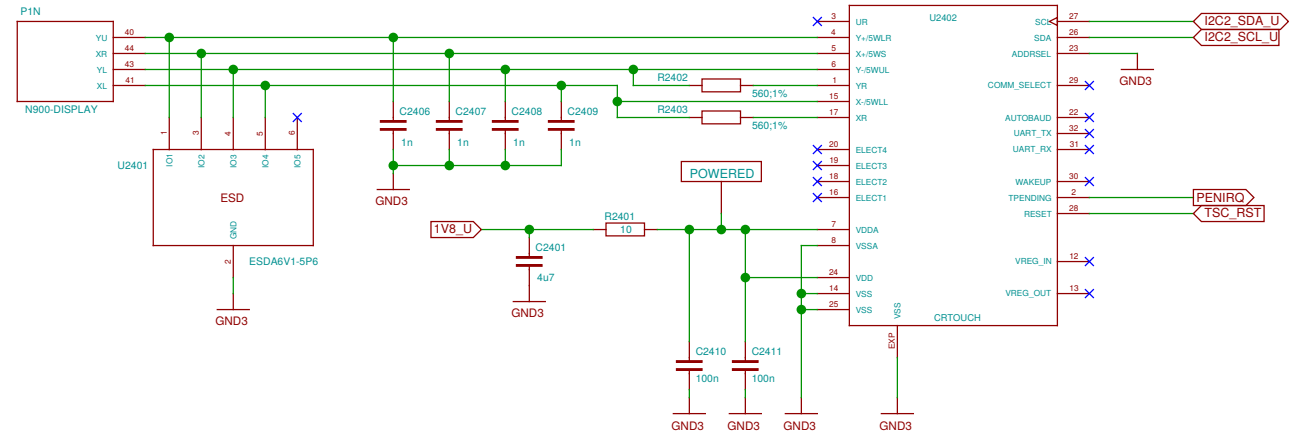


TODO: key names are nonsense

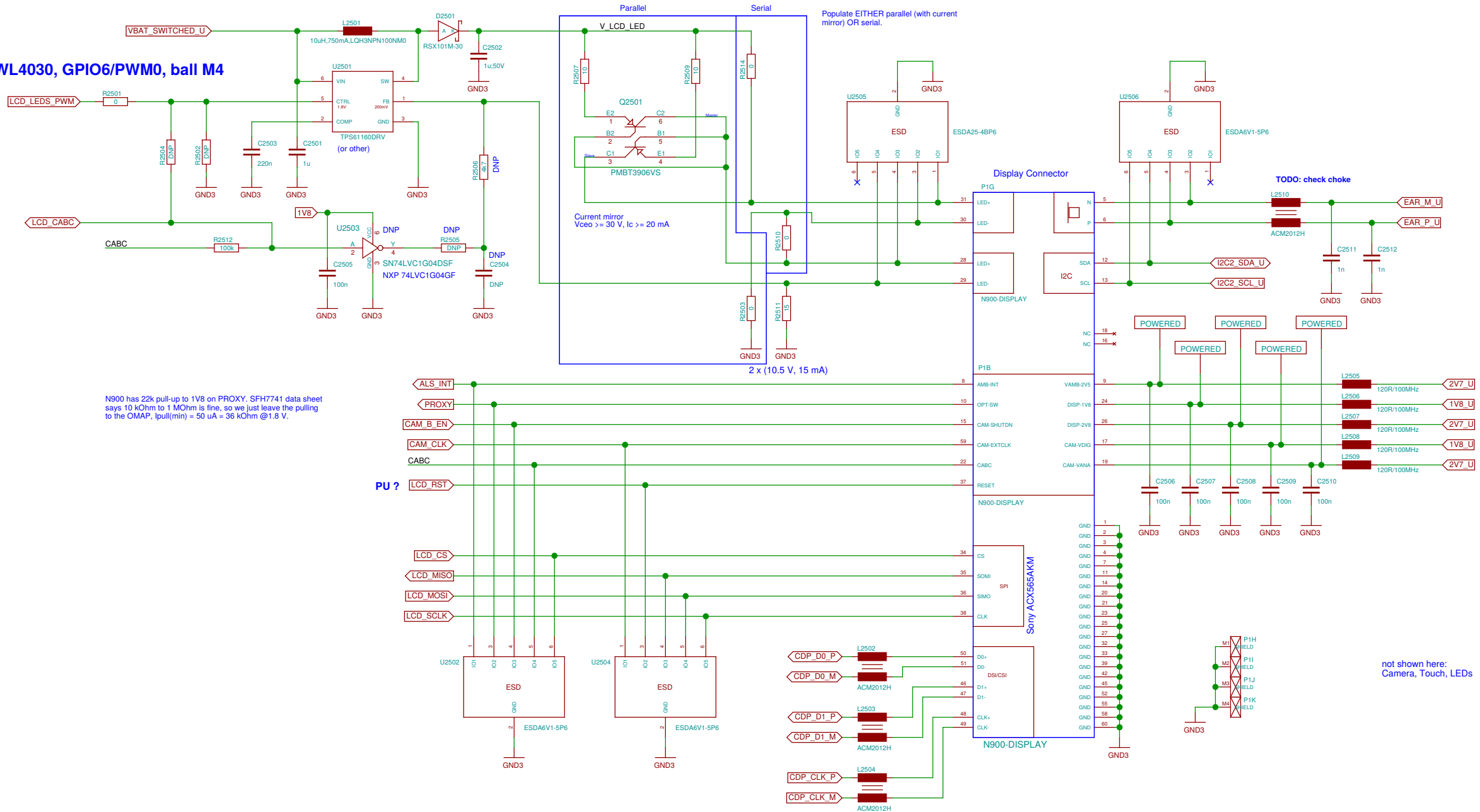
TODO: rearrange matrix to avoid diodes ?

Resistive Touch (display connector)

Touch screen controller



TWL4030, GPIO6/PWM0, ball M4



N900 has 22k pull-up to 1V8 on PROXY. SFH7741 data sheet says 10 kOhm to 1 MOhm is fine, so we just leave the pulling to the OMAP, Ipull(min) = 50 uA = 36 kOhm @1.8 V.

PU ?

Current mirror
V_{ceo} >= 30 V, I_c >= 20 mA

2 x (10.5 V, 15 mA)

Populate EITHER parallel (with current mirror) OR serial.

TODO: check choke

not shown here:
Camera, Touch, LEDs

OMAP is not part of v2

Sheet: /CPU + PoP RAM/NAND/ File: neo900_SS_26.sch		
Title: CPU + PoP RAM/NAND		
Size: A3	Date: 2016-10-28 21:16:24	Rev:
Plotted by eeshow 143bc96+ 20161028-20:31Z		Id: 26/37

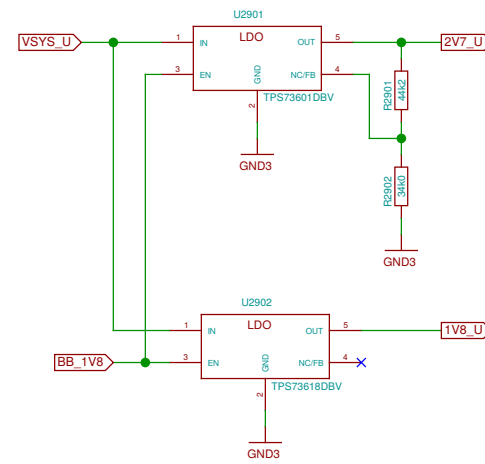
eMMC is not part of v2

Sheet: /eMMC/ File: neo900_SS_27.sch		
Title: eMMC		
Size: A3	Date: 2016-10-28 21:16:24	Rev:
Plotted by eeshow 143bc96+ 20161028-20:31Z		Id: 27/37

Companion chip (TPS65950) is not part of v2

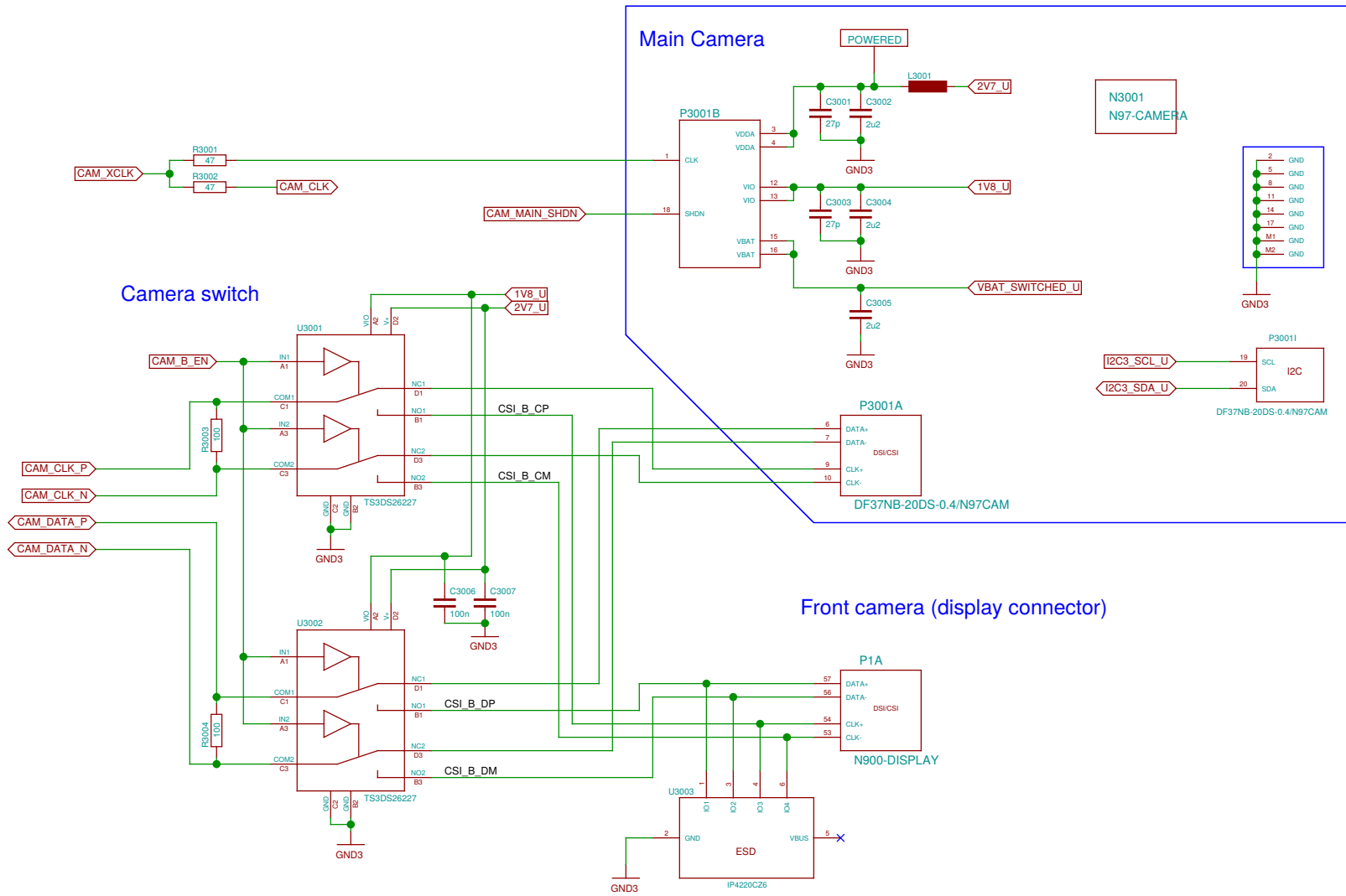
Sheet: /PMU+Codec/ File: neo900_SS_28.sch		
Title: PMU+Codec		
Size: A3	Date: 2016-10-28 21:16:24	Rev:
Plotted by eeshow 143bc96+ 20161028-20:31Z		Id: 28/37

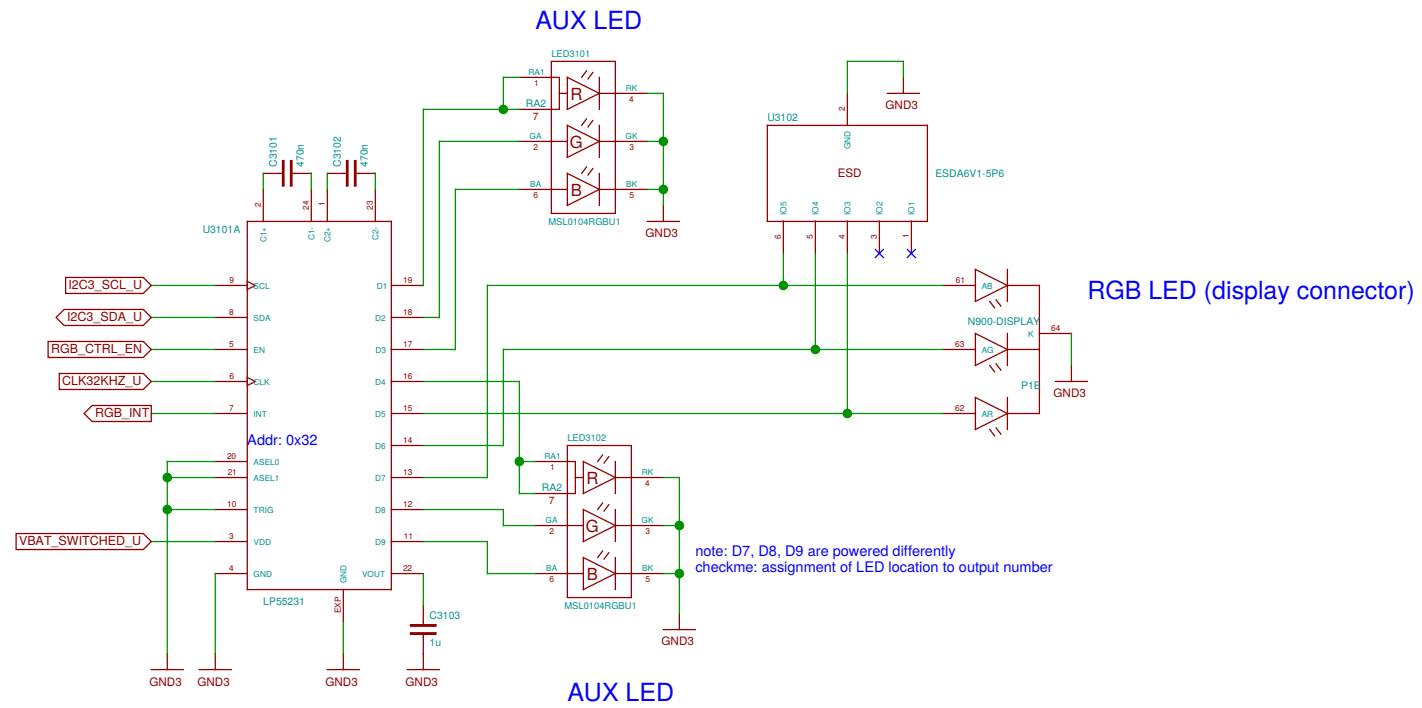
simple capless 400mA LDO for TPS65950 substitute
(only for prototype)



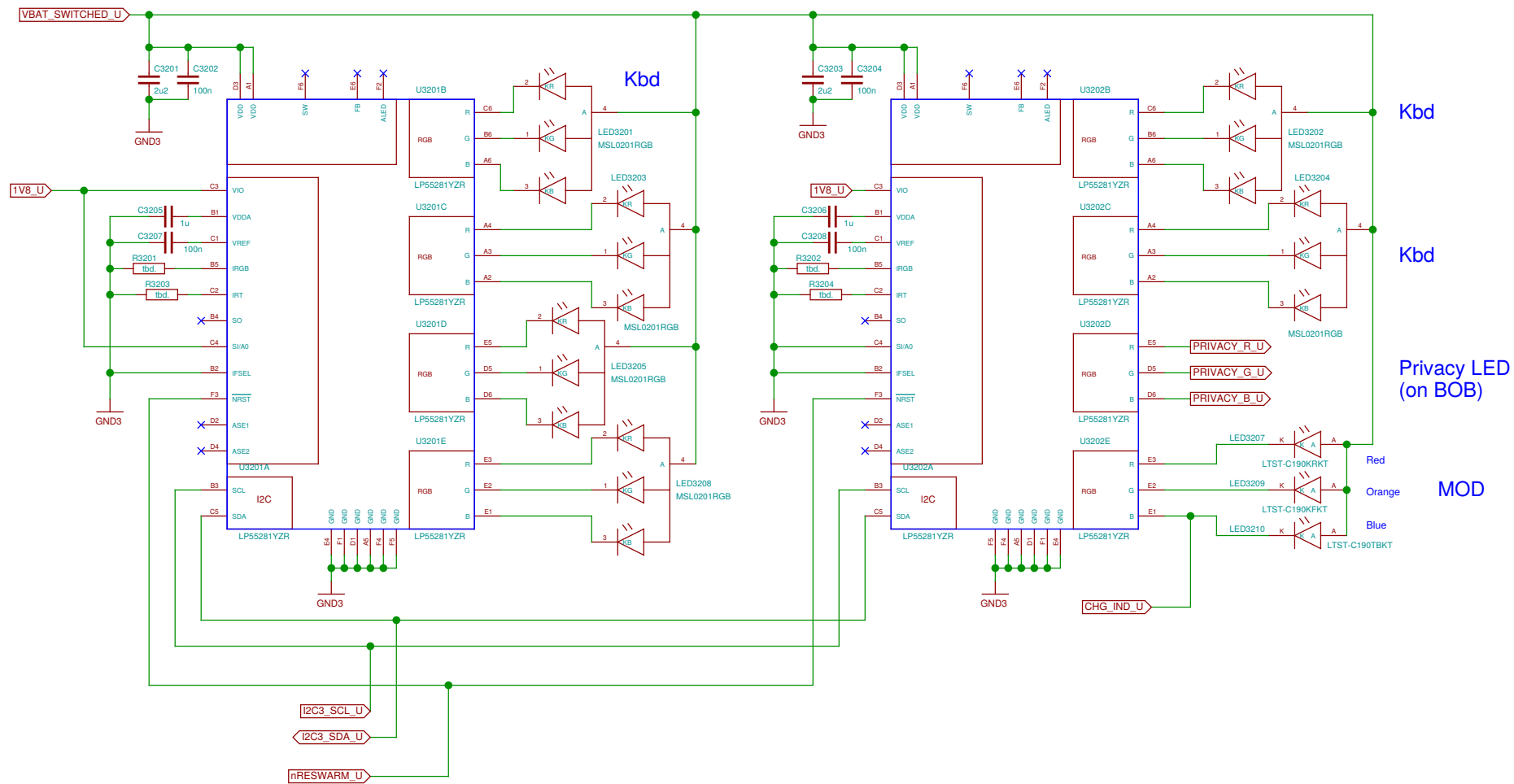
TODO: use REGEN ?

Sheet: /BB-XM Dummy (TWL4030)/		
File: neo900_SS_29.sch		
Title: BB-XM Dummy (TWL4030)		
Size: A3	Date: 2016-10-28 21:16:24	Rev:
Plotted by eeshow 143bc96+ 20161028-20:31Z		Id: 29/37





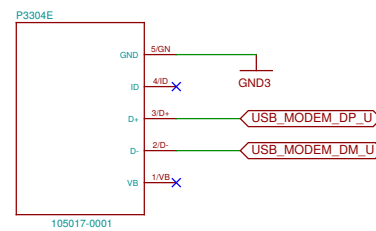
Sheet: /Fancy LEDs/		Date: 2016-10-28 21:16:24	
File: neo900_SS_31.sch		Rev:	
Title: Fancy LEDs			
Size: A3	Date: 2016-10-28 21:16:24		Rev:
Plotted by eeshow 143bc96+ 20161028-20:31Z			Id: 31/37



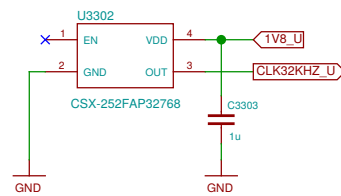
Cleaning up. The connections to BB-xM are on the next sheets.

connect to BB
by some Micro-USB cable

Modem USB



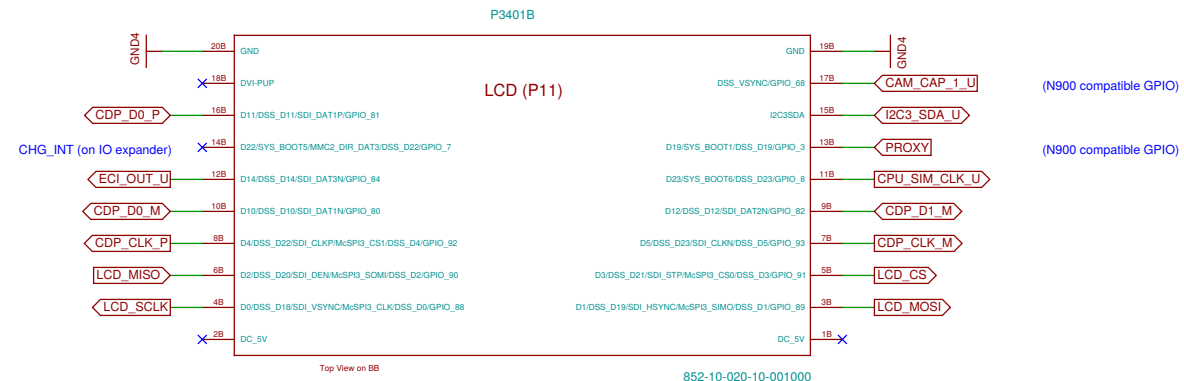
32 kHz clock



Alternative: OYKTGLJANF-0.032768

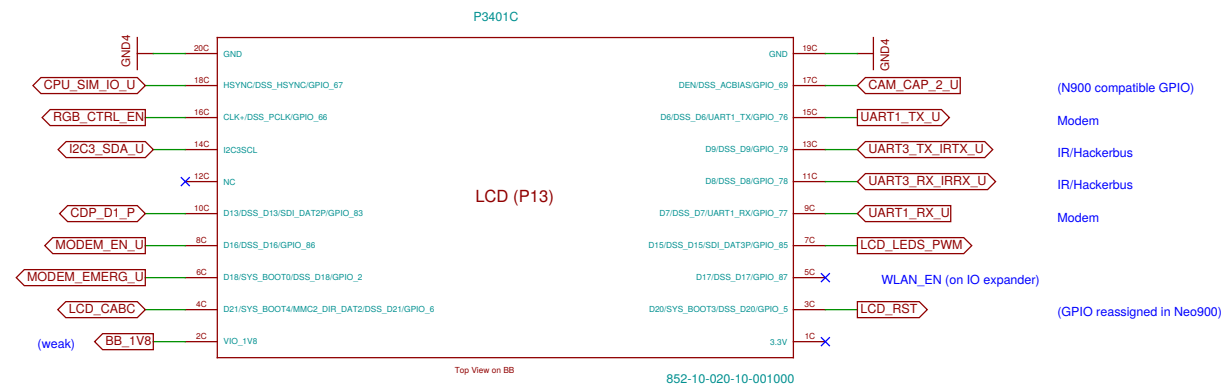
Sheet: /Connector to BB-XM/ File: neo900_SS_33.sch		
Title: Connector to BB-XM		
Size: A3	Date: 2016-10-28 21:16:24	Rev:
Plotted by eeshow 143bc96+ 20161028-20:31Z		Id: 33/37

P11 (7.25)



Same part, as "breakaway" strip (100 positions):
852-10-1000-10-001000

P13 (7.25)

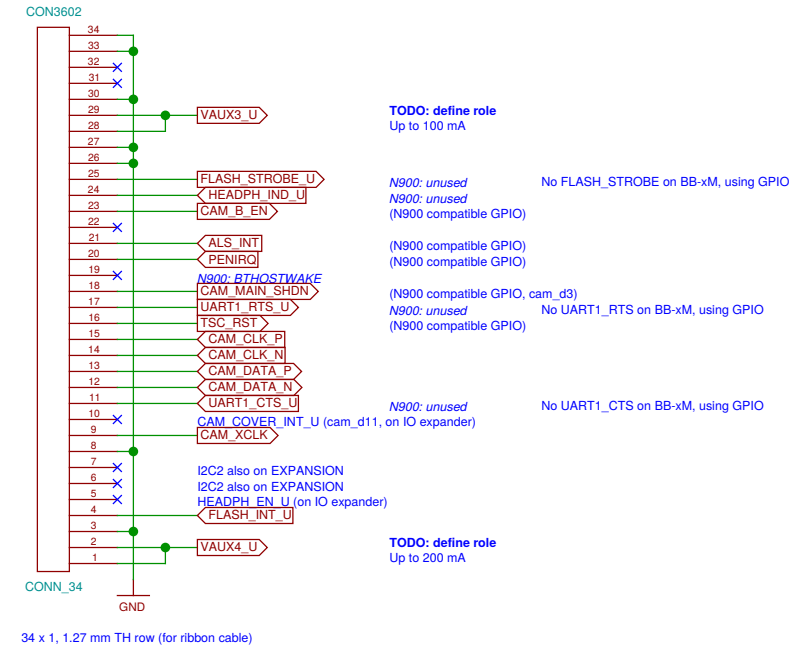
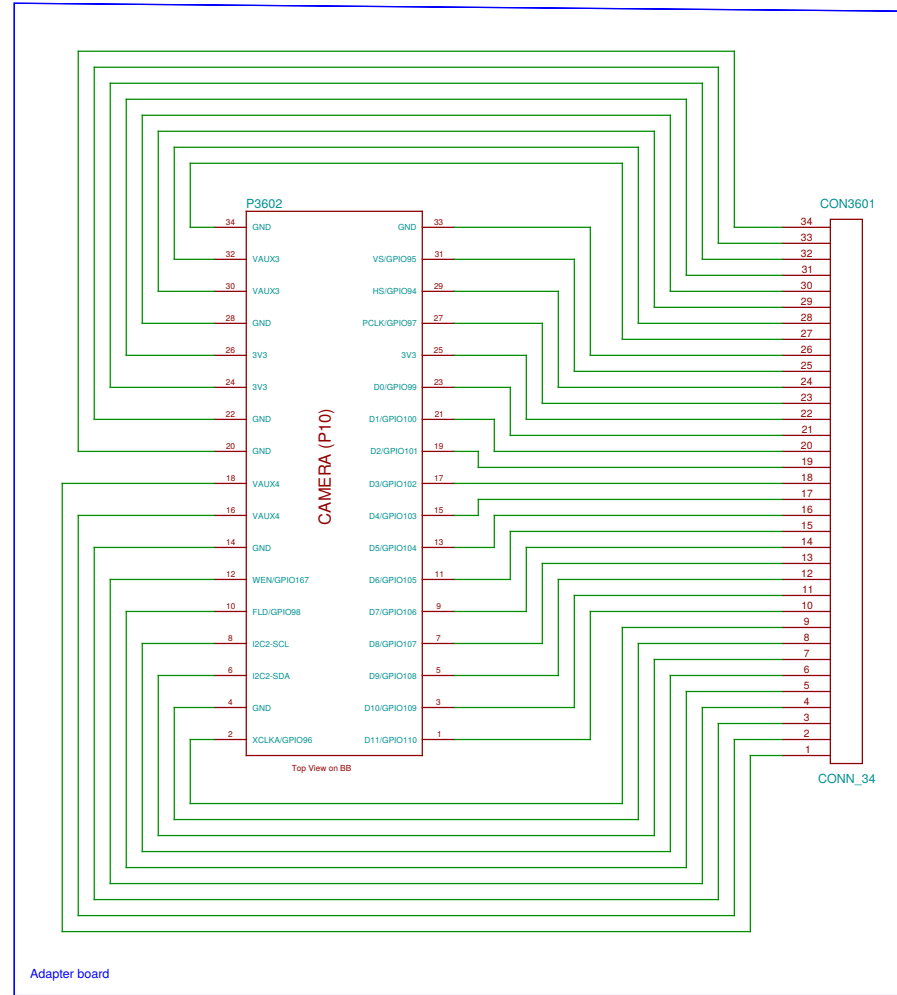


Same part, as "breakaway" strip (100 positions):
852-10-1000-10-001000

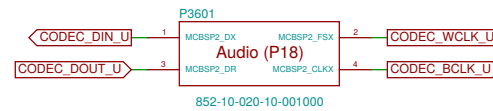
TODO: update pin names in footprint

Sheet: /BB-XM Adapter (DISP/		
File: neo900_SS_35.sch		
Title: BB-XM Adapter (DISP)		
Size: A3	Date: 2016-10-28 21:16:24	Rev:
Plotted by eeshow 143bc96+ 20161028-20:31Z		Id: 35/37

Processor Camera Port Interface (P10, 7.20.3)



TODO: update pin names in footprint



This part is a "breakaway" strip (20 positions) and needs to be customized (cut) before assembly.
Alternatively, 852-10-100-10-001000 (100 positions) could be used.

Molex Jumper cables to connect BB-XM-Adapter to Uppwer board

N3701 15015-0439	N3702 15015-0439	N3703 15015-0439
CPU	DISP	CAM

N3704 N900 case assembly

N3705 N97-CAMERA-HOLE

N3706 headset jack

N3707 STENCIL-TOP

N3708 STENCIL-BOTTOM

Sheet: /No-Solder Components/ File: neo900_SS_37.sch		
Title: No-Solder Components		
Size: A3	Date: 2016-10-28 21:16:24	Rev:
Plotted by eeshow 143bc96+ 20161028-20:31Z		Id: 37/37