

Click | Here
V

This sheet: index

Sheet: Charger/OTG



Charger/OTG

File: charger.sch

Sheet: Battery



Battery

File: battery.sch

Sheet: Modem Power



Modem Power

File: modempwr.sch

Sheet: 3G/4G Modem



3G/4G Modem

File: modem.sch

Sheet: SIM cards and switch



SIM cards and switch

File: sims.sch

Sheet: Modem Antennas



Modem Antennas

File: ants.sch

Sheet: WLAN, Bluetooth, FM



WLAN, Bluetooth, FM

File: wlan.sch

Sheet: Sensors



Sensors

File: sensors.sch

Sheet: Audio Codec



Audio Codec

File: codec.sch

Sheet: Audio Headset, ECI



Audio Headset, ECI

File: jack.sch

Sheet: Misc



Misc

File: misc.sch

Click | Here
V

Sheet: RFID/NFC



RFID/NFC

File: nfc.sch

Sheet: Infrared



Infrared

File: ir.sch

Sheet: B2B LOWER-UPPER



B2B LOWER-UPPER

File: b2b.sch

Sheet: Hackerbus



Hackerbus

File: hb.sch

Sheet: uSD Breakout Board



uSD Breakout Board

File: bob.sch

Sheet: Keypad and buttons



Keypad and buttons

File: keys.sch

Sheet: Display



Display

File: display.sch

Sheet: Cameras



Cameras

File: cams.sch

Sheet: LEDs



LEDs

File: leds.sch

Click | Here
V

Sheet: Adaptation (v2 only)



Adaptation (v2 only)

File: v2.sch

Sheet: BB-xM Adapter (CPU)



BB-xM Adapter (CPU)

File: bbcpu.sch

Sheet: BB-xM Adapter (DISP)



BB-xM Adapter (DISP)

File: bbdisp.sch

Sheet: BB-xM Adapter (CAM)



BB-xM Adapter (CAM)

File: bbcam.sch

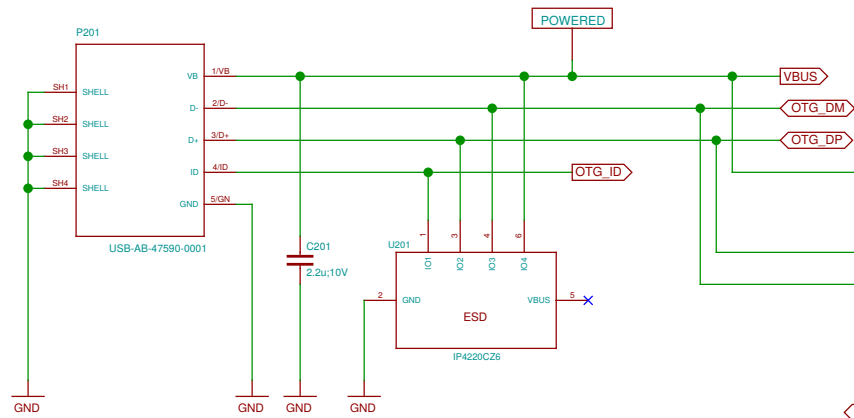
Circuits that exist in the v2 prototype only
and that will not be part of the final design.

Note regarding I2C addresses:
Addresses in the schematics are provided for convenience.
The authoritative source is
<https://neo900.org/git/misc/tree/i2c>

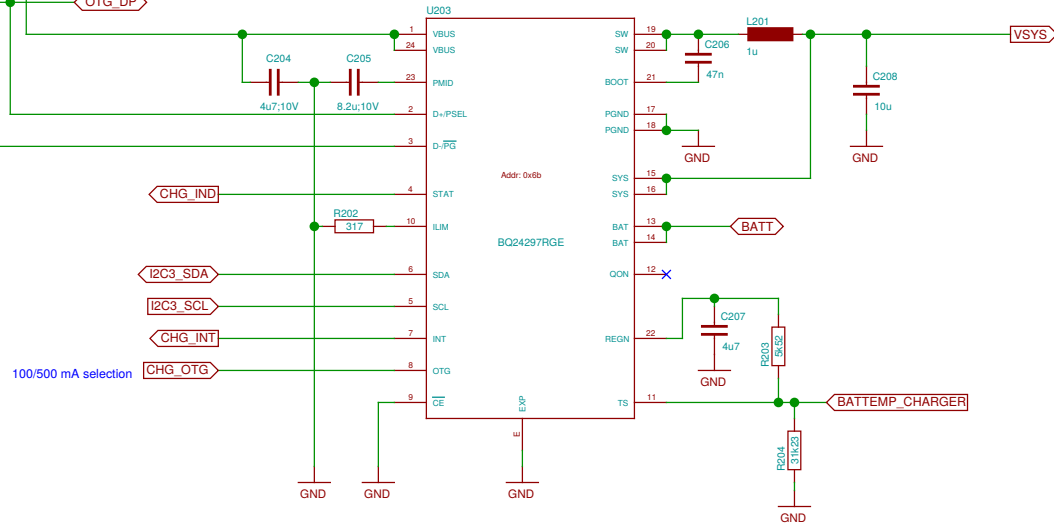
Signals that exist on both LOWER and UPPER (and maybe also BOB)
have a _U suffix on UPPER. No suffix is needed to distinguish
between LOWER and BOB because all BOB components are on
the same sheet and wires connecting them use sheet-local labels.

Sheet: /			
File: neo900.sch			
Title: Neo900			
Size: A3	Date: 2016-11-14 10:27:13	Rev:	
Plotted by eeshow a9b66dd+ 20161113-21:01Z		Id: 1/25	

USB OTG connector

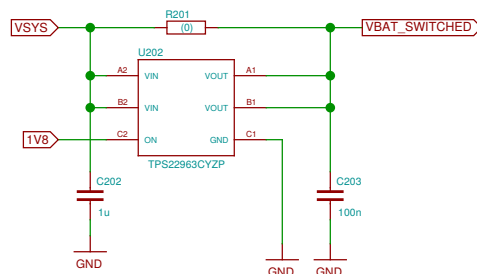


Battery charger with USB OTG

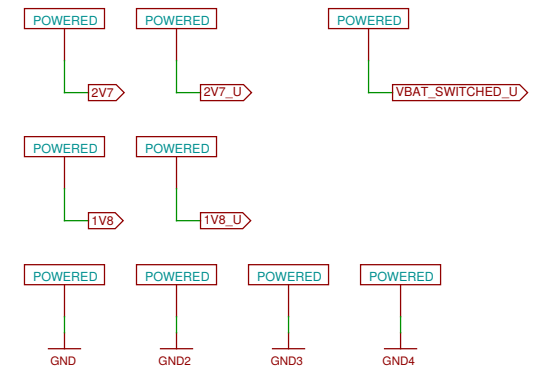


Power distribution and sequencing

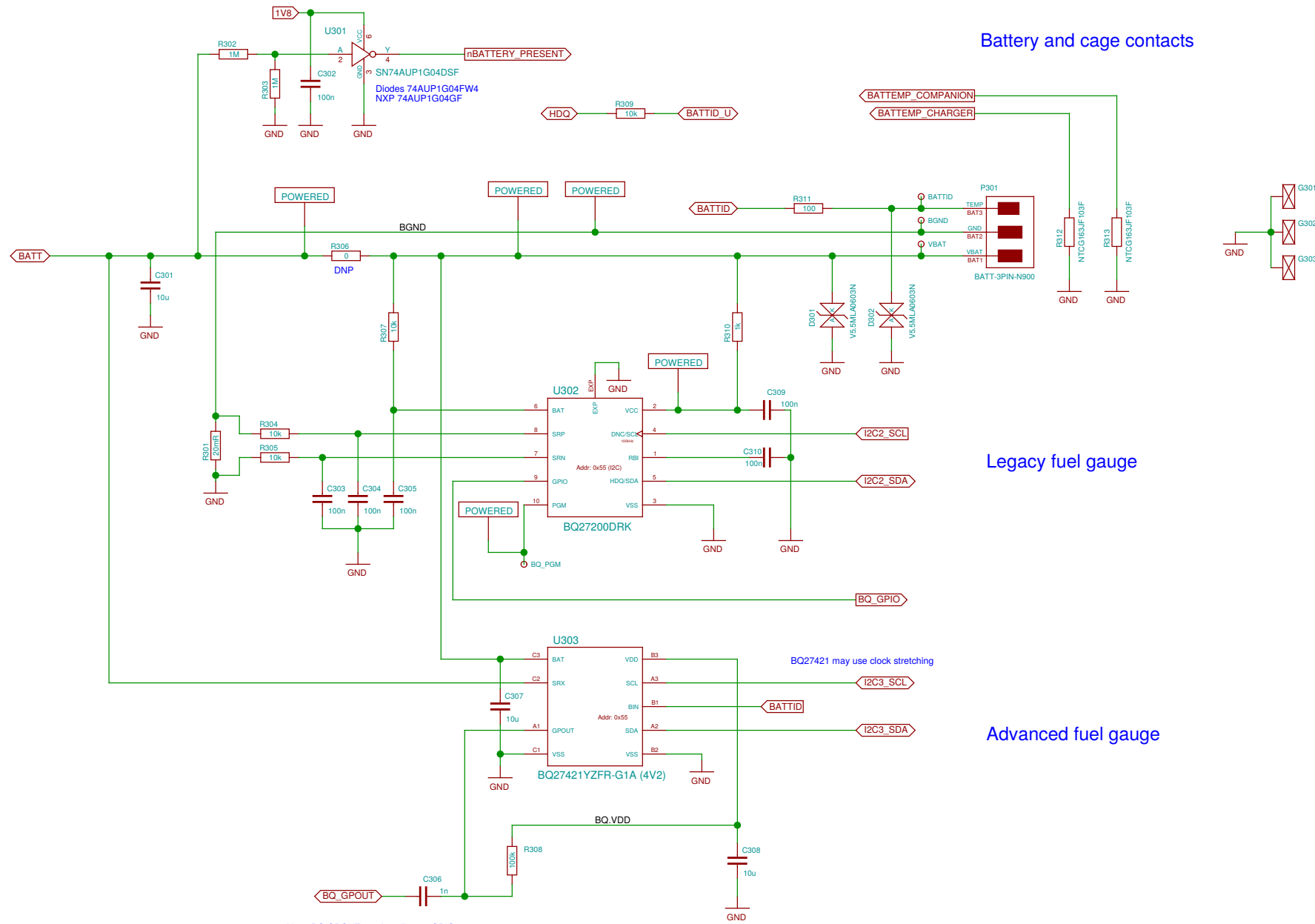
Most high-current consumers are on VBAT_SWITCHED.
1V8 signals that the regulators on UPPER are operational.



KiCad bureaucracy



Sheet: /Charger/OTG/		File: charger.sch	
Title: Charger/OTG			
Size: A3	Date: 2016-11-14 02:39:53	Rev:	
Plotted by eeshow a9b66dd+ 20161113-21:01Z			Id: 2/25



Battery and cage contacts

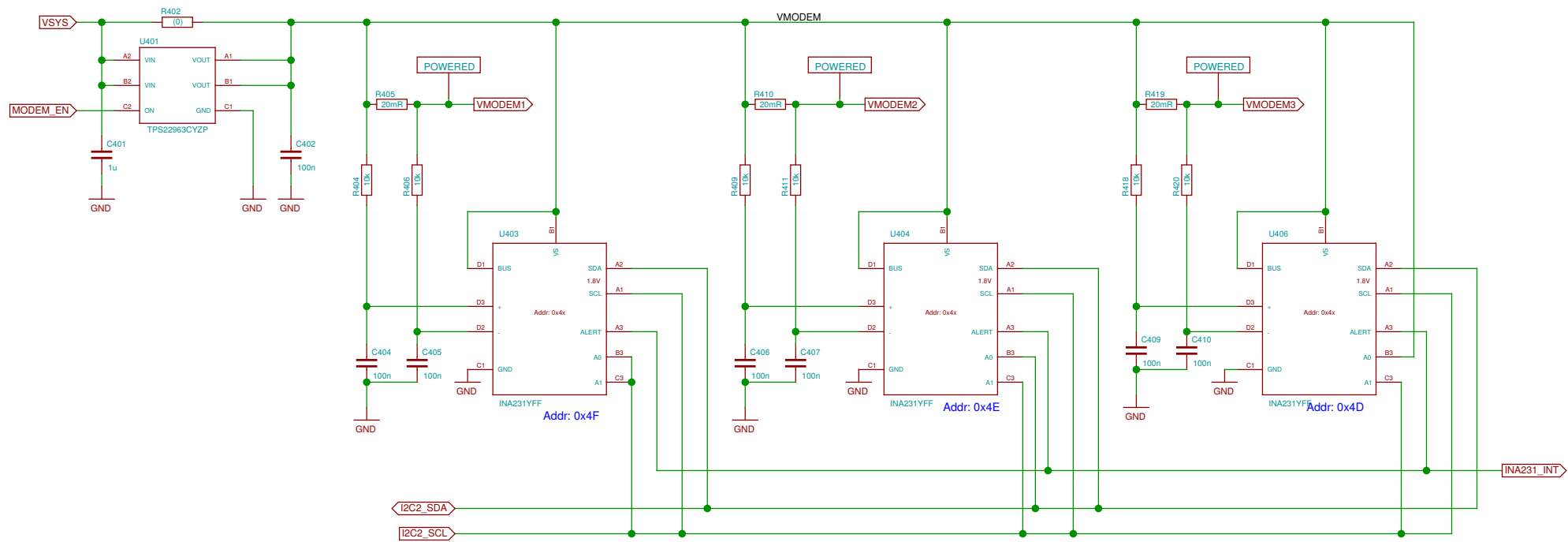
Legacy fuel gauge

Advanced fuel gauge

Note: BQ.GPOUT needs pull-up at GPIO.

Sheet: /Battery/		Date: 2016-11-18 04:02:08	
File: battery.sch		Rev: 3/25	
Title: Battery		Plotted by eeshow a9b66dd+ 20161113-21:01Z	
Size: A3			

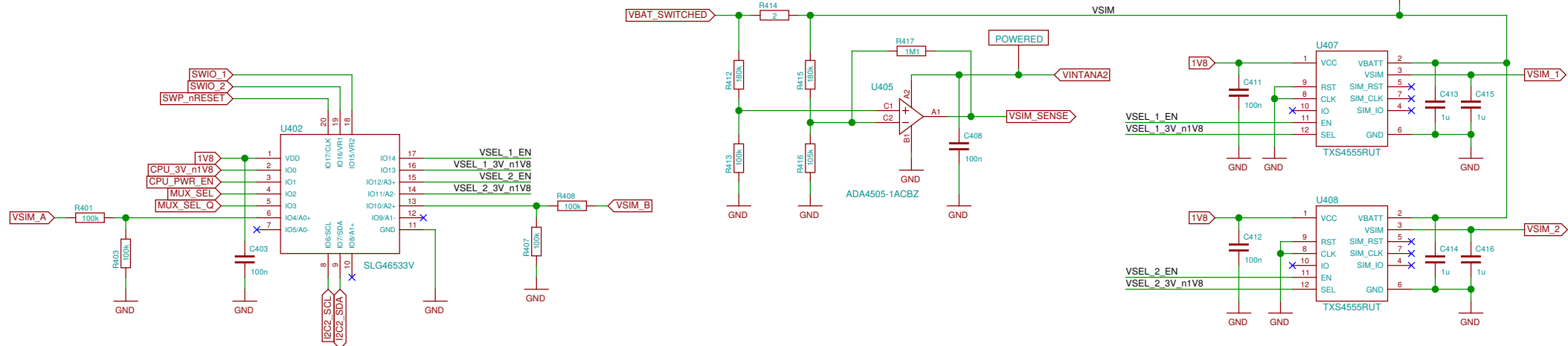
Modem current monitor



SIM current sensing

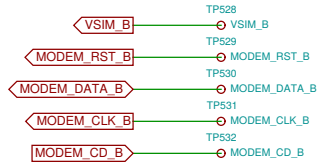
SIM power supply

SIM power selection

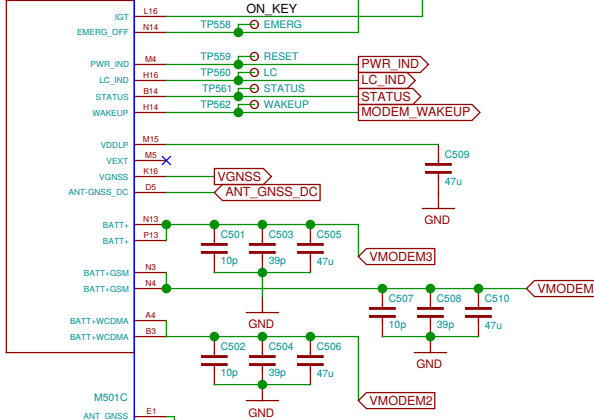
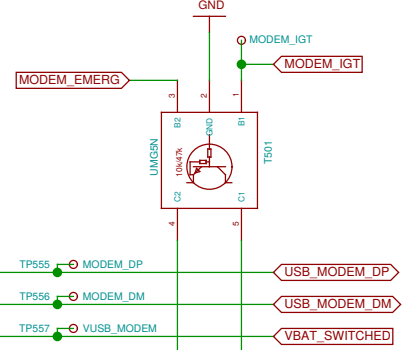
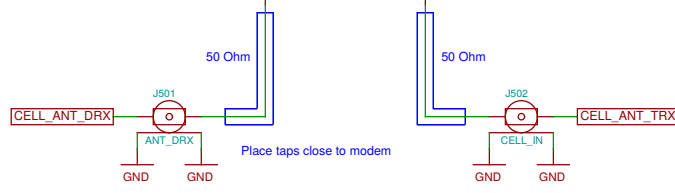
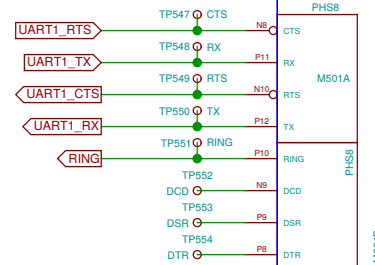
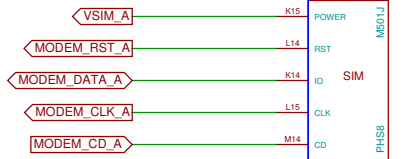
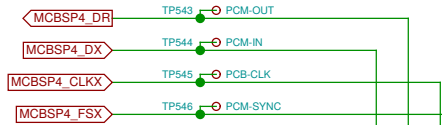


TODO: update SLG design for changed pins

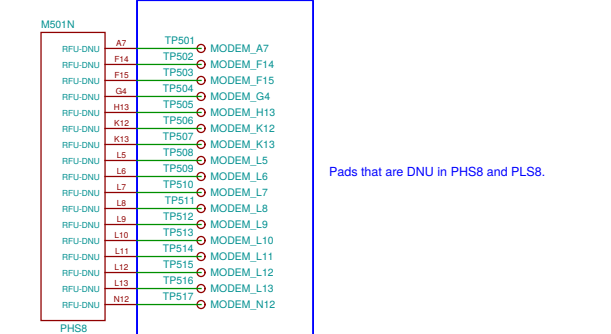
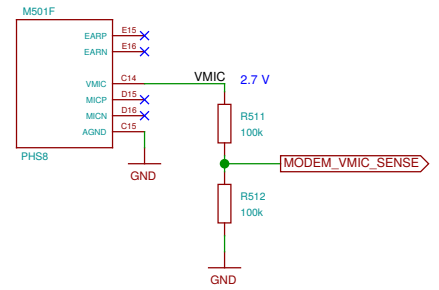
SIM B bus



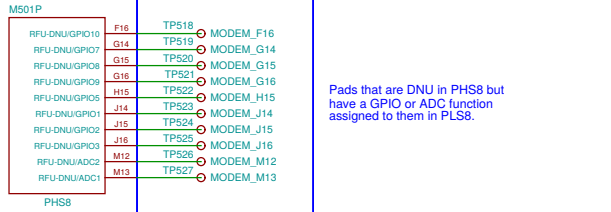
17+10+10 = 37 test points. PCB space permitting, to be arranged in a 6 x 6 + 1 grid with 1.0 mm pitch. This patchfield is to be placed adjacent to the SIM B bus test points.



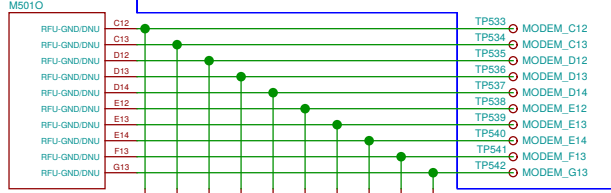
Anti-eavesdropping



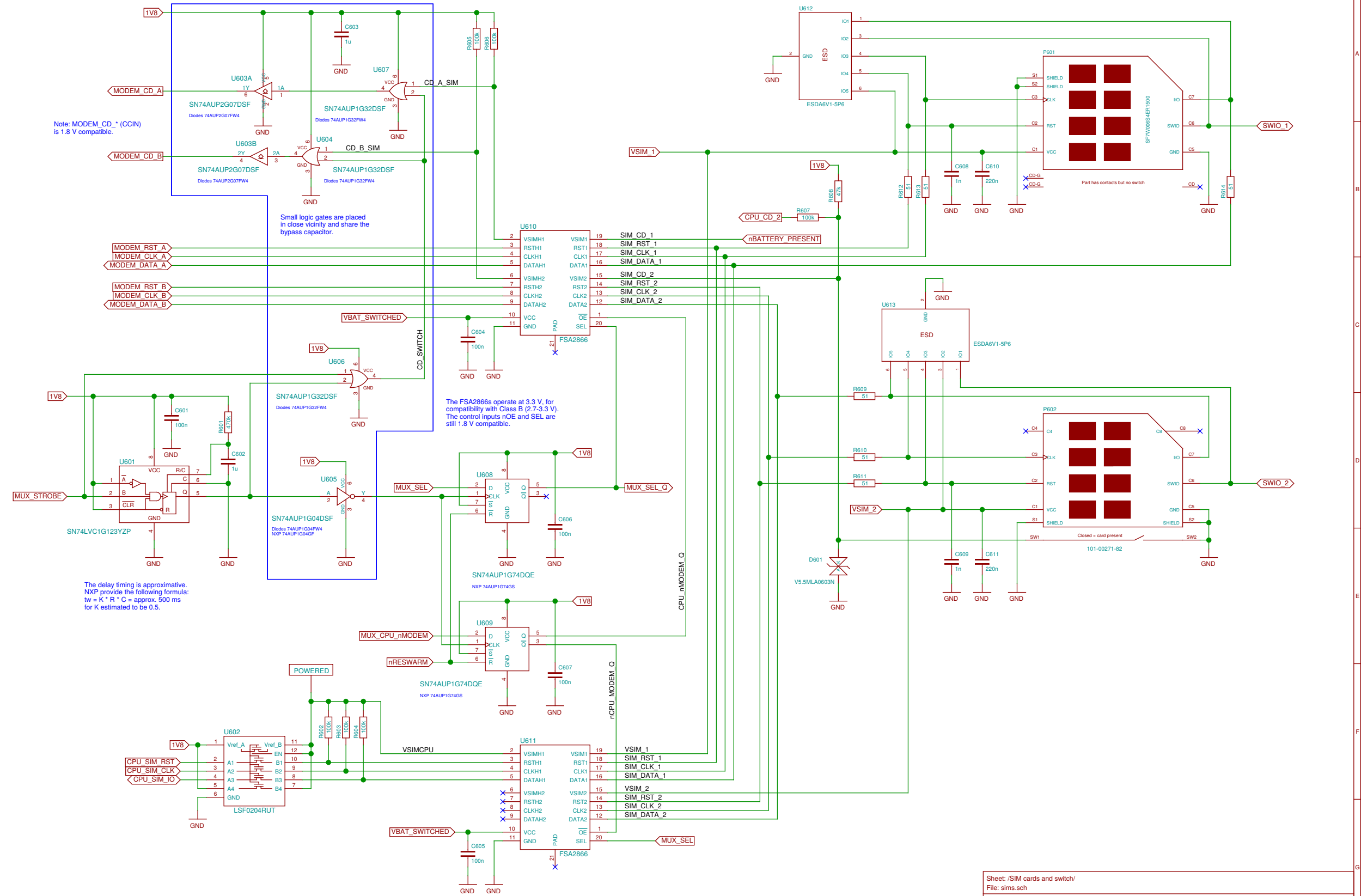
Pads that are DNU in PHS8 and PLS8.

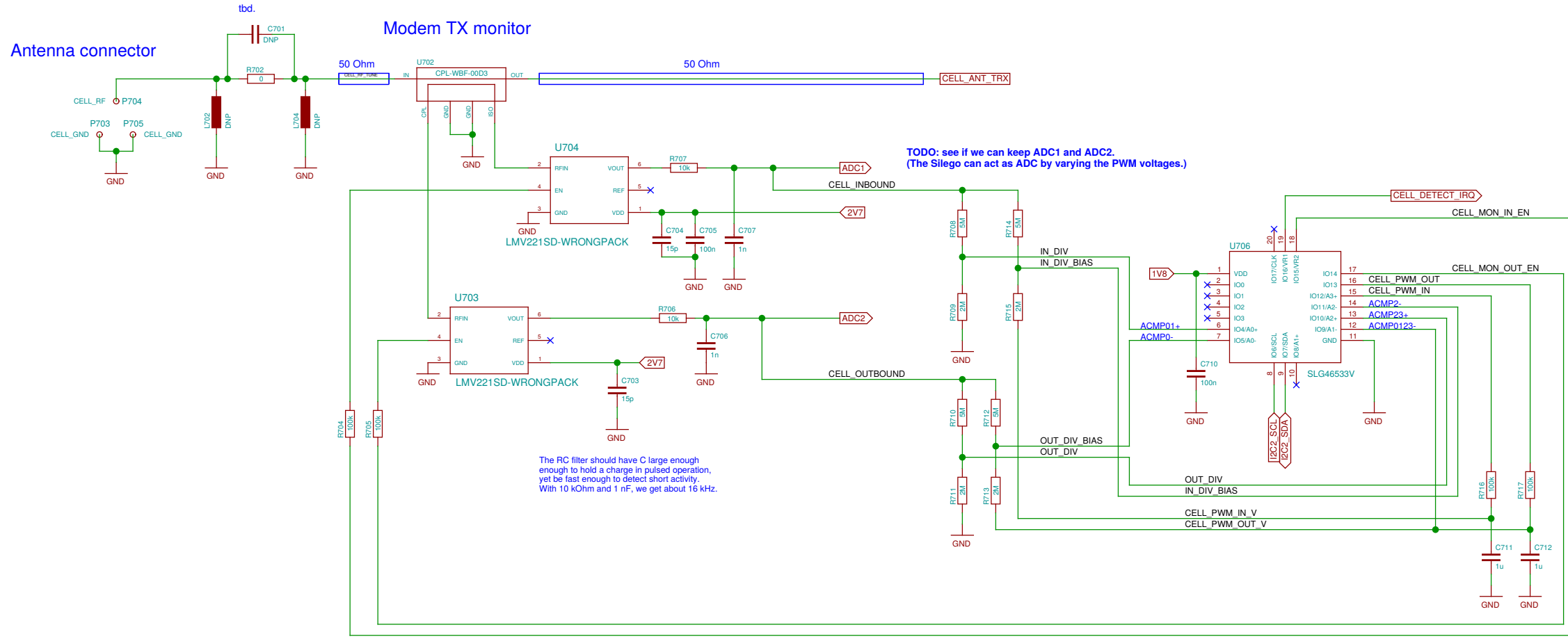
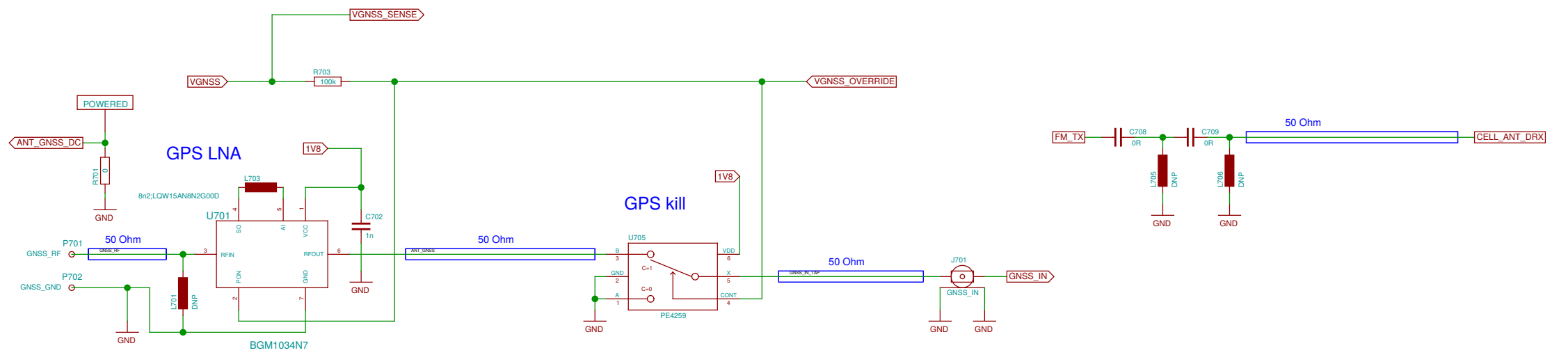


Pads that are DNU in PHS8 but have a GPIO or ADC function assigned to them in PLS8.



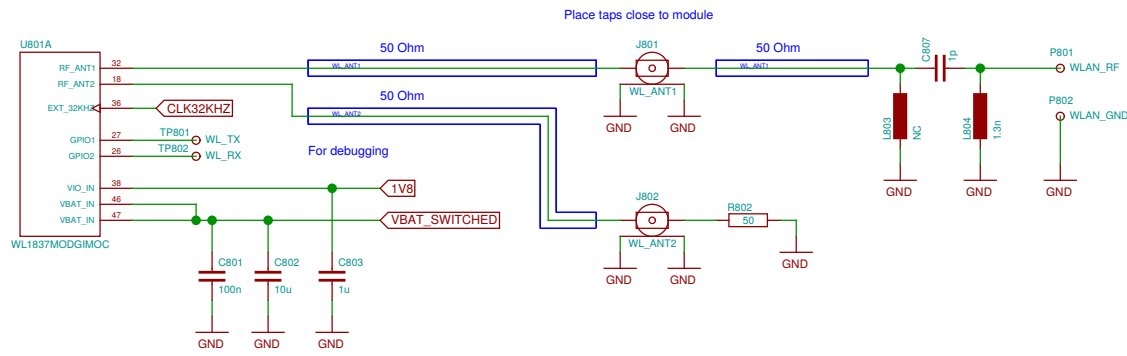
Pads RFU (GND) in PHS8 and RFU (DNU) in PLS8. The resistors indicate cuttable traces.



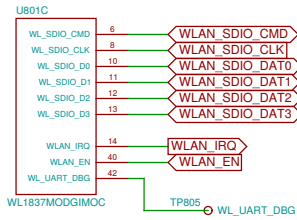


TODO: assign footprints for c-spring contacts

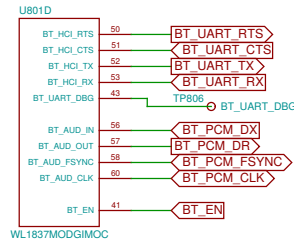
WLAN/BT antenna



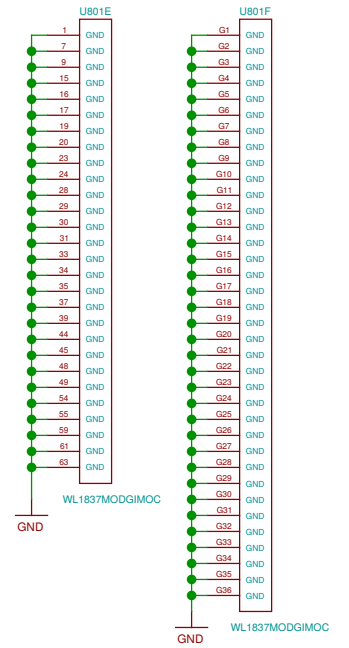
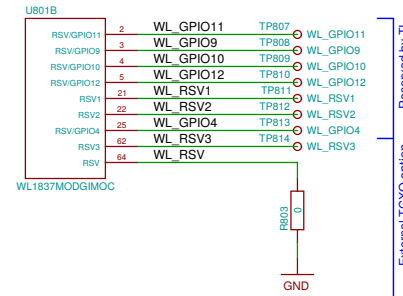
WLAN



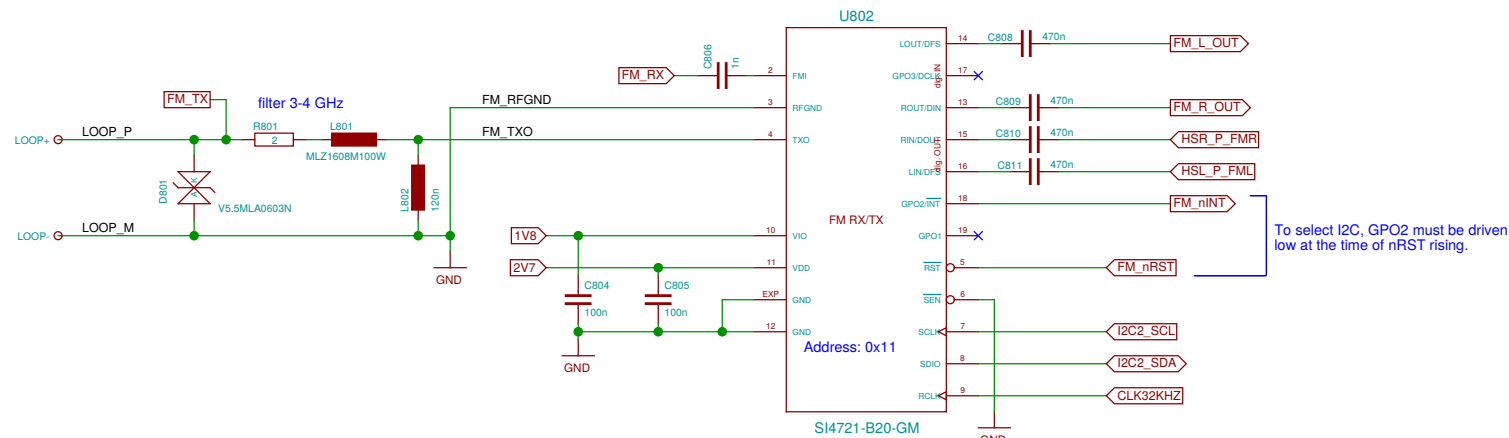
Bluetooth



Reserved / Debugging



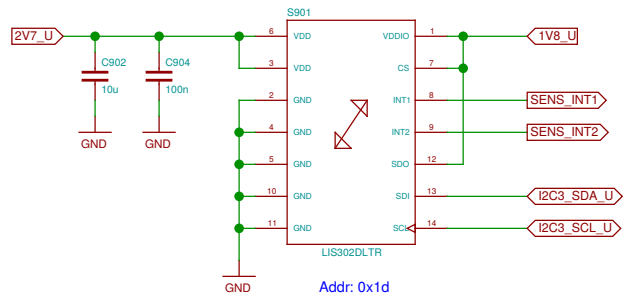
FM Radio (TX/RX)



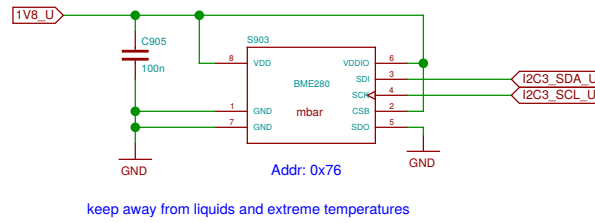
SI4705 is pin compatible (mostly) but RX-only

Sheet: /WLAN, Bluetooth, FM/ File: wlan.sch		
Title: WLAN, Bluetooth, FM		
Size: A3	Date: 2016-11-14 13:26:41	Rev:
Plotted by eeshow a9b66dd+ 20161113-21:01Z		Id: 8/25

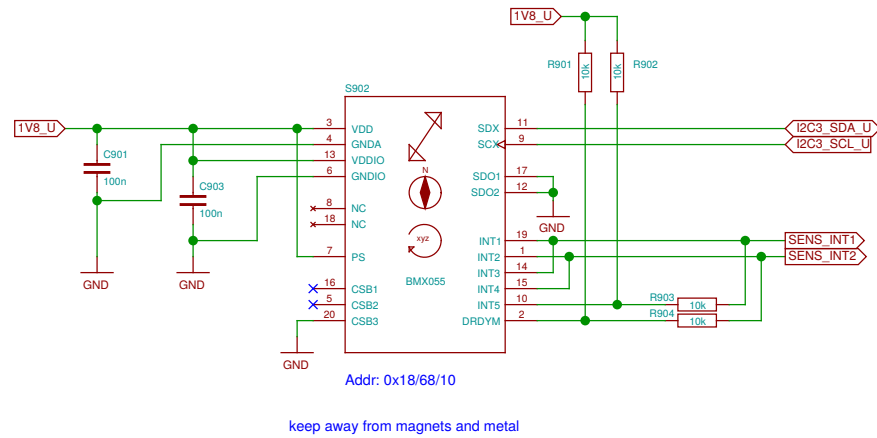
Acceleration (legacy)



Pressure, humidity

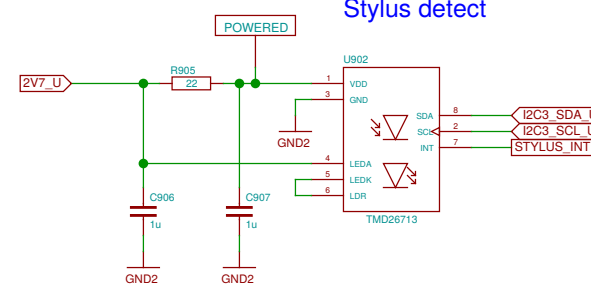


9-axis (acceleration, gyroscope, magnetometer)

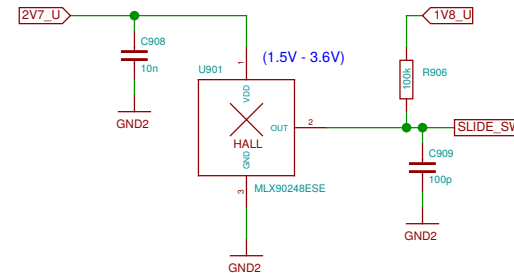


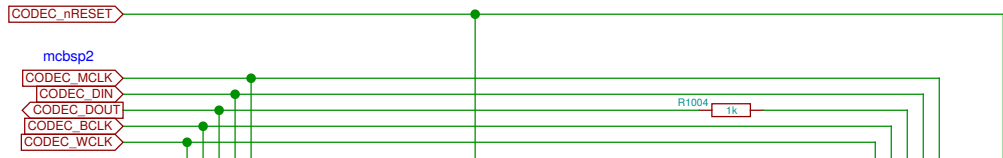
UPPER LOWER

Stylus detect

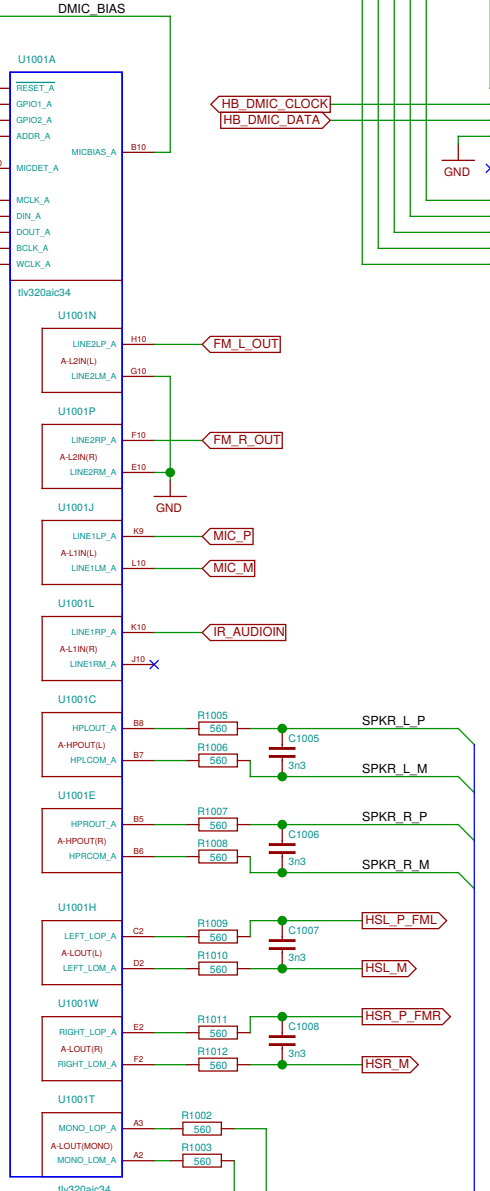
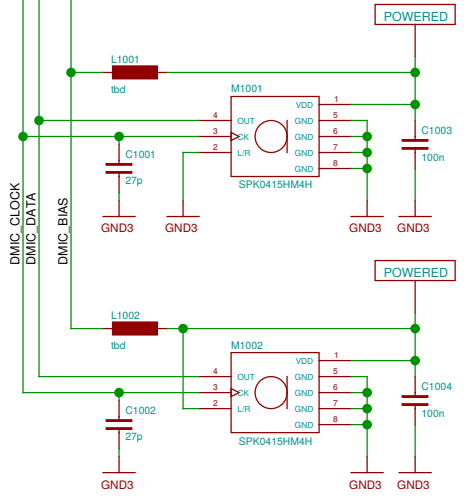


Slide sensor



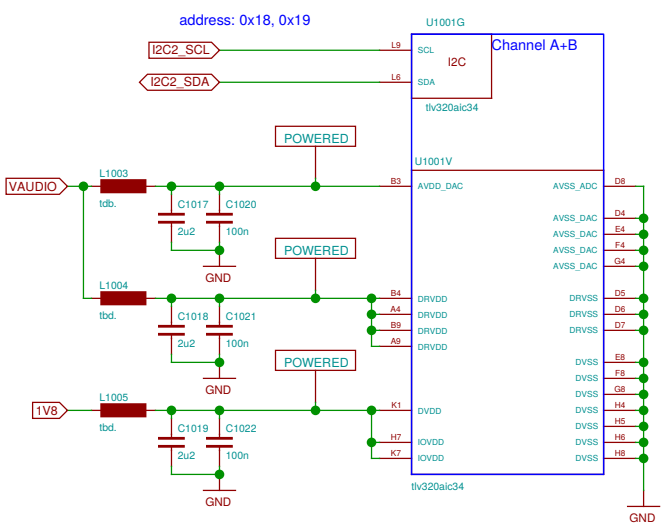


Digital Microphones

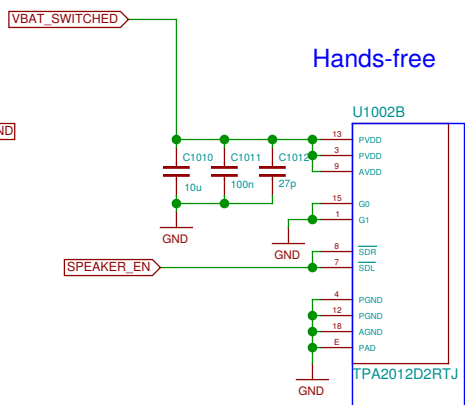


Codec

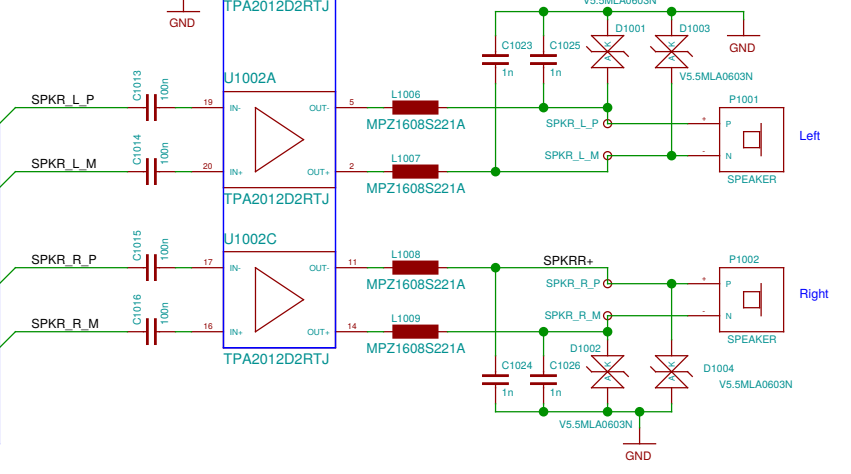
Codec power and I2C



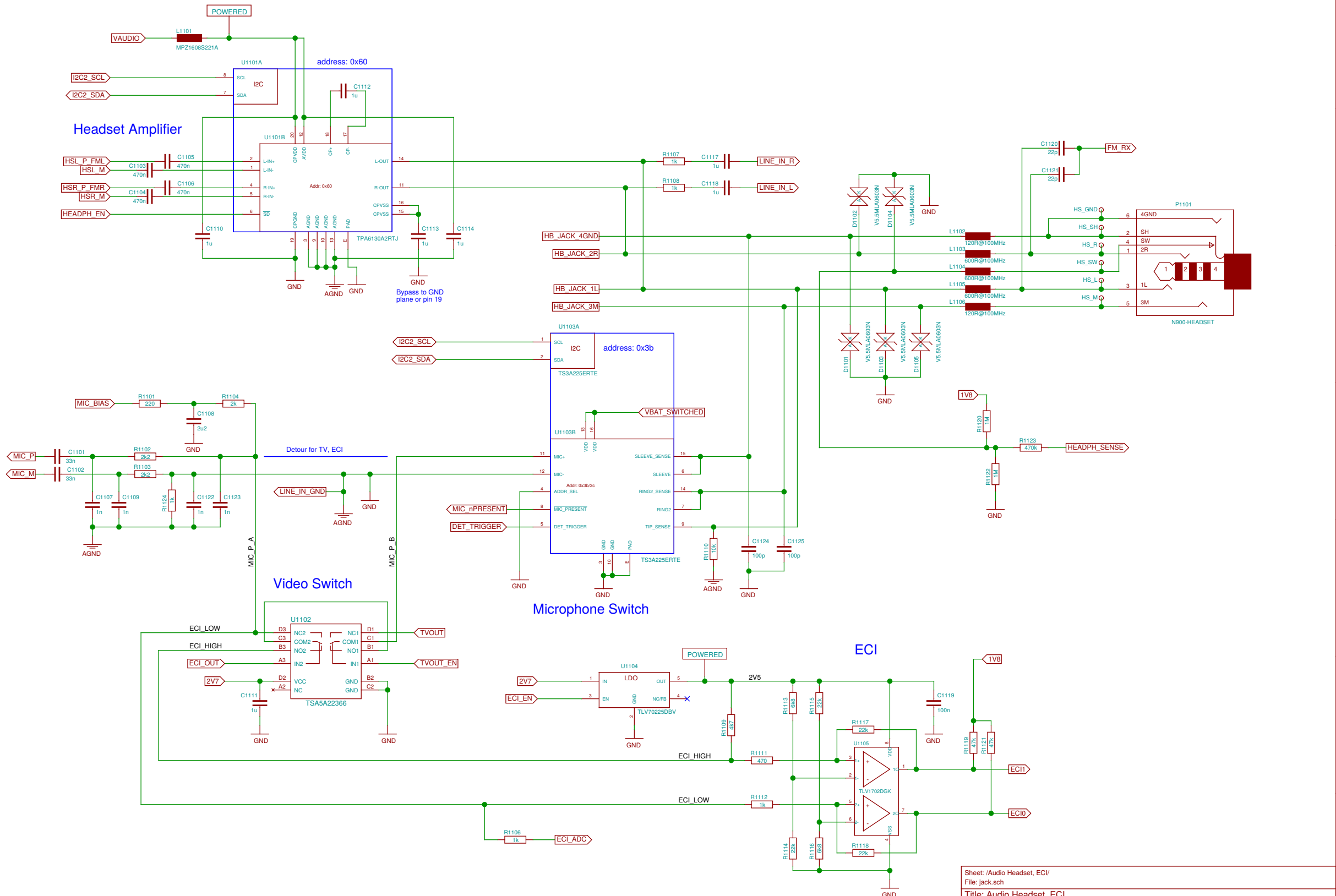
Hands-free



Speakers



Sheet: /Audio Codec/		Date: 2016-11-14 02:39:53	
File: codec.sch		Rev: 1d/25	
Title: Audio Codec		Plotted by eeshow a9b66dd+ 20161113-21:01Z	
Size: A3			



Sheet: /Audio Headset, ECI/		File: jack.sch	
Title: Audio Headset, ECI			
Size: A3	Date: 2016-11-14 05:43:01	Rev:	
Plotted by eeshow a9b66dd+ 20161113-21:01Z		Id: 11/25	

No-Solder Components

N1201
N900 case assembly

N1202
N97-CAMERA-HOLE

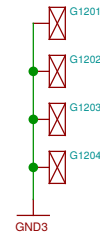
N1205
headset jack

N1203
STENCIL-TOP

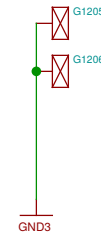
N1204
STENCIL-BOTTOM

Shield Contacts on UPPER

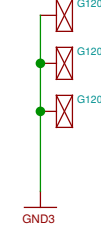
For the display



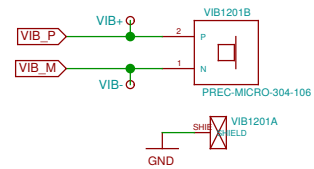
For the key mat



For the "key frame hook"

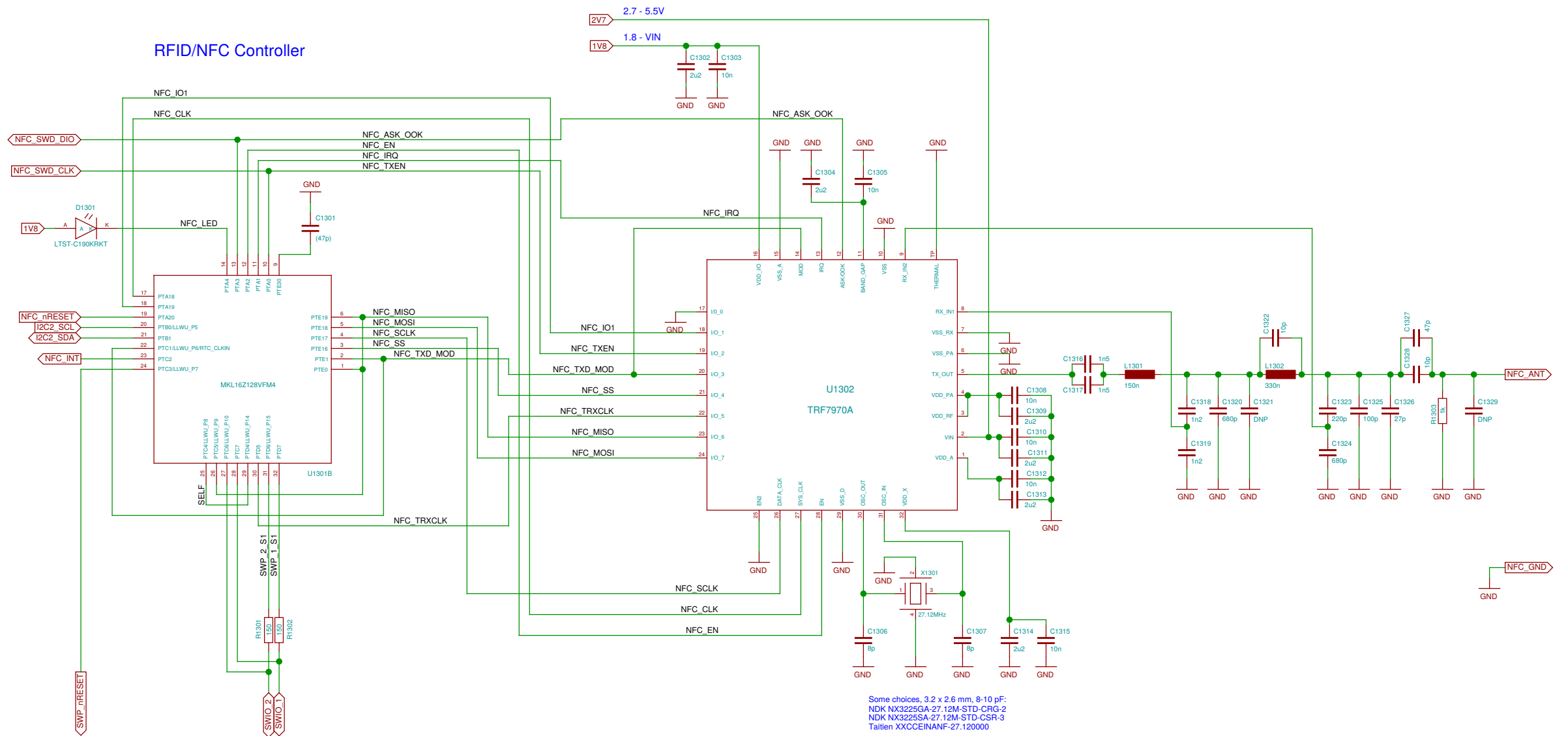


Vibramotor

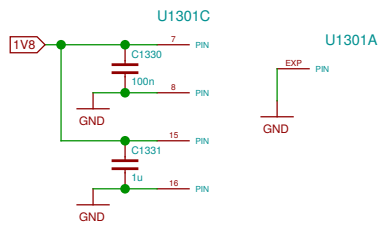


Sheet: /Misc/ File: misc.sch		
Title: Misc		
Size: A3	Date: 2016-11-14 02:39:53	Rev:
Plotted by eeshow a9b66dd+ 20161113-21:01Z		Id: 12/25

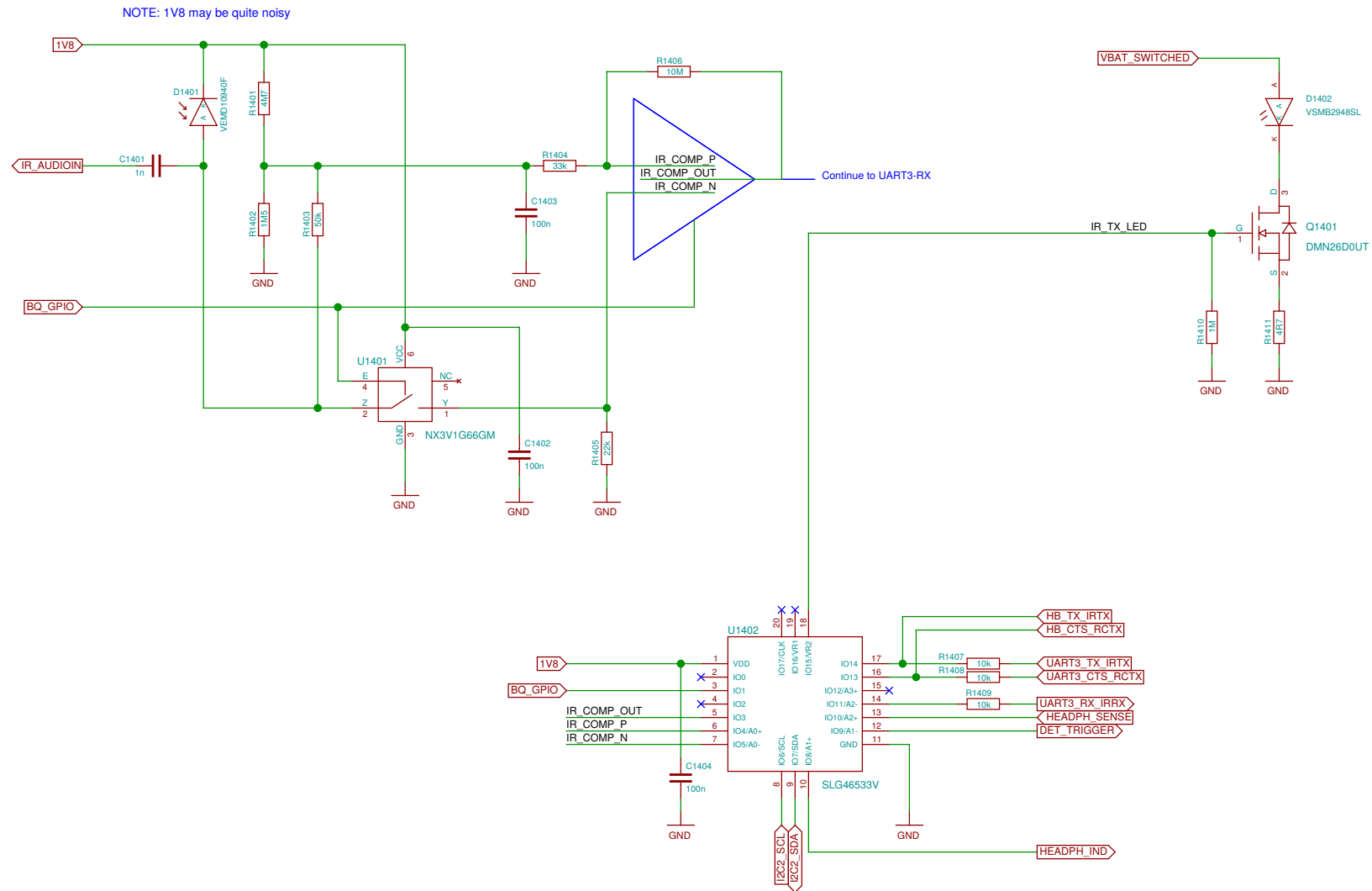
RFID/NFC Transceiver



Some choices, 3.2 x 2.6 mm, 8-10 pF:
 NDK NX3225GA-27.12M-STD-CRG-2
 NDK NX3225SA-27.12M-STD-CSR-3
 Taillien XXCCEINANF-27.120000

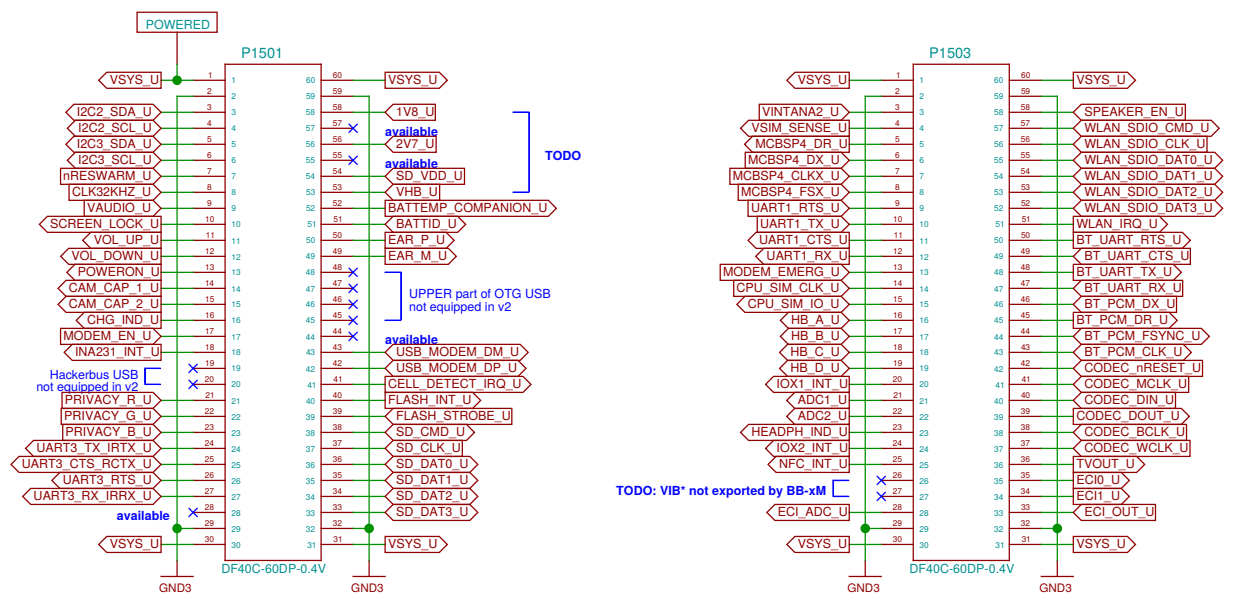


TODO: update D1901 footprint

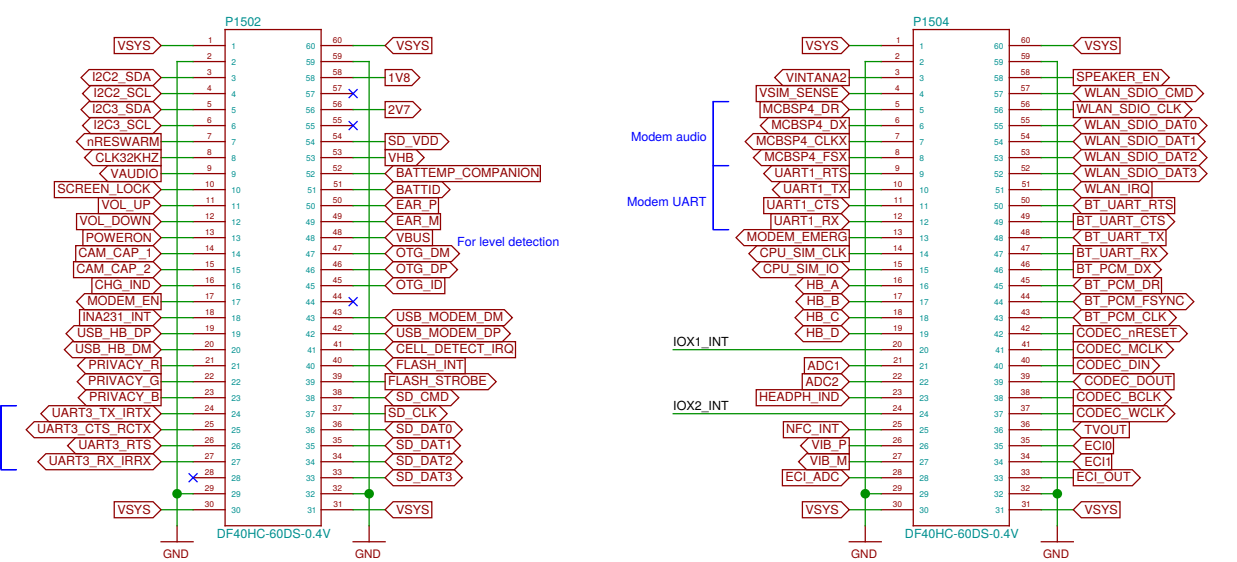


This is just the collection of signals we have.

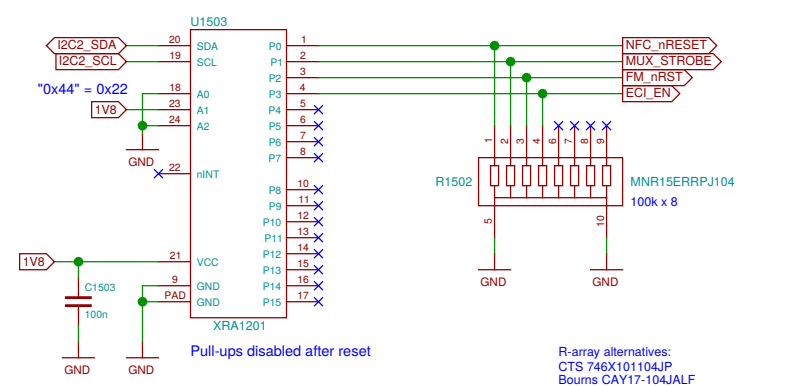
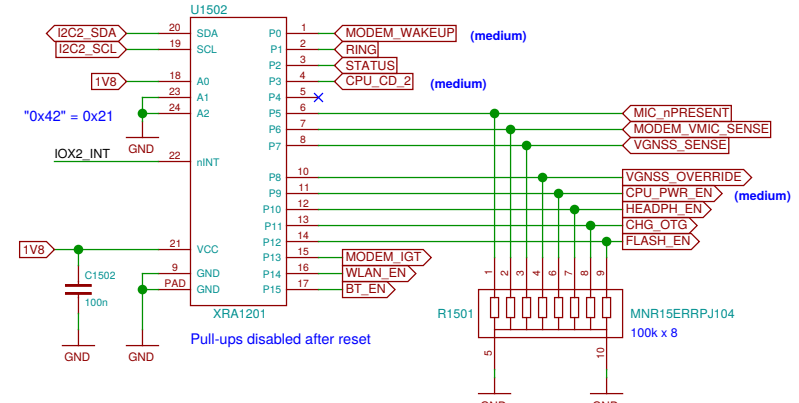
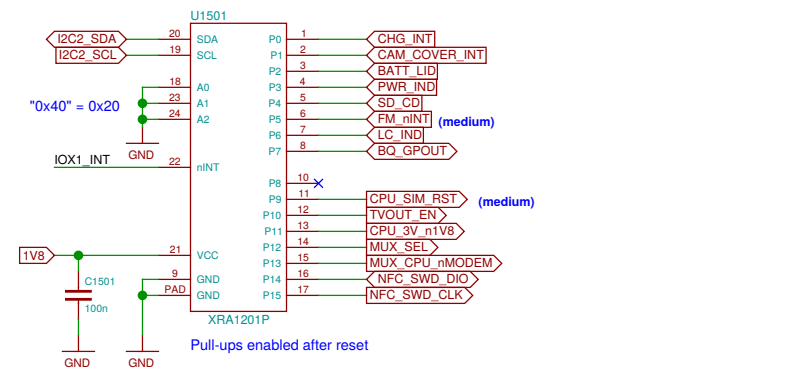
Proper assignment still pending.



UPPER
LOWER



Current rating per contact: 0.3 A

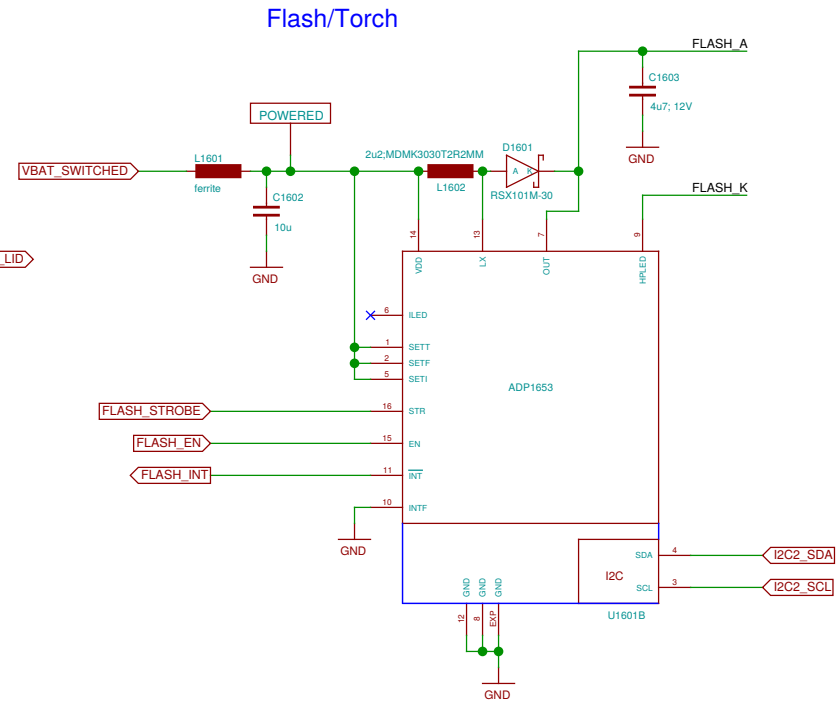
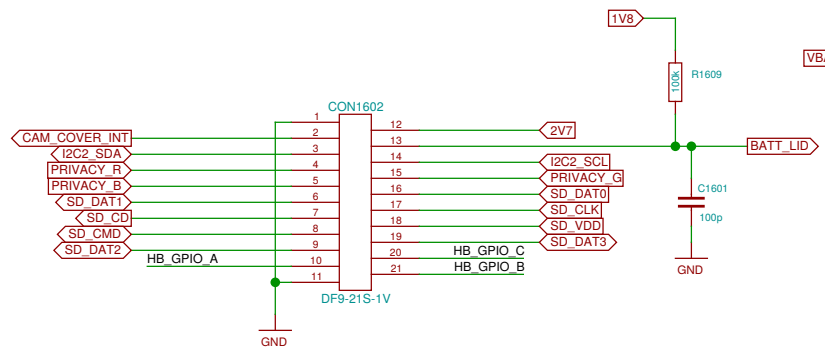
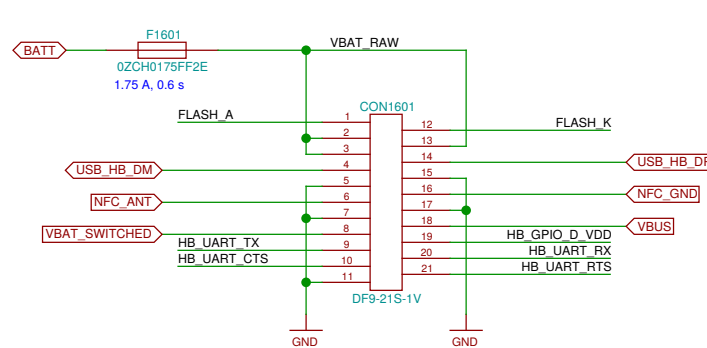


R-array alternatives:
CTS 746X101104JP
Bourns CAY17-104JALF
Panasonic EXB-D10C104J

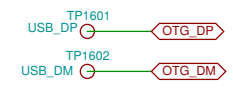
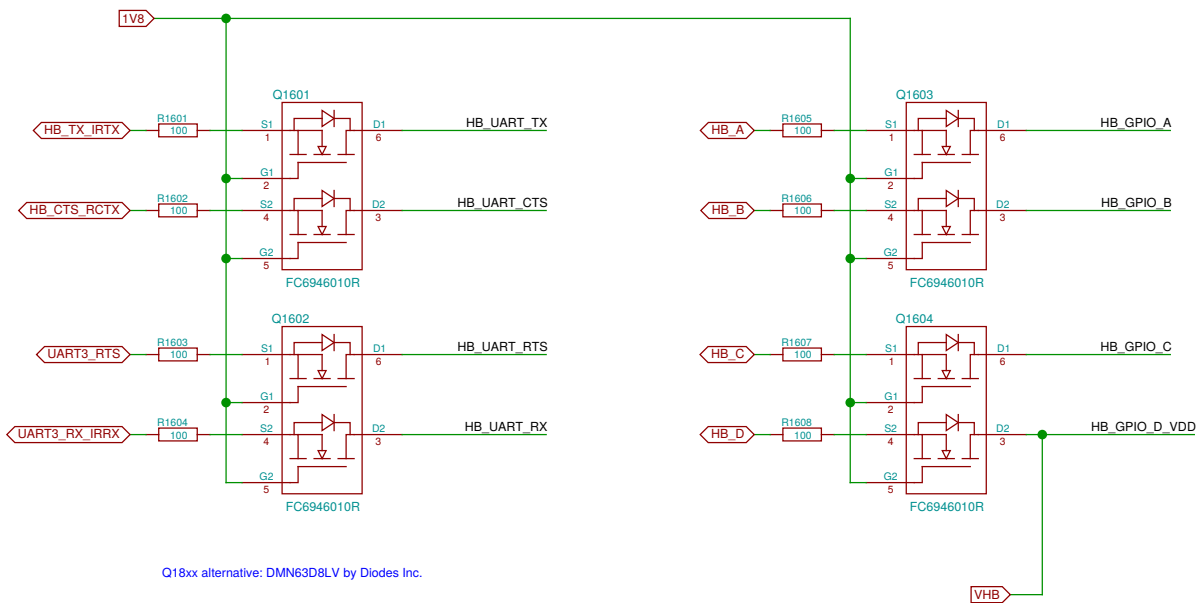
Sheet: /B2B LOWER-UPPER/ File: b2b.sch	
Title: B2B LOWER-UPPER	
Size: A3	Date: 2016-11-14 02:39:53
Plotted by: eeshow a9b66dd+ 20161113-21:01Z	Rev: Id: 15/25

LOWER-BOB Interconnect (LOWER side)

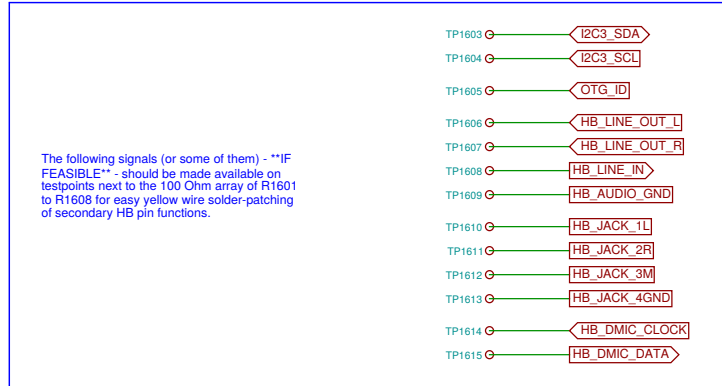
Defined in the Hackerbus specification, <http://neo900.org/stuff/papers/hb.pdf>



Level shifters for Hackerbus GPIO and UART

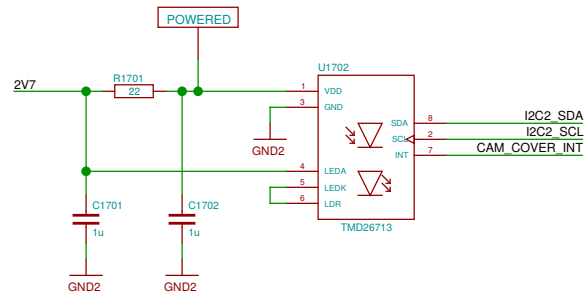


Patchfield

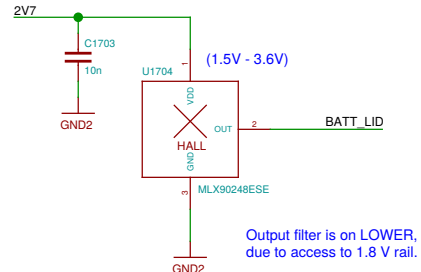


The following signals (or some of them) - **IF FEASIBLE** - should be made available on testpoints next to the 100 Ohm array of R1601 to R1608 for easy yellow wire solder-patching of secondary HB pin functions.

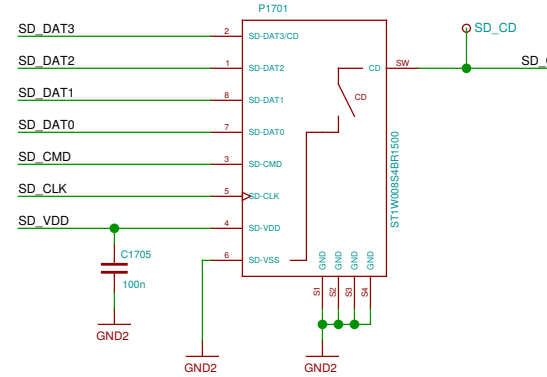
Camera Cover detect



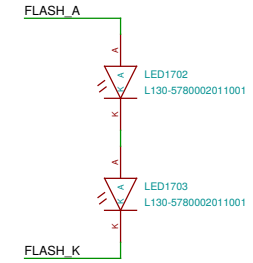
Battery Cover detect



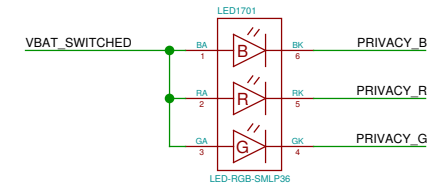
Memory card holder



Camera flash

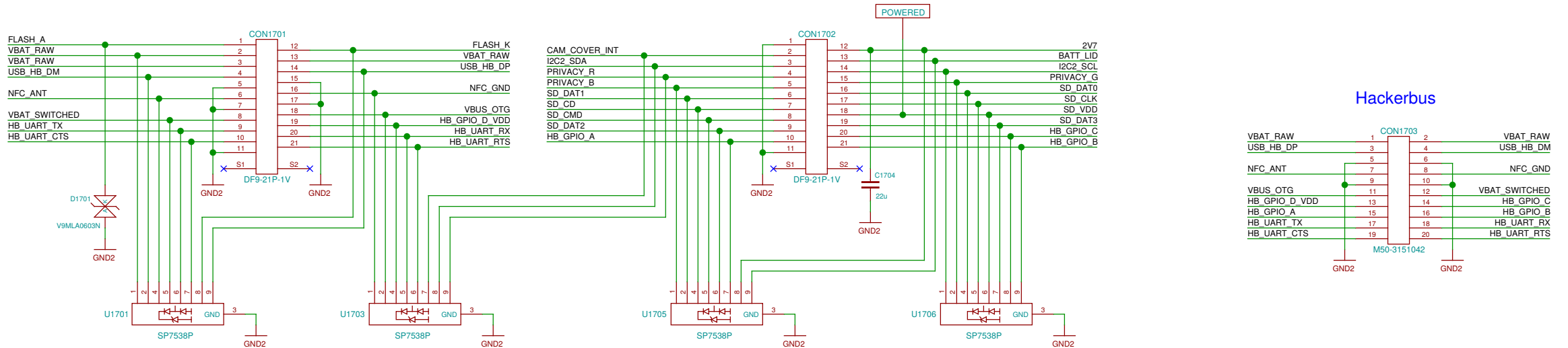


Privacy LED



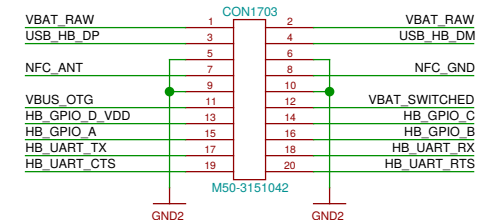
LOWER-BOB Interconnect (BOB side)

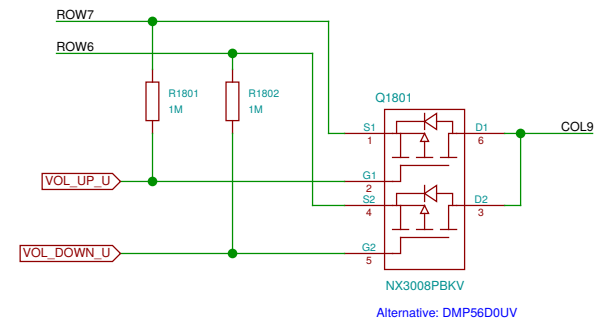
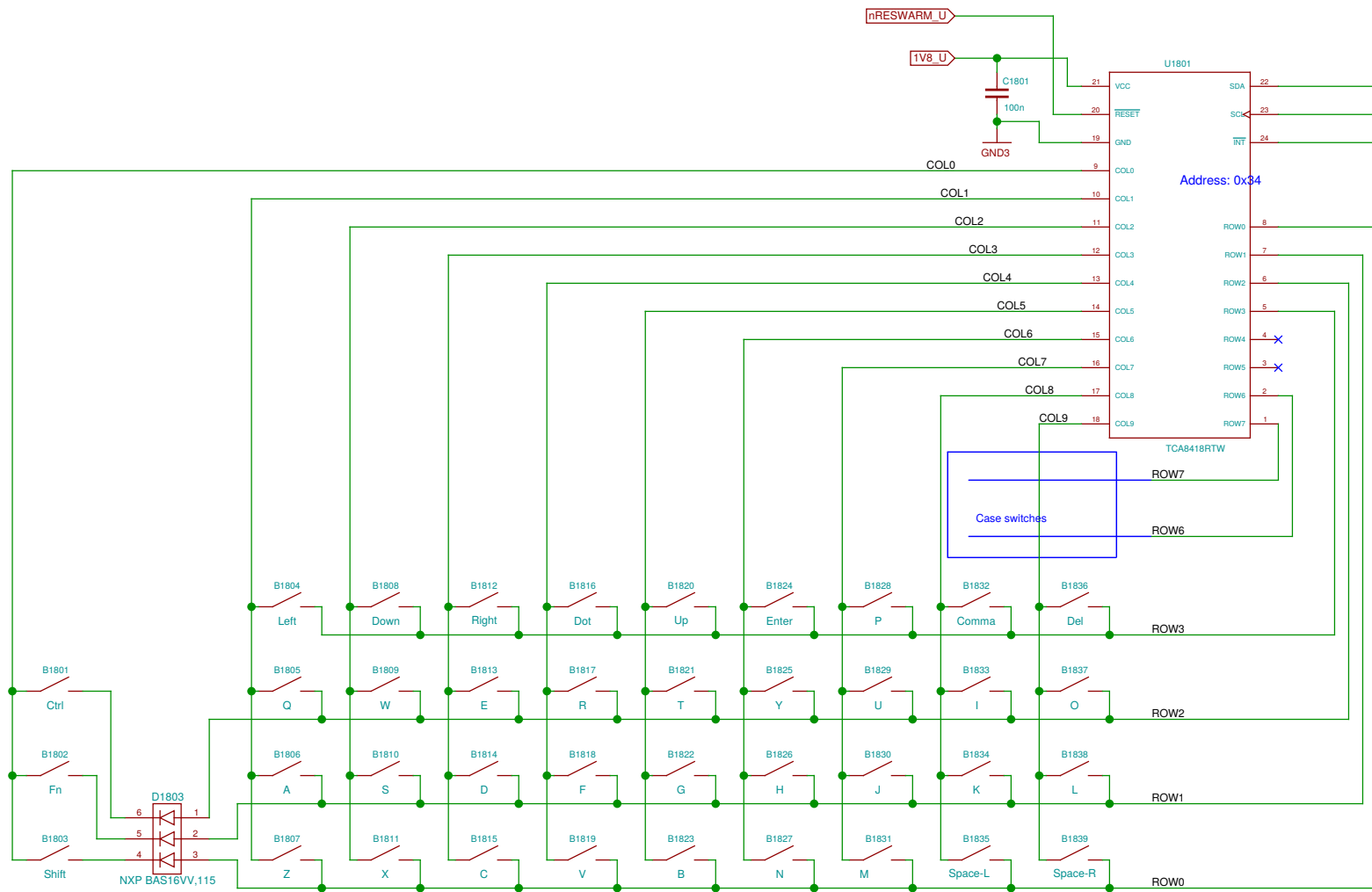
Defined in the Hackerbus specification, <http://neo900.org/stuff/papers/hb.pdf>



**ESD pin assignment is only indicative.
Actual assignment to be defined by layout.**

Hackerbus

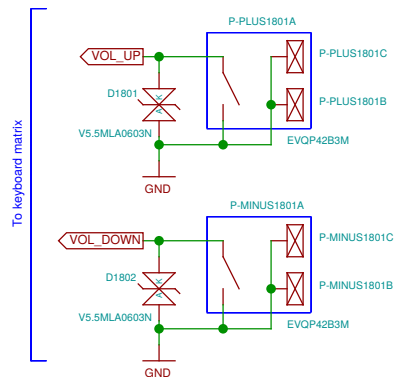




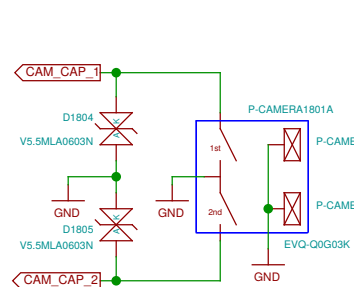
Alternative: Diodes Inc. BAS16VV-7
Warning: Diodes Inc. have cathodes on pin 1 side, NXP anodes !

UPPER
LOWER

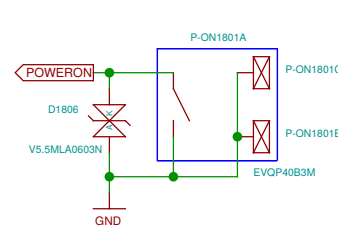
Volume



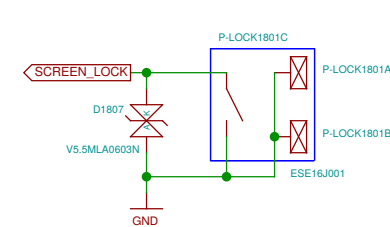
Camera trigger



On-off



Lock switch



To CPU

To companion chip

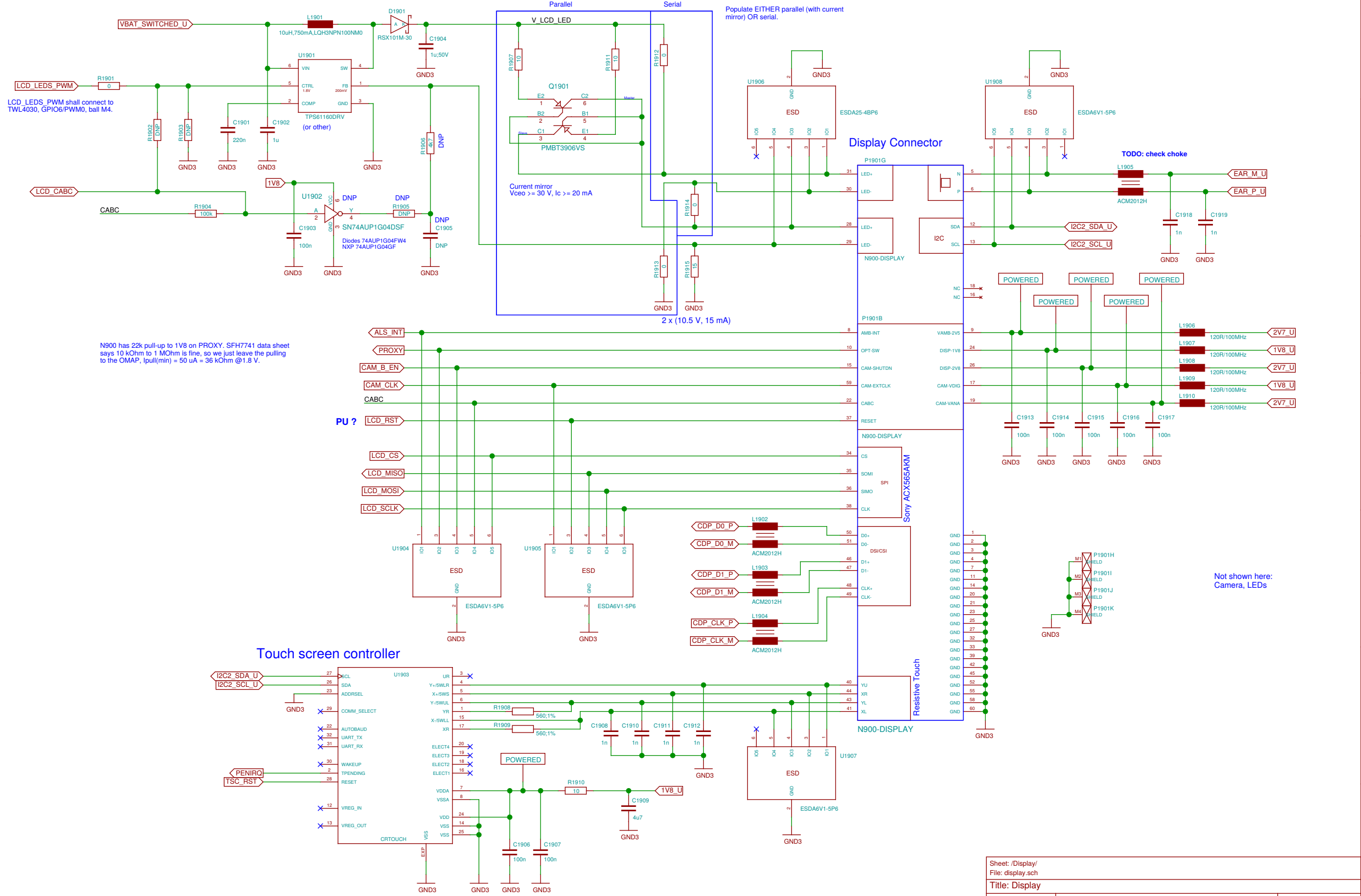
To CPU

Sheet: /Keypad and buttons/
File: keys.sch

Title: Keypad and buttons

Size: A3 Date: 2016-11-14 02:39:53
Plotted by eeshow a9b66dd+ 20161113-21:01Z

Rev:
Id: 18/25

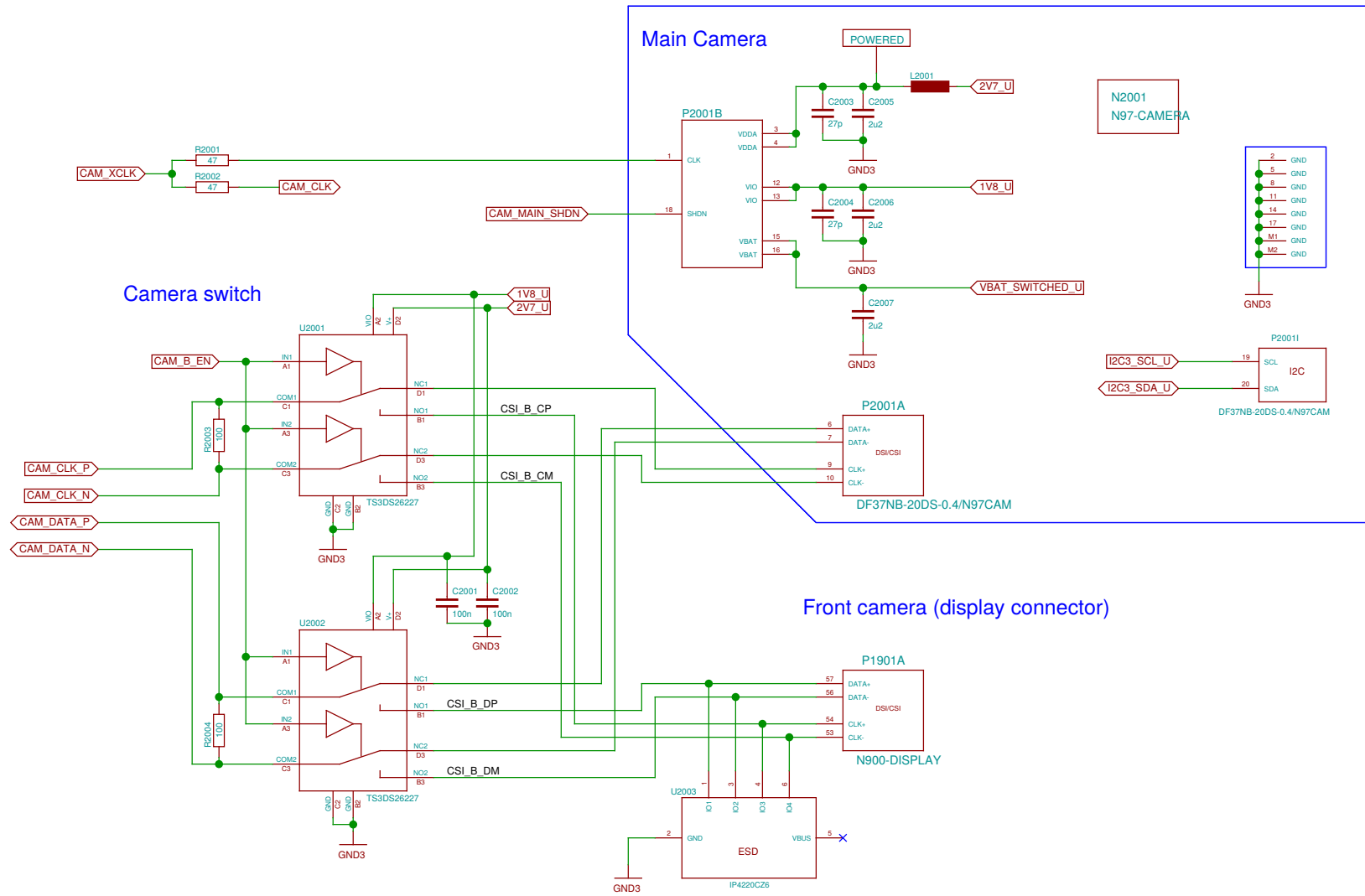


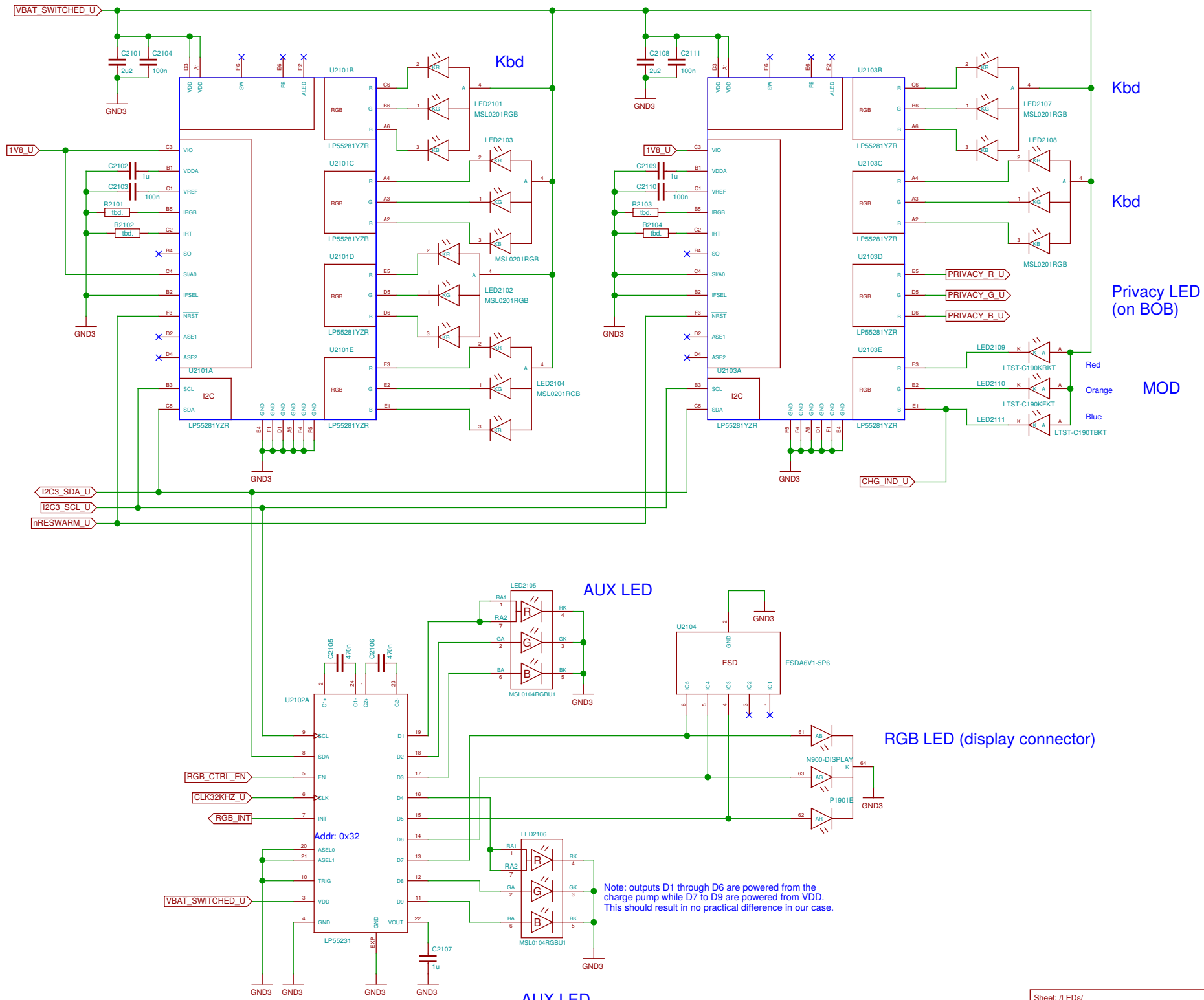
LCD_LEDS_PWM shall connect to TWL4030, GPIO6/PWM0, ball M4.

N900 has 22k pull-up to 1V8 on PROXY. SFH7741 data sheet says 10 kOhm to 1 MOhm is fine, so we just leave the pulling to the OMAP, Ipull(min) = 50 uA = 36 kOhm @ 1.8 V.

Not shown here: Camera, LEDs

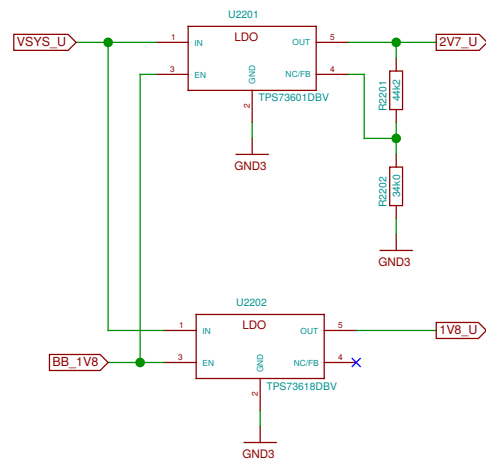
Sheet: /Display/ File: display.sch		Date: 2016-11-18 04:02:08		Rev:
Title: Display				Id: 19/25
Size: A3		Plotted by eeshow a9b66dd+ 20161113-21:01Z		





Sheet: /LEDs/		Date: 2016-11-14 02:39:53	
File: leds.sch		Rev: 1	
Title: LEDs			
Size: A3	Date: 2016-11-14 02:39:53		Rev: 1
Plotted by eeshow a9b66dd+ 20161113-21:01Z			Id: 21/25

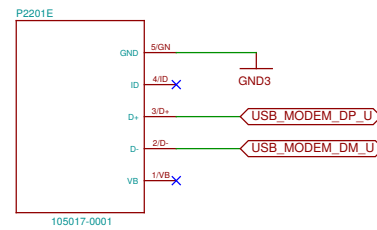
simple capless 400mA LDO for TPS65950 substitute
(only for prototype)



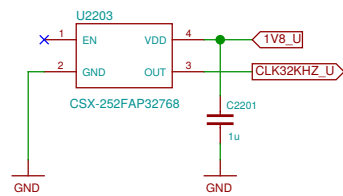
TODO: use REGEN ?

Modem USB

connect to BB
by some Micro-USB cable

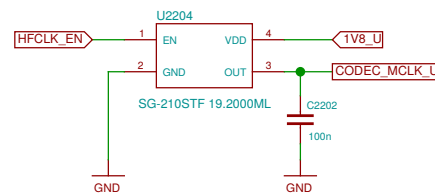


32 kHz clock



Alternative: OYKTGLJANF-0.032768

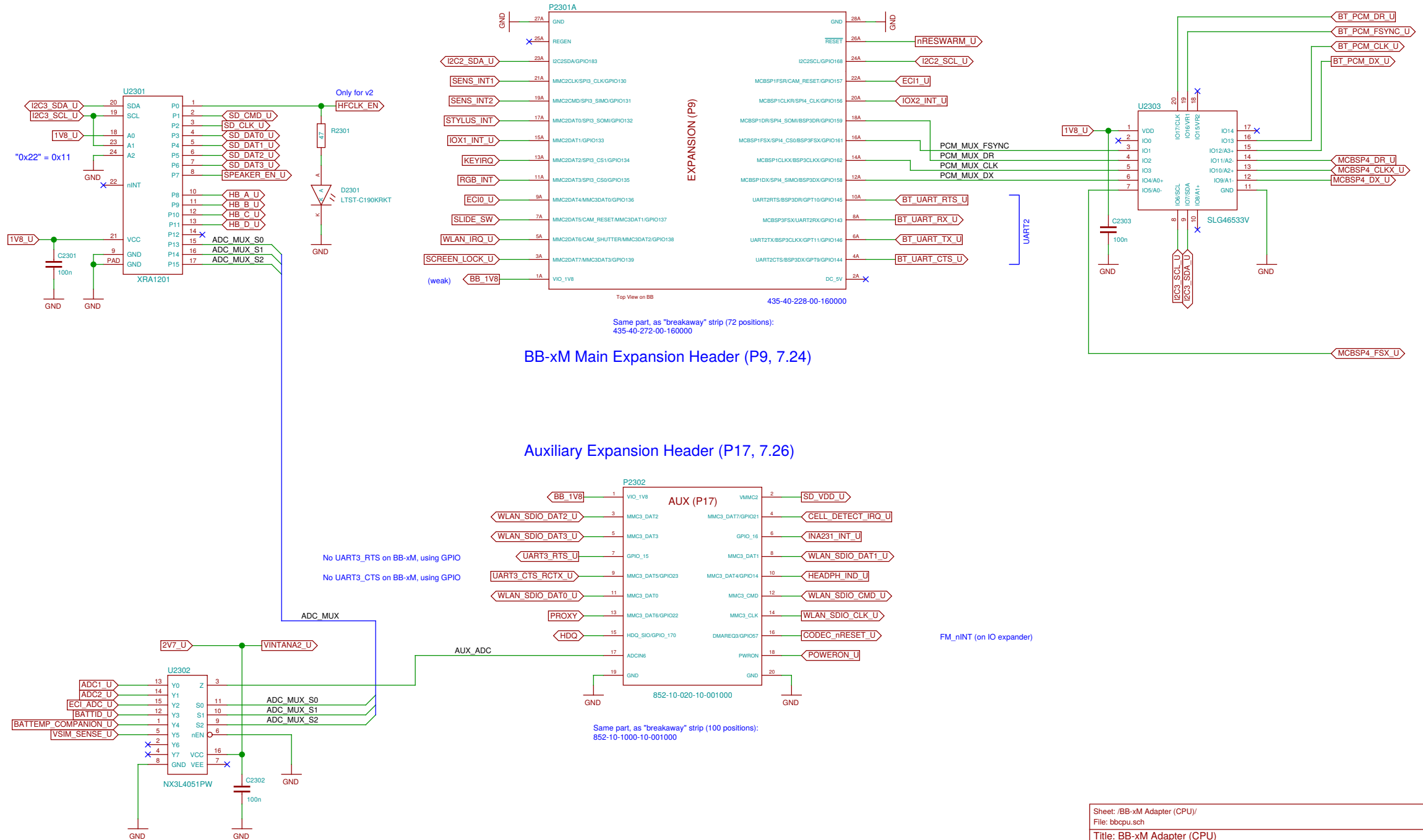
19.2 MHz clock



Alternative: KC2520B19.2000C1GE00

Sheet: /Adaptation (v2 only)/		
File: v2.sch		
Title: Adaptation (v2 only)		
Size: A3	Date: 2016-11-14 02:39:53	Rev:
Plotted by eeshow a9b66dd+ 20161113-21:01Z		Id: 22/25

TODO: update pin names in footprint

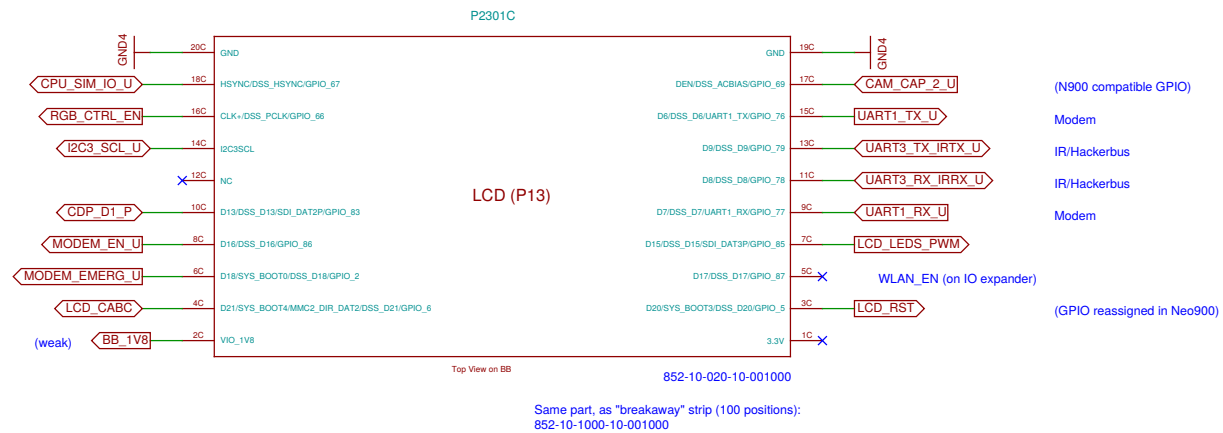


TODO: update pin names in footprint

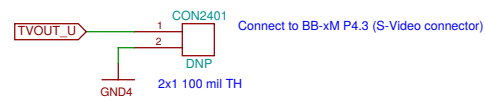
P11 (7.25)



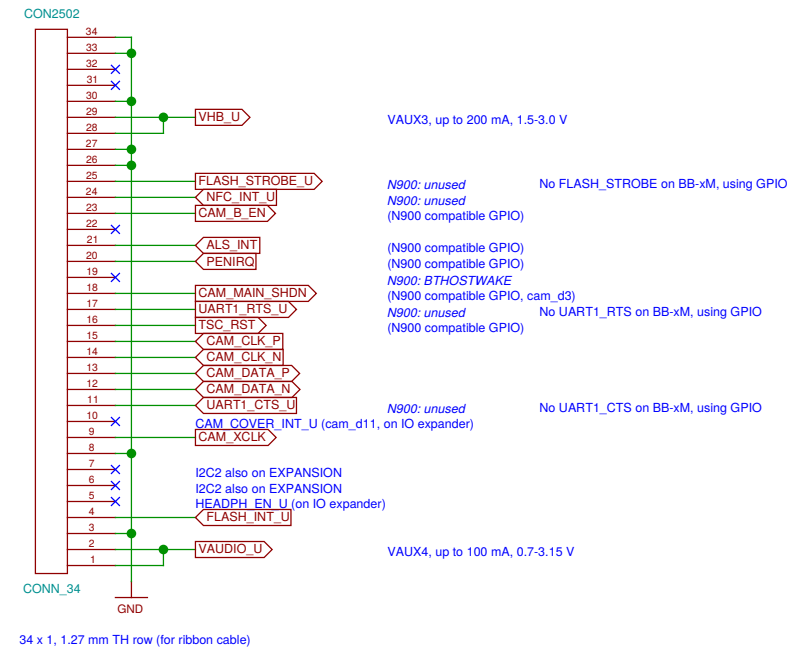
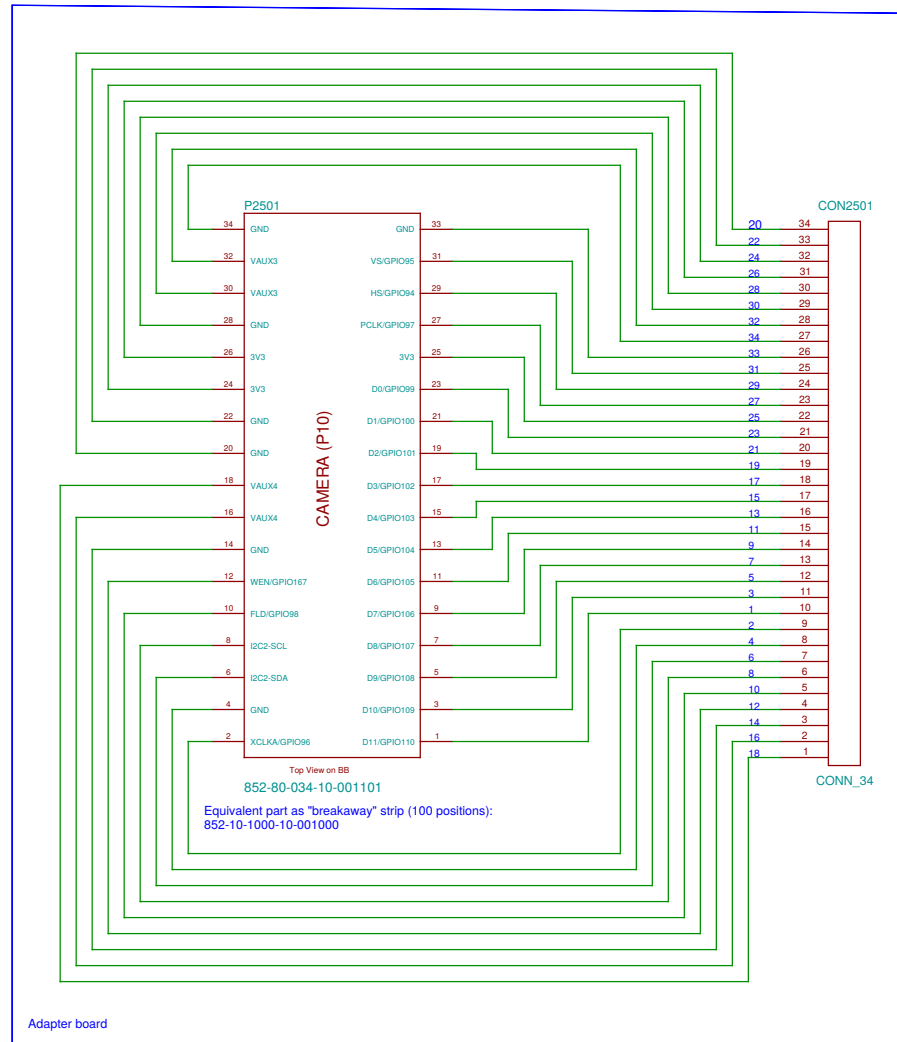
P13 (7.25)



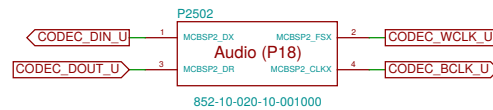
P4 (7.19)



Processor Camera Port Interface (P10, 7.20.3)



TODO: update pin names in footprint



This part is a "breakaway" strip (20 positions) and needs to be customized (cut) before assembly.
Alternatively, 852-10-100-10-001000 (100 positions) could be used.

Sheet: /BB-xM Adapter (CAM)/
File: bbcam.sch

Title: BB-xM Adapter (CAM)

Size: A3 Date: 2016-11-15 06:02:28

Plotted by eeshow a9b66dd+ 20161113-21:01Z

Rev:
Id: 25/25