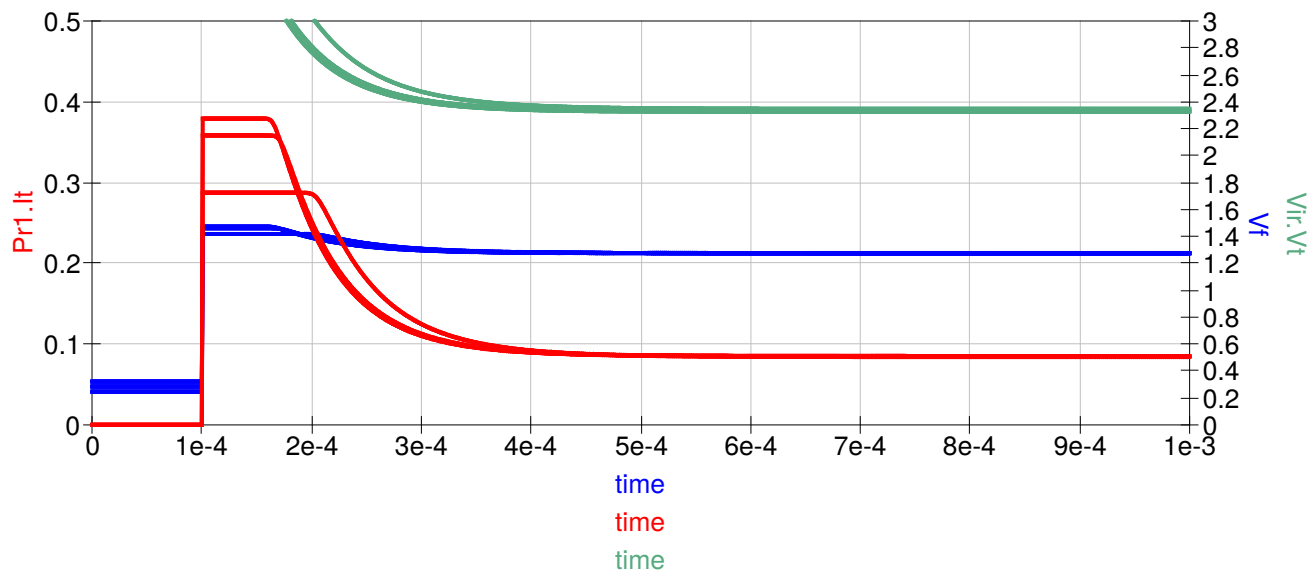
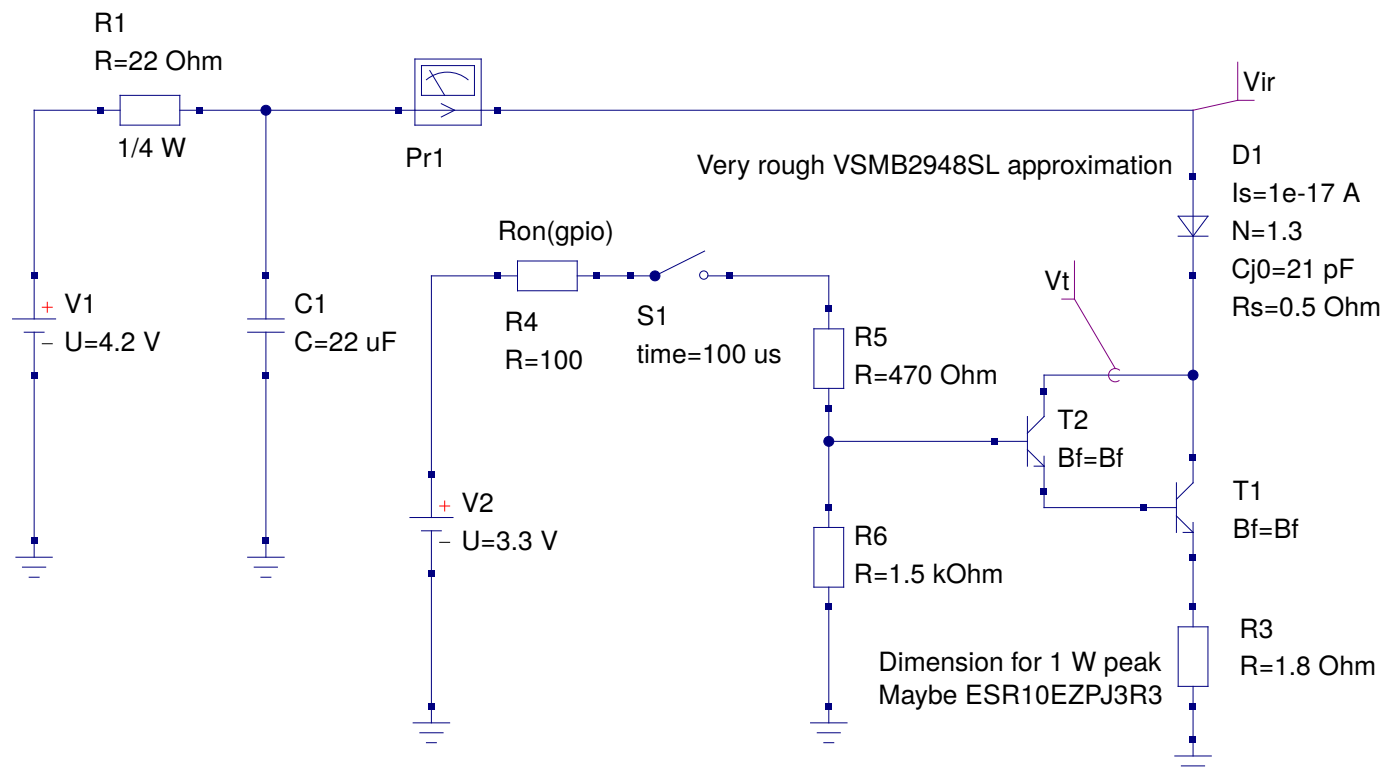


transient simulation

TR1
Type=lin
Start=0
Stop=1 ms

Parameter sweep

SW1
Sim=TR1
Type=list
Param=Bf
Values=[30; 100; 300]



Equation
Eqn1
 $V_f = V_{ir} \cdot V_t - V_t \cdot V_t$