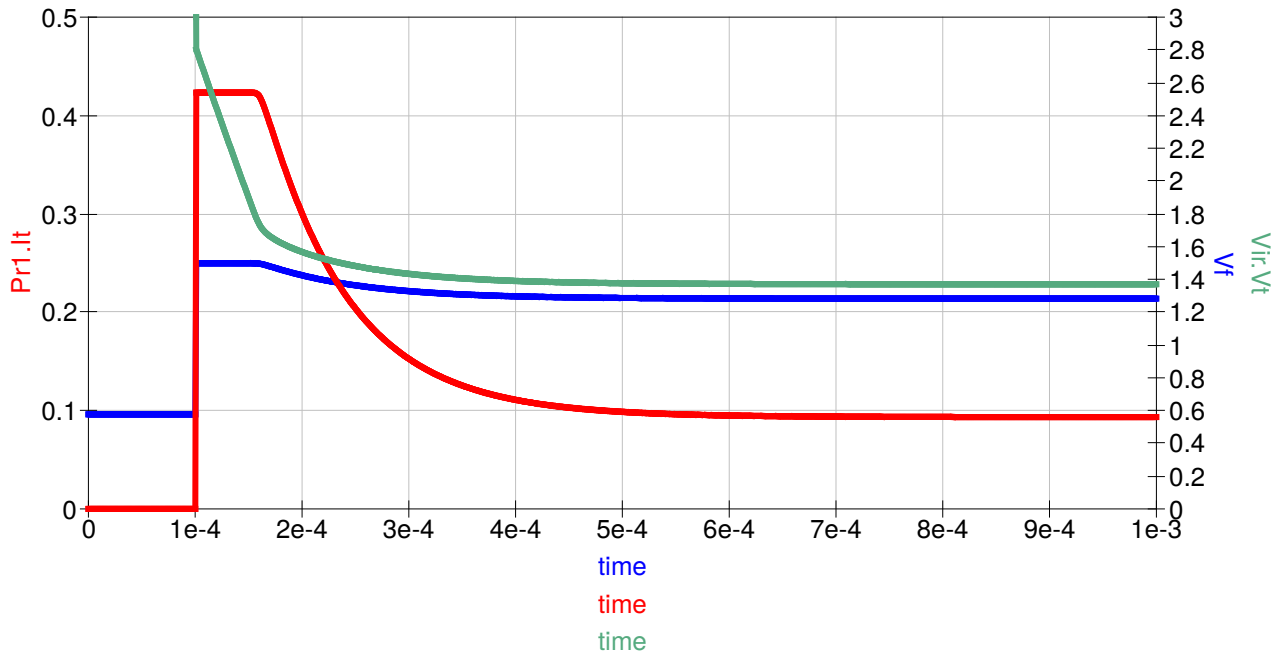
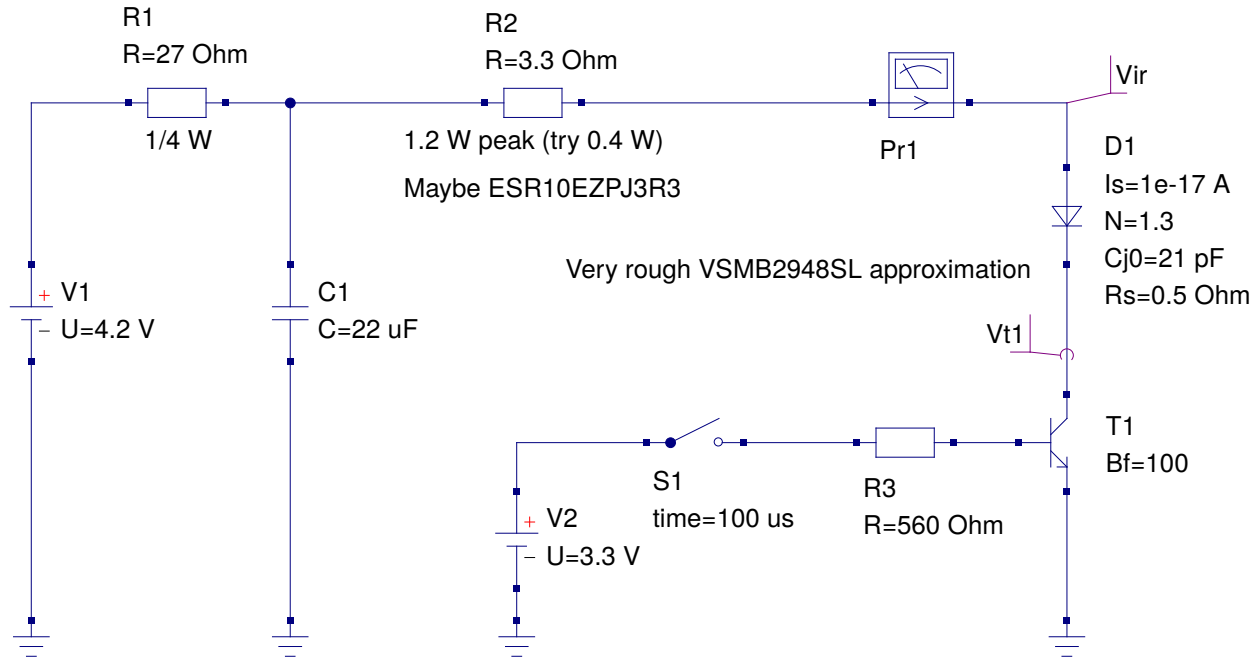


transient simulation

TR1
Type=lin
Start=0
Stop=1 ms



Equation
Eqn1
 $V_f = V_{ir} \cdot V_t - V_{t1} \cdot V_t$