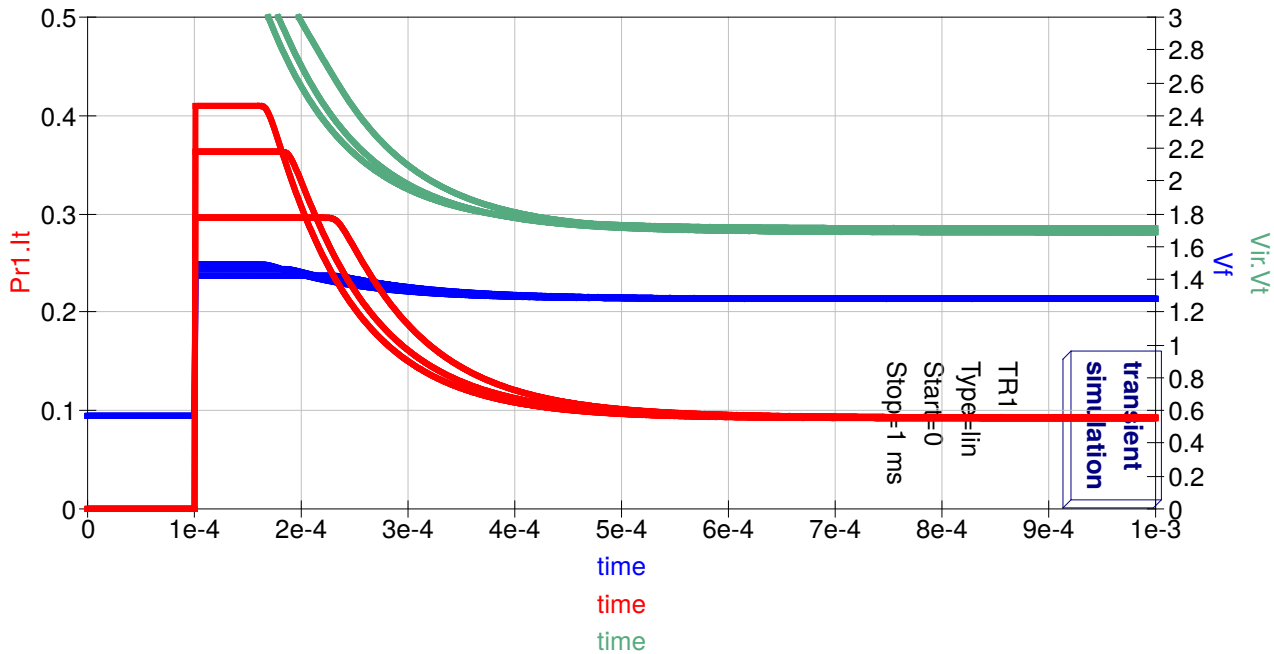
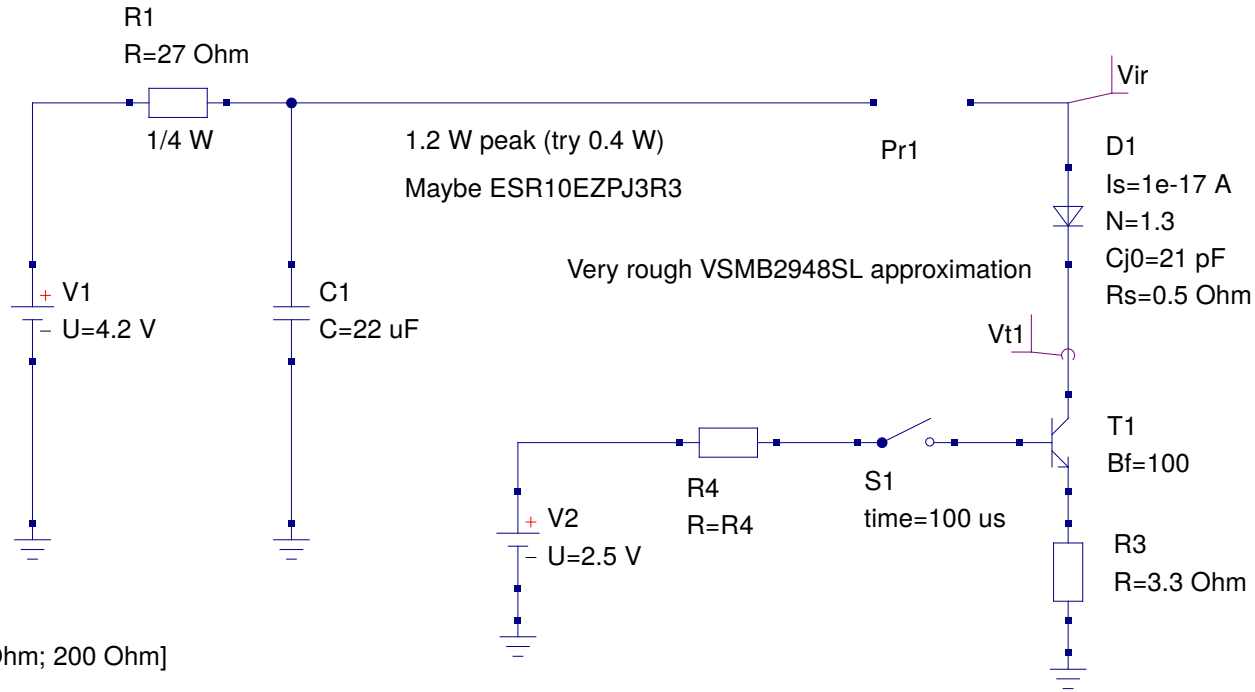


Parameter sweep

SW1
 Sim=TR1
 Type=list
 Param=R4
 Values=[50 Ohm; 100 Ohm; 200 Ohm]



Equation
 Eqn1
 $V_f = V_{ir} \cdot V_t - V_t \cdot V_t$