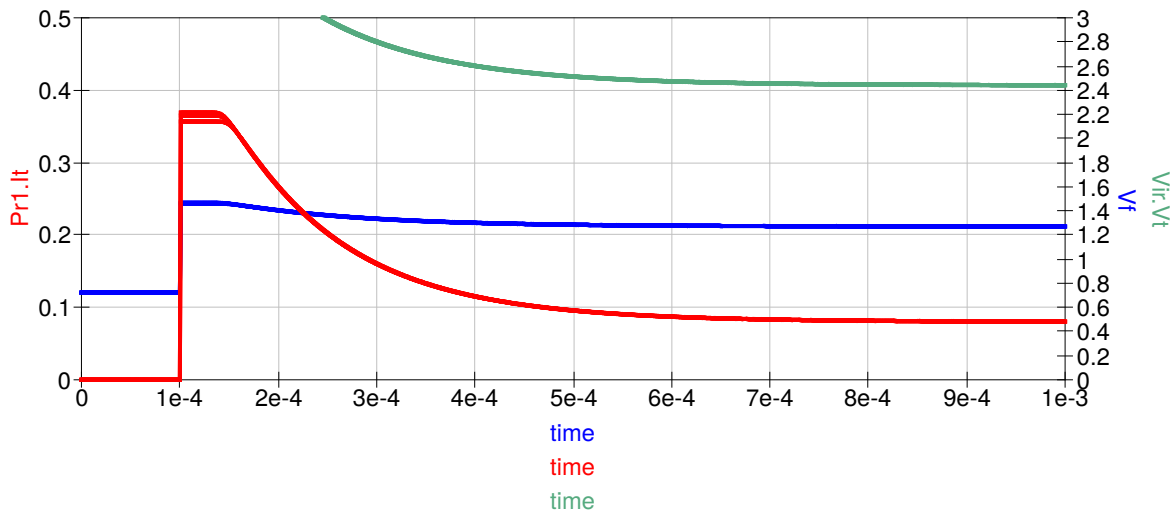
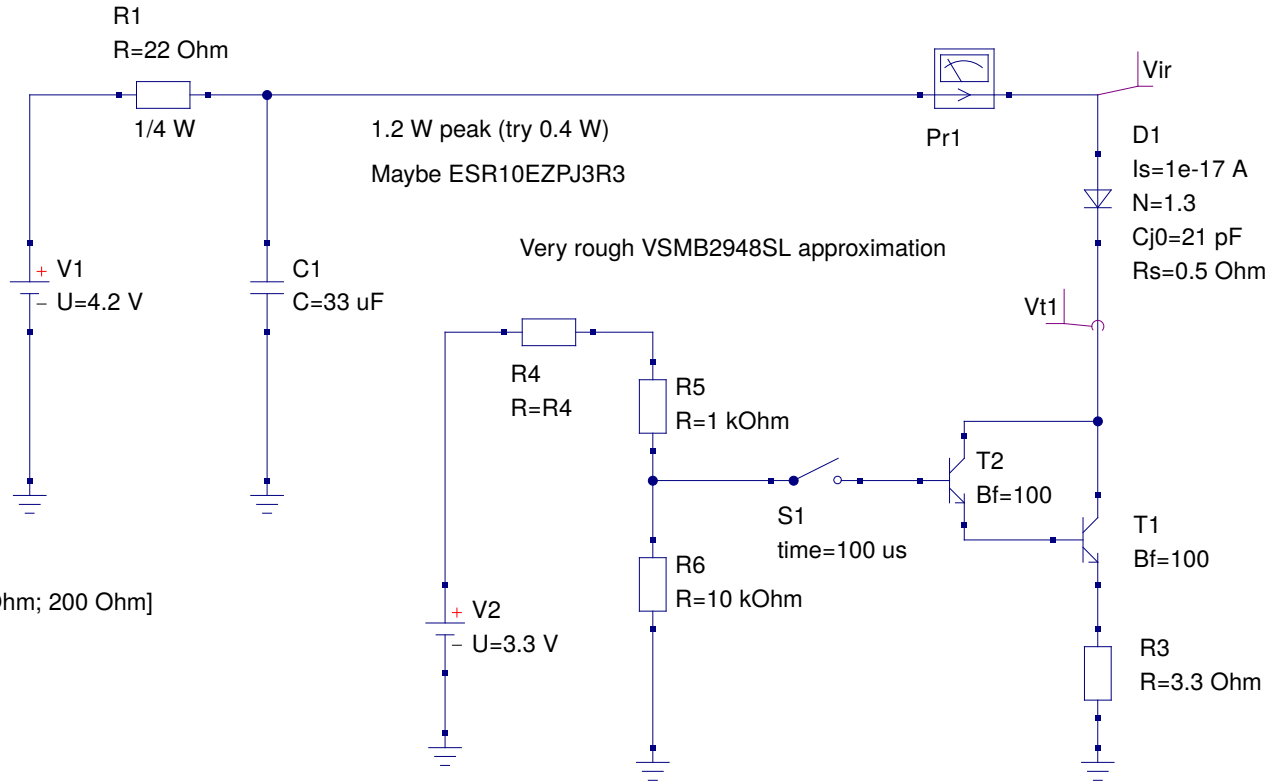


**transient simulation**

TR1  
Type=lin  
Start=0  
Stop=1 ms

**Parameter sweep**

SW1  
Sim=TR1  
Type=list  
Param=R4  
Values=[50 Ohm; 100 Ohm; 200 Ohm]



**Equation**

Eqn1  
 $V_f = V_{ir} \cdot V_t - V_{t1} \cdot V_t$